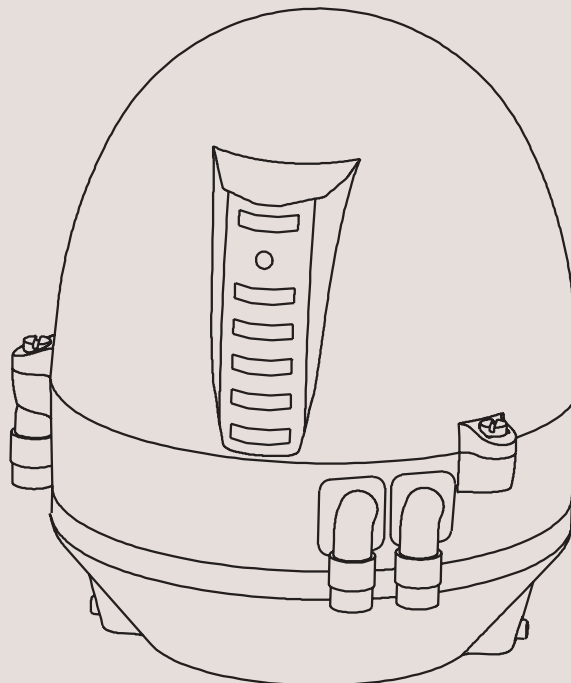




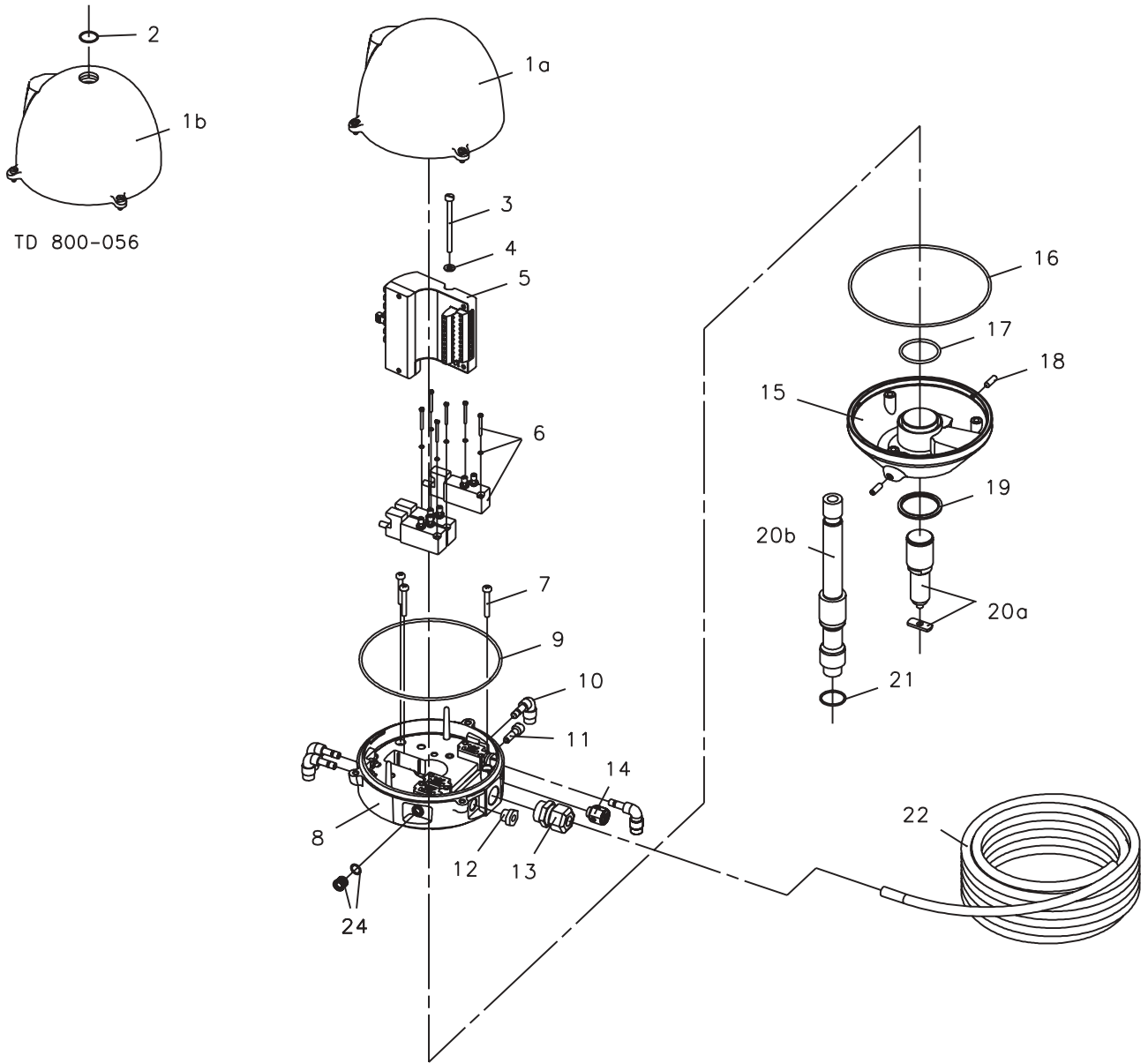
Spare Parts

ThinkTop[®]

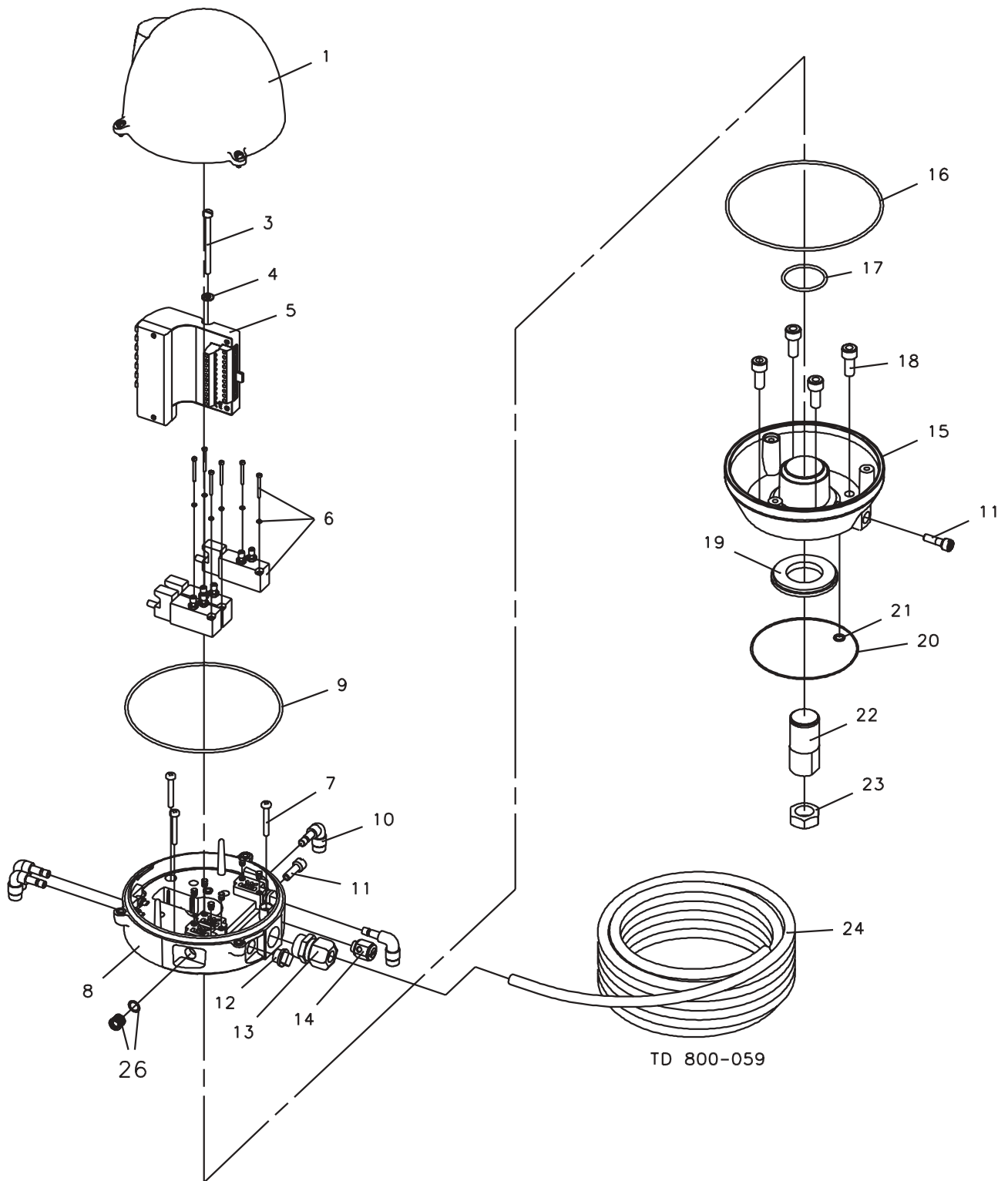
This sparepart covers the instruction manuals IM70824, IM70825, IM70826, IM70827 and the installation instructions IM70830, IM70836, IM70839, IM70854, IM70851, IM70855, IM70852 and IM70853.



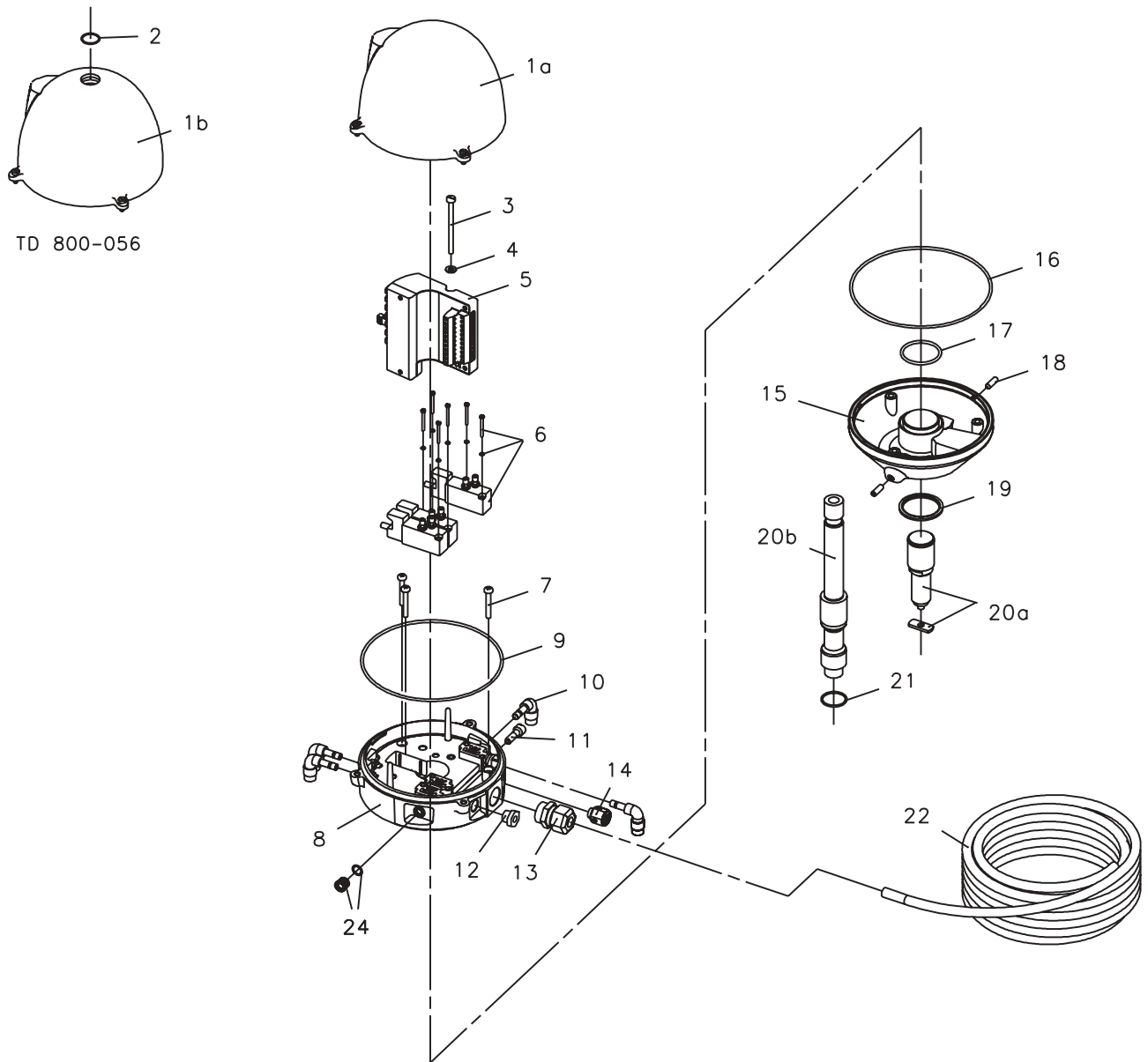
TD 800-006



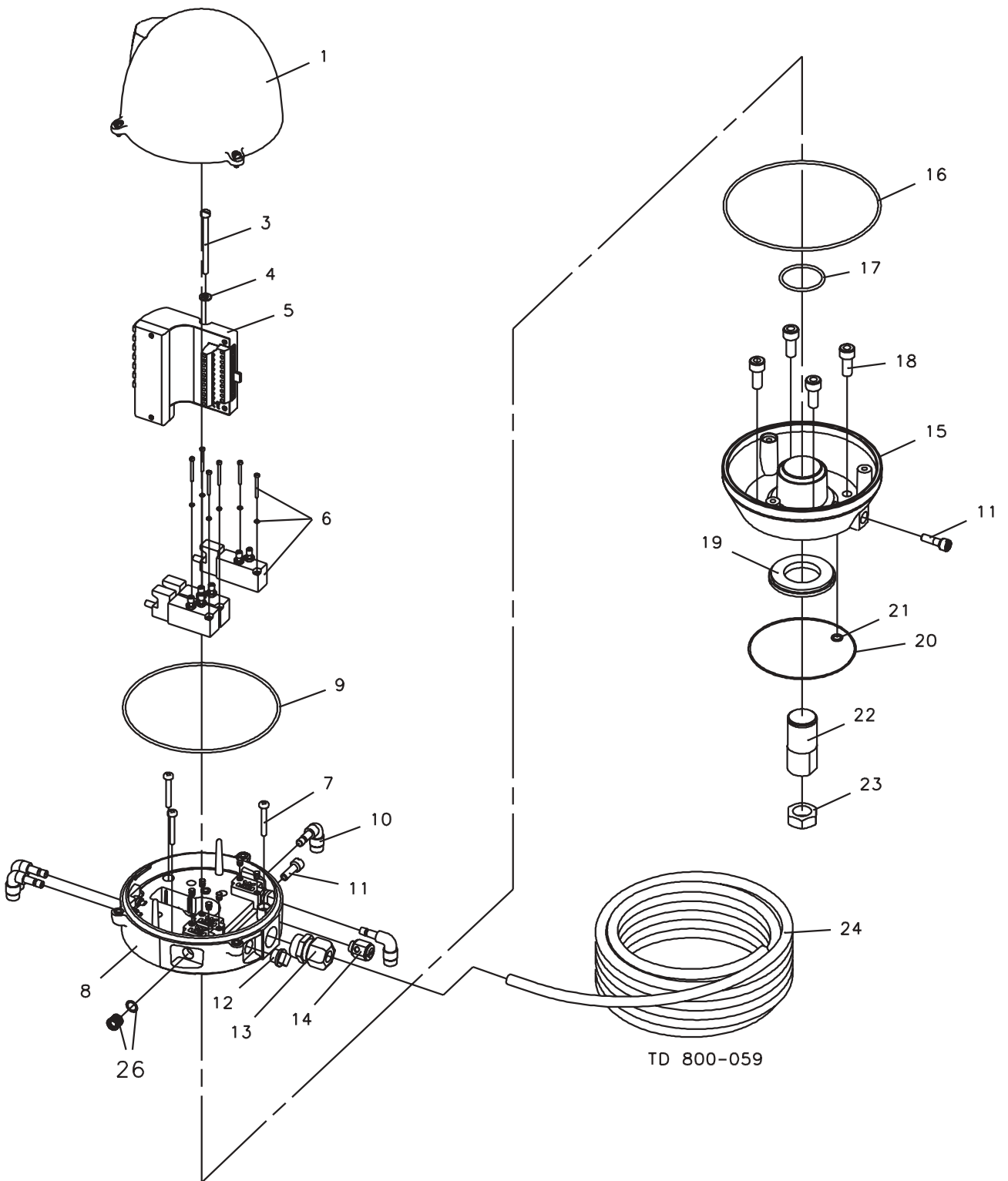
Pos.	Qty.	Denomination	SRC, SRC-LS, ARC SMP-BC, SMP-SC SF, Unique Mixproof, SMP-TO, LKB (LKLA-T), Koltek MH, AMP, SBV		SMP-EC	Ø6 mm Air connection	1/4" Air connection
1a	1	Shell complete.....	9612-5616-01				
1b	1	Shell complete.....		9612-5616-02			
2	1	O-ring, NBR		9611-99-2129			
3	1	Screw.....	9611-99-3458	9611-99-3458			
4	1	Washer.....	9611-99-3459	9611-99-3459			
5	1	Sensor unit Digital 8-30 VDC PNP/NPN	9612-5627-01	9612-5627-01			
6	1-3	Solenoid valve 3/2, 24 VDC	9611-99-3324	9611-99-3324			
	1-3	Solenoid valve 3/2, 24 VAC	9611-99-3325	9611-99-3325			
	1-3	Solenoid valve 3/2, 110 VAC	9611-99-3326	9611-99-3326			
	1	Solenoid valve 5/2, 24 VDC	9611-99-3327	9611-99-3327			
	1	Solenoid valve 5/2, 24 VAC	9611-99-3328	9611-99-3328			
	1	Solenoid valve 5/2, 110 VAC	9611-99-3329	9611-99-3329			
7	3	PT screw.....	9611-99-3457	9611-99-3457			
8	1	Base complete, no solenoids				9612-5619-01	9612-5762-01
		(Pos.9,12,13,14 included).....					
	1	Base complete, 3/2 24 VDC, one solenoid				9612-5619-02	9612-5762-02
		(Pos.9,10,11,12,13,14 included).....					
	1	Base complete, 3/2 24 VDC, two solenoids				9612-5619-08	9612-5762-08
		(Pos.9,10,11,12,13,14 included).....					
	1	Base complete, 3/2 24 VDC, three solenoids				9612-5619-11	9612-5762-11
		(Pos.9,10,11,12,13,14 included).....					
	1	Base complete, 5/2 24 VDC, one solenoid				9612-5619-03	9612-5762-03
		(Pos.9,10,11,12,13,14 included).....					
	1	Base complete, 3/2 24 VAC, one solenoid				9612-5619-04	9612-5762-04
		(Pos.9,10,11,12,13,14 included).....					
	1	Base complete, 3/2 24 VAC, two solenoids.....				9612-5619-09	9612-5762-09
		(Pos.9,10,11,12,13,14 included).....					
	1	Base complete, 3/2 24 VAC, three solenoids.....				9612-5619-12	9612-5762-12
		(Pos.9,10,11,12,13,14 included).....					
	1	Base complete, 5/2 24 VAC, one solenoid				9612-5619-05	9612-5762-05
		(Pos.9,10,11,12,13,14 included).....					
	1	Base complete, 3/2 110 VAC, one solenoid				9612-5619-06	9612-5762-06
		(Pos.9,10,11,12,13,14 included).....					
	1	Base complete, 3/2 110 VAC, two solenoids.....				9612-5619-10	9612-5762-10
		(Pos.9,10,11,12,13,14 included).....					
	1	Base complete, 3/2 110 VAC, three solenoids.....				9612-5619-13	9612-5762-13
		(Pos.9,10,11,12,13,14 included).....					
	1	Base complete, 5/2 110 VAC, one solenoid				9612-5619-07	9612-5762-07
		(Pos.9,10,11,12,13,14 included).....					
	1	Base prepared for no solenoids				9612-5620-01	9612-5761-01
	1	Base prepared for one 3/2 port solenoid				9612-5620-02	9612-5761-02
	1	Base prepared for two 3/2 port solenoids.....				9612-5620-04	9612-5761-04
	1	Base prepared for three 3/2 port solenoids.....				9612-5620-05	9612-5761-05
	1	Base prepared for one 5/2 port solenoid				9612-5620-03	9612-5761-03
	1	Base prepared for one 5/2 and one 3/2 port solenoid		9612-5620-06		9612-5761-06	
	1	Base prepared for one 5/2 and two 3/2 port solenoids				9612-5620-07	9612-5761-07
9	1	Special X-ring	9612-9994-01	9612-9994-01			
10	1	Air fitting				9611-99-3405	9611-99-3433
11	1	Blow-off valve	9612-5636-01	9612-5636-01			
12	1	Thread plug, PG7	9611-99-3407	9611-99-3407			
13	1	Cable gland, PG11 4-10 mm.....	9611-99-3517	9611-99-3517			
14	1	Pressure control valve, 1/8"	9611-99-2928	9611-99-2928			
15	1	Adapter complete (Pos. 17,18,19 included).....	9612-5621-01	9612-5621-01			
	1	Adapter	9612-5622-01	9612-5622-01			
16	1	Special X-ring	9612-9994-01	9612-9994-01			
17	1	O-ring.....	9611-99-3350	9611-99-3350			
18	2	Allen screw.....	9611-99-3409	9611-99-3409			
19	1	Special X-ring	9612-5696-01	9612-5696-01			
20a	1	Indication pin complete	9612-5623-01				
	1	Indication pin complete for SRC-LS: only stop valves size 63.5-101.6mm/DN65-100	9612-6370-01				
20b	1	Indication pin complete		9612-5625-01			
21	1	O-ring, EPDM.....		223403-80			
22	1	5m. flying PVC cable (12x0.5 mm ²)Digital	9611-99-3627	9611-99-3627			
24	1	Air fitting incl. O-ring				9611-99-3404	9611-99-3434



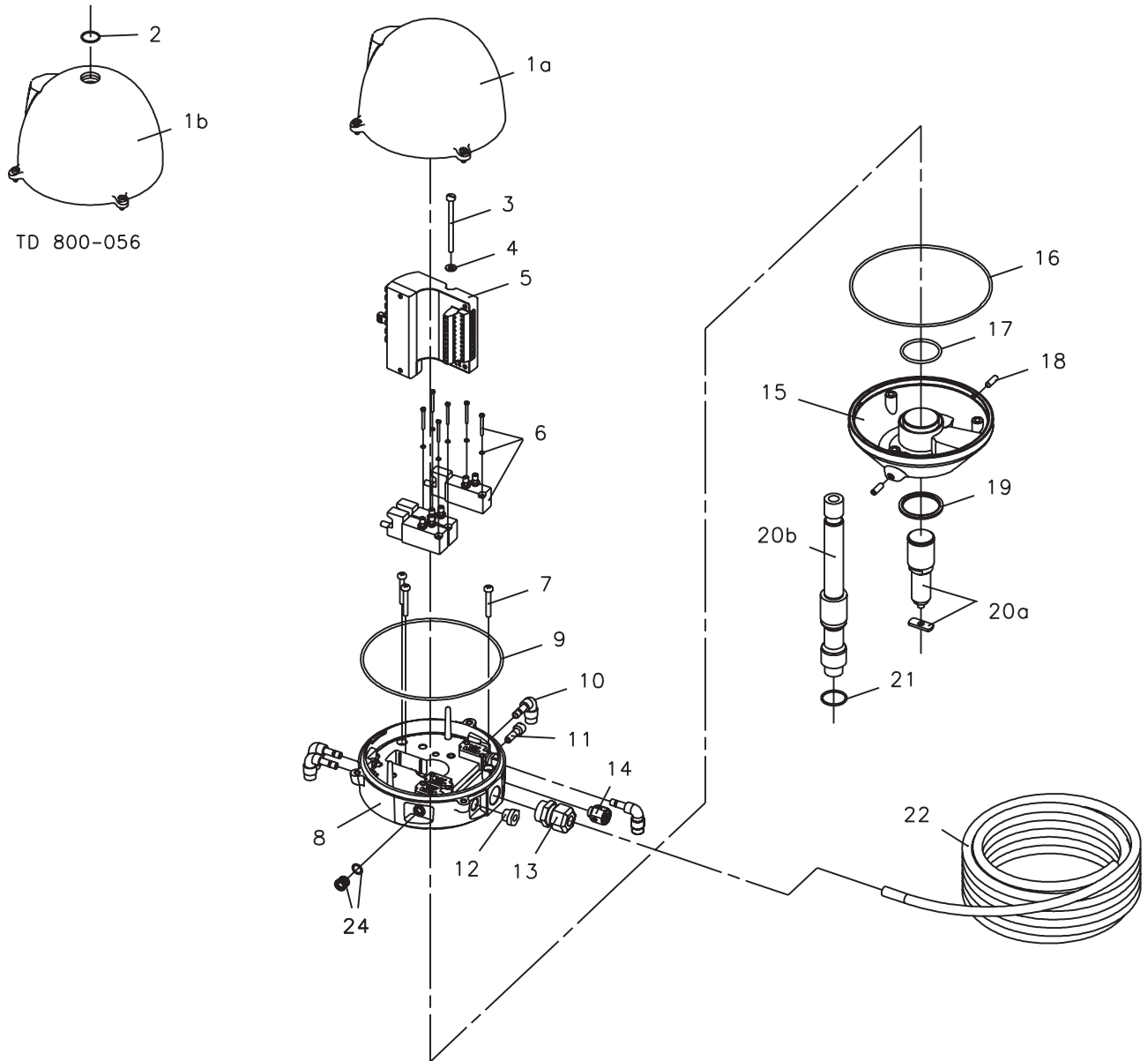
Pos.	Qty.	Denomination	1/4" Air connection
1	1	Shell complete.....	9612-5616-01
3	1	Screw.....	9611-99-3458
4	1	Washer.....	9611-99-3459
5	1	Sensor unit Digital 8-30 VDC PNP/NPN	9612-5627-01
6	1-3	Solenoid valve 3/2, 24 VDC.....	9611-99-3324
	1-3	Solenoid valve 3/2, 24 VAC	9611-99-3325
	1-3	Solenoid valve 3/2, 110 VAC	9611-99-3326
	1	Solenoid valve 5/2, 24 VDC.....	9611-99-3327
	1	Solenoid valve 5/2, 24 VAC	9611-99-3328
	1	Solenoid valve 5/2, 110 VAC	9611-99-3329
7	3	PT screw	9611-99-3457
8	1	Base complete, no solenoids	9612-5762-01
		(Pos.9,12,13,14 included)	
	1	Base complete, 3/2 24 VDC, one solenoid	9612-5762-02
		(Pos.9,10,11,12,13,14 included)	
	1	Base complete, 3/2 24 VDC, two solenoids	9612-5762-08
		(Pos.9,10,11,12,13,14 included)	
	1	Base complete, 3/2 24 VDC, three solenoids	9612-5762-11
		(Pos.9,10,11,12,13,14 included)	
	1	Base complete, 5/2 24 VDC, one solenoid	9612-5762-03
		(Pos.9,10,11,12,13,14 included)	
	1	Base complete, 3/2 24 VAC, one solenoid	9612-5762-04
		(Pos.9,10,11,12,13,14 included)	
	1	Base complete, 3/2 24 VAC, two solenoids.....	9612-5762-09
		(Pos.9,10,11,12,13,14 included)	
	1	Base complete, 3/2 24 VAC, three solenoids.....	9612-5762-12
		(Pos.9,10,11,12,13,14 included)	
	1	Base complete, 5/2 24 VAC, one solenoid	9612-5762-05
		(Pos.9,10,11,12,13,14 included)	
	1	Base complete, 3/2 110 VAC, one solenoid	9612-5762-06
		(Pos.9,10,11,12,13,14 included)	
	1	Base complete, 3/2 110 VAC, two solenoids.....	9612-5762-10
		(Pos.9,10,11,12,13,14 included)	
	1	Base complete, 3/2 110 VAC, three solenoids.....	9612-5762-13
		(Pos.9,10,11,12,13,14 included)	
	1	Base complete, 5/2 110 VAC, one solenoid	9612-5762-07
		(Pos.9,10,11,12,13,14 included)	
	1	Base prepared for no solenoids	9612-5761-01
	1	Base prepared for one 3/2 port solenoid	9612-5761-02
	1	Base prepared for two 3/2 port solenoids.....	9612-5761-04
	1	Base prepared for three 3/2 port solenoids.....	9612-5761-05
	1	Base prepared for one 5/2 port solenoid	9612-5761-03
	1	Base prepared for one 5/2 and one 3/2 port solenoid	9612-5761-06
	1	Base prepared for one 5/2 and two 3/2 port solenoids.....	9612-5761-07
9	1	Special X-ring	9612-9994-01
10	1	Air fitting	9611-99-3433
11	2	Blow-off valve.....	9612-5636-01
12	1	Thread plug, PG7	9611-99-3407
13	1	Cable gland, PG11 4-10 mm.....	9611-99-3517
14	1	Pressure control valve, 1/8"	9611-99-2928
15	1	Adapter complete (pos. 11, 16, 17 included)	9612-6358-02
16	1	Special X-ring	9612-9994-01
17	1	O-ring.....	9611-99-3350
18	4	Screw.....	9611-99-3763
19	1	Retainer.....	9611-99-4203
20	1	O-ring.....	9611-99-3689
21	1	O-ring.....	9611-99-3690
22	1	Indicator pin	9612-6357-02
23	1	Nut	9611-99-3764
24	1	5m flying PVC cable (12x0.5 mm ²) Digital	9611-99-3627
26	1	Air fitting incl. O-ring	9611-99-3434



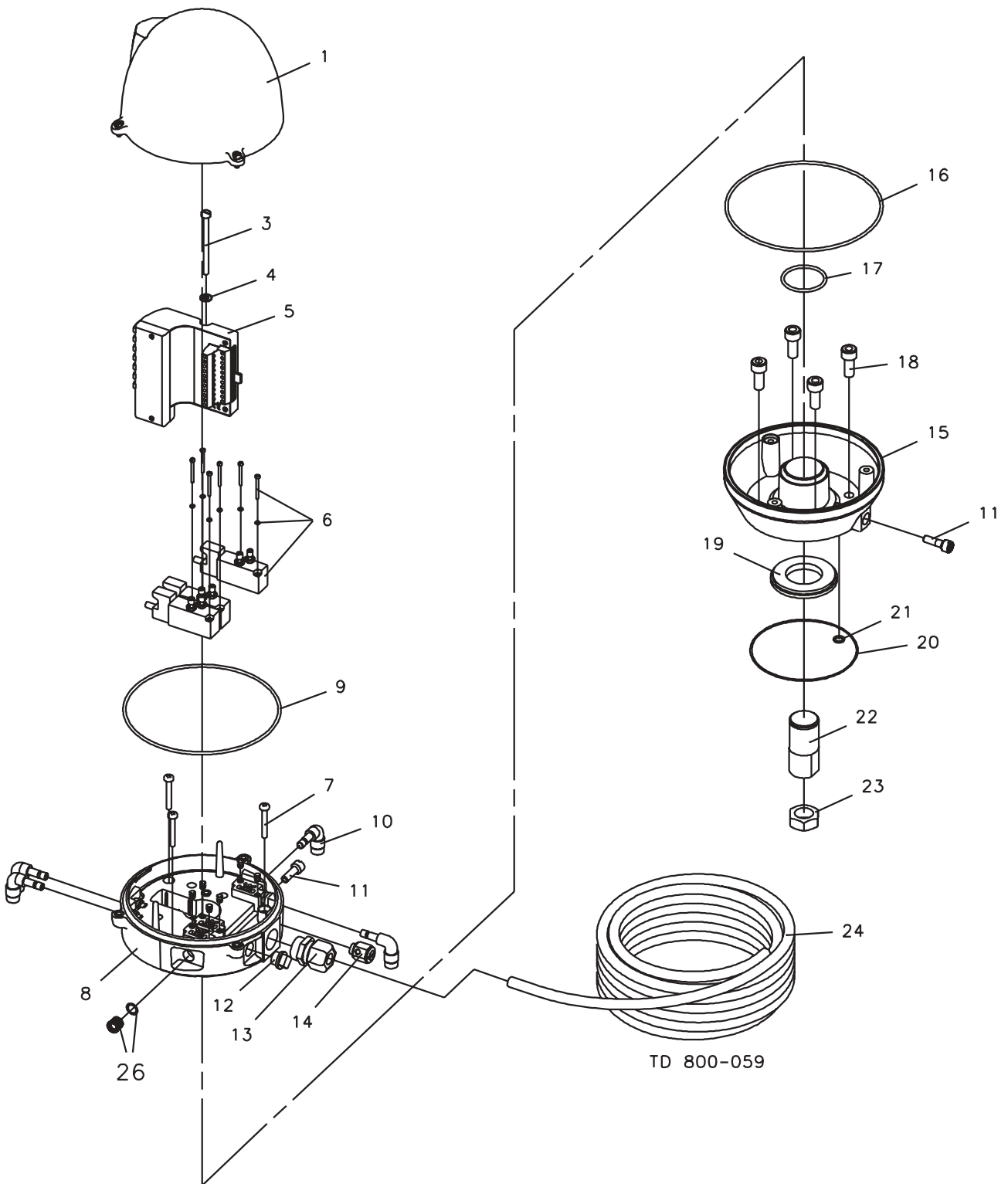
Pos.	Qty.	Denomination	SRC, SRC-LS, ARC SMP-BC, SMP-SC SF, Unique Mixproof, SMP-TO, LKB (LKLA-T), Koltek MH, AMP, SBV		SMP-EC	Ø6 mm	1/4"
			Air connection	Air connection			
1a	1	Shell complete	9612-5616-01				
1b	1	Shell complete		9612-5616-02			
2	1	O-ring, NBR		9611-99-2129			
3	1	Screw	9611-99-3458	9611-99-3458			
4	1	Washer	9611-99-3459	9611-99-3459			
5	1	Sensor unit Digital 8-30 VAC NO/NC	9612-5627-02	9612-5627-02			
6	1-3	Solenoid valve 3/2, 24 VDC	9611-99-3324	9611-99-3324			
	1-3	Solenoid valve 3/2, 24 VAC	9611-99-3325	9611-99-3325			
	1-3	Solenoid valve 3/2, 110 VAC	9611-99-3326	9611-99-3326			
	1	Solenoid valve 5/2, 24 VDC	9611-99-3327	9611-99-3327			
	1	Solenoid valve 5/2, 24 VAC	9611-99-3328	9611-99-3328			
	1	Solenoid valve 5/2, 110 VAC	9611-99-3329	9611-99-3329			
7	3	PT screw	9611-99-3457	9611-99-3457			
8	1	Base complete, no solenoids				9612-5619-01	9612-5762-01
		(Pos.9,12,13,14 included)					
	1	Base complete, 3/2 24 VDC, one solenoids				9612-5619-02	9612-5762-02
		(Pos.9,10,11,12,13,14 included)					
	1	Base complete, 3/2 24 VDC, two solenoids				9612-5619-08	9612-5762-08
		(Pos.9,10,11,12,13,14 included)					
	1	Base complete, 3/2 24 VDC, three solenoids				9612-5619-11	9612-5762-11
		(Pos.9,10,11,12,13,14 included)					
	1	Base complete, 5/2 24 VDC, one solenoid				9612-5619-03	9612-5762-03
		(Pos.9,10,11,12,13,14 included)					
	1	Base complete, 3/2 24 VAC, one solenoids				9612-5619-04	9612-5762-04
		(Pos.9,10,11,12,13,14 included)					
	1	Base complete, 3/2 24 VAC, two solenoids				9612-5619-09	9612-5762-09
		(Pos.9,10,11,12,13,14 included)					
	1	Base complete, 3/2 24 VAC, three solenoids				9612-5619-12	9612-5762-12
		(Pos.9,10,11,12,13,14 included)					
	1	Base complete, 5/2 24 VAC, one solenoid				9612-5619-05	9612-5762-05
		(Pos.9,10,11,12,13,14 included)					
	1	Base complete, 3/2 110 VAC, one solenoid				9612-5619-06	9612-5762-06
		(Pos.9,10,11,12,13,14 included)					
	1	Base complete, 3/2 110 VAC, two solenoids				9612-5619-10	9612-5762-10
		(Pos.9,10,11,12,13,14 included)					
	1	Base complete, 3/2 110 VAC, three solenoids				9612-5619-13	9612-5762-13
		(Pos.9,10,11,12,13,14 included)					
	1	Base complete, 5/2 110 VAC, one solenoid				9612-5619-07	9612-5762-07
		(Pos.9,10,11,12,13,14 included)					
	1	Base prepared for no solenoids				9612-5620-01	9612-5761-01
	1	Base prepared for one 3/2 port solenoid				9612-5620-02	9612-5761-02
	1	Base prepared for two 3/2 port solenoids				9612-5620-04	9612-5761-04
	1	Base prepared for three 3/2 port solenoids				9612-5620-05	9612-5761-05
	1	Base prepared for one 5/2 port solenoid				9612-5620-03	9612-5761-03
	1	Base prepared for one 5/2 and one 3/2 port solenoid				9612-5620-06	9612-5761-06
	1	Base prepared for one 5/2 and two 3/2 port solenoids				9612-5620-07	9612-5761-07
9	1	Special X-ring	9612-9994-01	9612-9994-01			
10	1	Air fitting				9611-99-3405	9611-99-3433
11	1	Blow-off valve	9612-5636-01	9612-5636-01			
12	1	Thread plug, PG7	9611-99-3407	9611-99-3407			
13	1	Cable gland, PG11 4-10 mm	9611-99-3517	9611-99-3517			
14	1	Pressure control valve, 1/8"	9611-99-2928	9611-99-2928			
15	1	Adapter complete (Pos. 17,18,19 included)	9612-5621-01	9612-5621-01			
	1	Adapter	9612-5622-01	9612-5622-01			
16	1	Special X-ring	9612-9994-01	9612-9994-01			
17	1	O-ring	9611-99-3350	9611-99-3350			
18	2	Allen screw	9611-99-3409	9611-99-3409			
19	1	Special X-ring	9612-5696-01	9612-5696-01			
20a	1	Indication pin complete	9612-5623-01				
	1	Indication pin complete for SRC-LS: only stop valves size 63.5-101.6mm/DN65-100	9612-6370-01				
20b	1	Indication pin complete		9612-5625-01			
21	1	O-ring, EPDM		223403-80			
22	1	5m. flying PVC cable (12x0.5 mm ²) Digital	9611-99-3627	9611-99-3627			
24	1	Air fitting incl. O-ring				9611-99-3404	9611-99-3434



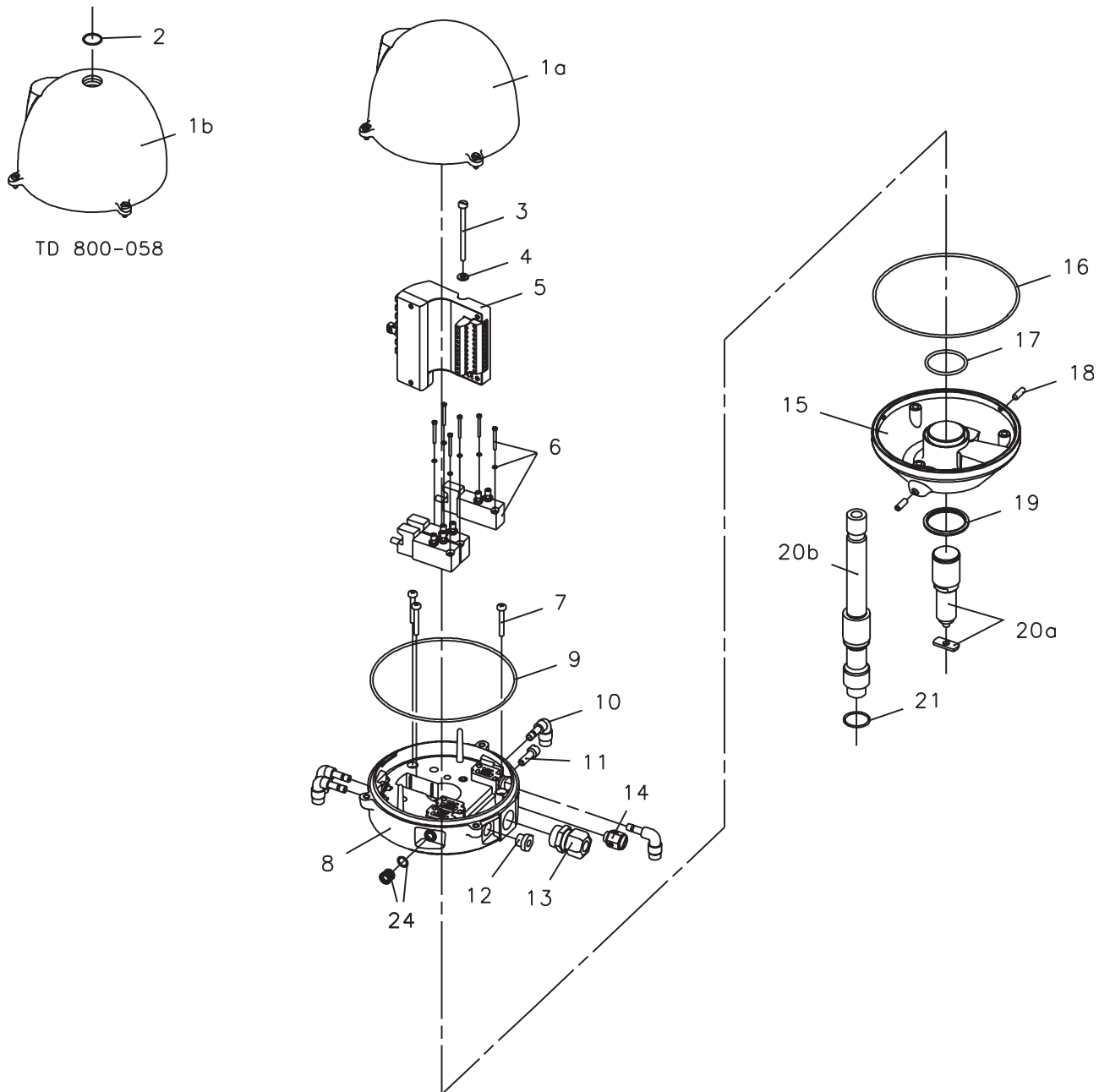
Pos.	Qty.	Denomination	1/4" Air connection
1	1	Shell complete.....	9612-5616-01
3	1	Screw.....	9611-99-3458
4	1	Washer.....	9611-99-3459
5	1	Sensor unit Digital 8-30 VAC NO/NC.....	9612-5627-02
6	1-3	Solenoid valve 3/2, 24 VDC.....	9611-99-3324
	1-3	Solenoid valve 3/2, 24 VAC.....	9611-99-3325
	1-3	Solenoid valve 3/2, 110 VAC.....	9611-99-3326
	1	Solenoid valve 5/2, 24 VDC.....	9611-99-3327
	1	Solenoid valve 5/2, 24 VAC.....	9611-99-3328
	1	Solenoid valve 5/2, 110 VAC.....	9611-99-3329
7	3	PT screw.....	9611-99-3457
8	1	Base complete, no solenoids..... (Pos.9,12,13,14 included)	9612-5762-01
	1	Base complete, 3/2 24 VDC, one solenoid..... (Pos.9,10,11,12,13,14 included)	9612-5762-02
	1	Base complete, 3/2 24 VDC, two solenoids..... (Pos.9,10,11,12,13,14 included)	9612-5762-08
	1	Base complete, 3/2 24 VDC, three solenoids..... (Pos.9,10,11,12,13,14 included)	9612-5762-11
	1	Base complete, 5/2 24 VDC, one solenoid..... (Pos.9,10,11,12,13,14 included)	9612-5762-03
	1	Base complete, 3/2 24 VAC, one solenoid..... (Pos.9,10,11,12,13,14 included)	9612-5762-04
	1	Base complete, 3/2 24 VAC, two solenoids..... (Pos.9,10,11,12,13,14 included)	9612-5762-09
	1	Base complete, 3/2 24 VAC, three solenoids..... (Pos.9,10,11,12,13,14 included)	9612-5762-12
	1	Base complete, 5/2 24 VAC, one solenoid..... (Pos.9,10,11,12,13,14 included)	9612-5762-05
	1	Base complete, 3/2 110 VAC, one solenoid..... (Pos.9,10,11,12,13,14 included)	9612-5762-06
	1	Base complete, 3/2 110 VAC, two solenoids..... (Pos.9,10,11,12,13,14 included)	9612-5762-10
	1	Base complete, 3/2 110 VAC, three solenoids..... (Pos.9,10,11,12,13,14 included)	9612-5762-13
	1	Base complete, 5/2 110 VAC, one solenoid..... (Pos.9,10,11,12,13,14 included)	9612-5762-07
	1	Base prepared for no solenoids.....	9612-5761-01
	1	Base prepared for one 3/2 port solenoid.....	9612-5761-02
	1	Base prepared for two 3/2 port solenoids.....	9612-5761-04
	1	Base prepared for three 3/2 port solenoids.....	9612-5761-05
	1	Base prepared for one 5/2 port solenoid.....	9612-5761-03
	1	Base prepared for one 5/2 and one 3/2 port solenoid.....	9612-5761-06
	1	Base prepared for one 5/2 and two 3/2 port solenoids.....	9612-5761-07
9	1	Special X-ring.....	9612-9994-01
10	1	Air fitting.....	9611-99-3433
11	2	Blow-off valve.....	9612-5636-01
12	1	Thread plug, PG7.....	9611-99-3407
13	1	Cable gland, PG11 4-10 mm.....	9611-99-3517
14	1	Pressure control valve, 1/8".....	9611-99-2928
15	1	Adapter complete (pos. 11, 16, 17 included).....	9612-6358-02
16	1	Special X-ring.....	9612-9994-01
17	1	O-ring.....	9611-99-3350
18	4	Screw.....	9611-99-3763
19	1	Retainer.....	9611-99-4203
20	1	O-ring.....	9611-99-3689
21	1	O-ring.....	9611-99-3690
22	1	Indicator pin.....	9612-6357-02
23	1	Nut.....	9611-99-3764
24	1	5m flying PVC cable (12x0.5 mm ²) Digital.....	9611-99-3627
26	1	Air fitting incl. O-ring.....	9611-99-3434



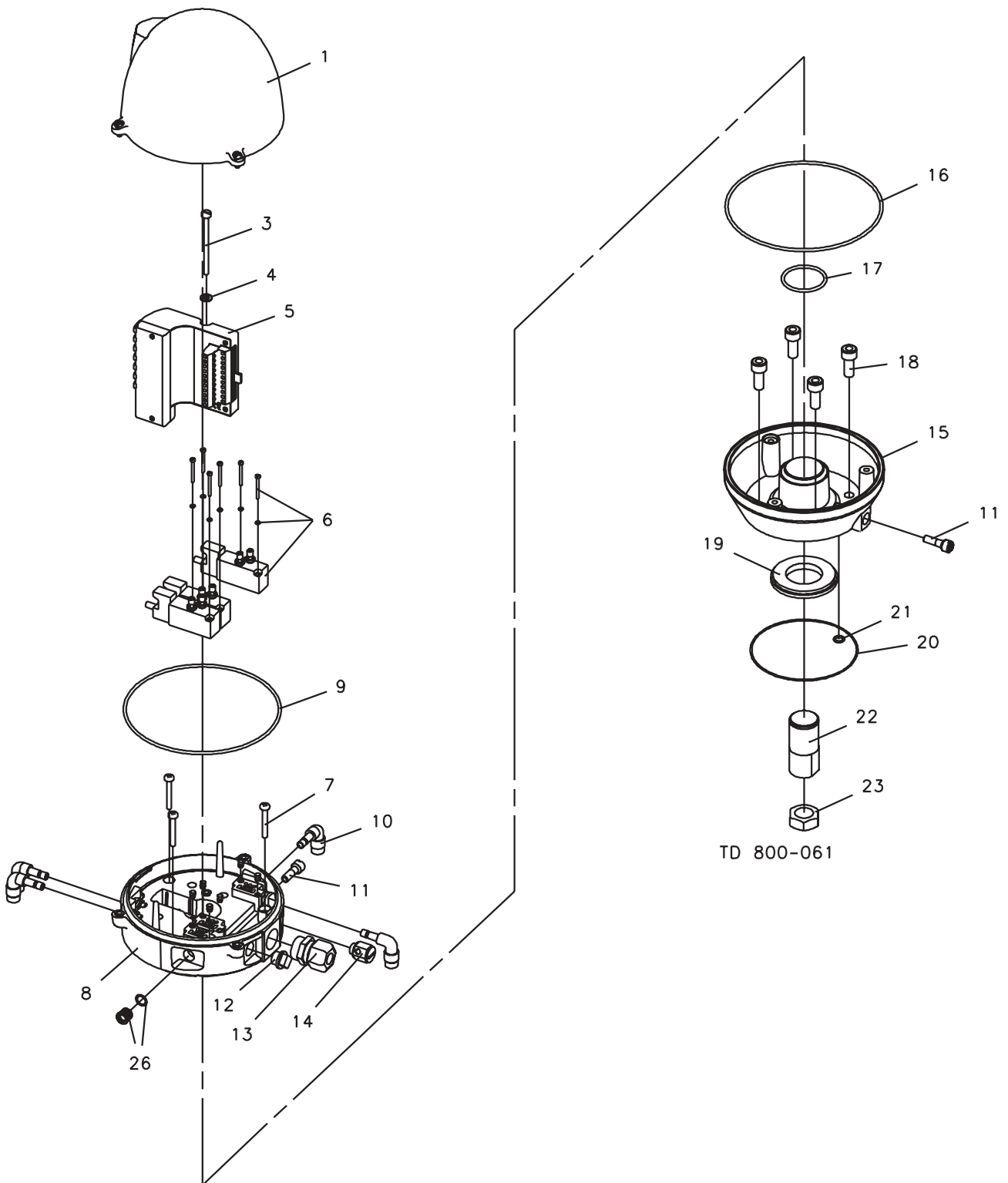
			SRC, SRC-LS, ARC SMP-BC, SMP-SC SF, Unique Mixproof, SMP-TO, LKB (LKLA-T), Koltek MH, AMP, SBV		SMP-EC	Ø6 mm Air connection	1/4" Air connection
Pos.	Qty.	Denomination					
1a	1	Shell complete.....	9612-5616-01				
1b	1	Shell complete.....		9612-5616-02			
2	1	O-ring, NBR		9611-99-2129			
3	1	Screw.....	9611-99-3458	9611-99-3458			
4	1	Washer.....	9611-99-3459	9611-99-3459			
5	1	Sensor unit Digital 110 VAC NO/NC	9612-5627-05	9612-5627-05			
6	1-3	Solenoid valve 3/2, 24 VDC	9611-99-3324	9611-99-3324			
	1-3	Solenoid valve 3/2, 24 VAC	9611-99-3325	9611-99-3325			
	1-3	Solenoid valve 3/2, 110 VAC	9611-99-3326	9611-99-3326			
	1	Solenoid valve 5/2, 24 VDC	9611-99-3327	9611-99-3327			
	1	Solenoid valve 5/2, 24 VAC	9611-99-3328	9611-99-3328			
	1	Solenoid valve 5/2, 110 VAC	9611-99-3329	9611-99-3329			
7	3	PT screw.....	9611-99-3457	9611-99-3457			
8	1	Base complete, no solenoids			9612-5619-01	9612-5762-01	
		(Pos.9,12,13,14 included)					
	1	Base complete, 3/2 24 VDC, one solenoids			9612-5619-02	9612-5762-02	
		(Pos.9,10,11,12,13,14 included)					
	1	Base complete, 3/2 24 VDC, two solenoids			9612-5619-08	9612-5762-08	
		(Pos.9,10,11,12,13,14 included)					
	1	Base complete, 3/2 24 VDC, three solenoids			9612-5619-11	9612-5762-11	
		(Pos.9,10,11,12,13,14 included)					
	1	Base complete, 5/2 24 VDC, one solenoid			9612-5619-03	9612-5762-03	
		(Pos.9,10,11,12,13,14 included)					
	1	Base complete, 3/2 24 VAC, one solenoids.....			9612-5619-04	9612-5762-04	
		(Pos.9,10,11,12,13,14 included)					
	1	Base complete, 3/2 24 VAC, two solenoids.....			9612-5619-09	9612-5762-09	
		(Pos.9,10,11,12,13,14 included)					
	1	Base complete, 3/2 24 VAC, three solenoids.....			9612-5619-12	9612-5762-12	
		(Pos.9,10,11,12,13,14 included)					
	1	Base complete, 5/2 24 VAC, one solenoid			9612-5619-05	9612-5762-05	
		(Pos.9,10,11,12,13,14 included)					
	1	Base complete, 3/2 110 VAC, one solenoid			9612-5619-06	9612-5762-06	
		(Pos.9,10,11,12,13,14 included)					
	1	Base complete, 3/2 110 VAC, two solenoids.....			9612-5619-10	9612-5762-10	
		(Pos.9,10,11,12,13,14 included)					
	1	Base complete, 3/2 110 VAC, three solenoids.....			9612-5619-13	9612-5762-13	
		(Pos.9,10,11,12,13,14 included)					
	1	Base complete, 5/2 110 VAC, one solenoid			9612-5619-07	9612-5762-07	
		(Pos.9,10,11,12,13,14 included)					
	1	Base prepared for no solenoids			9612-5620-01	9612-5761-01	
	1	Base prepared for one 3/2 port solenoid			9612-5620-02	9612-5761-02	
	1	Base prepared for two 3/2 port solenoids.....			9612-5620-04	9612-5761-04	
	1	Base prepared for three 3/2 port solenoids.....			9612-5620-05	9612-5761-05	
	1	Base prepared for one 5/2 port solenoid			9612-5620-03	9612-5761-03	
	1	Base prepared for one 5/2 and one 3/2 port solenoid			9612-5620-06	9612-5761-06	
	1	Base prepared for one 5/2 and two 3/2 port solenoids			9612-5620-07	9612-5761-07	
9	1	Special X-ring	9612-9994-01	9612-9994-01			
10	1	Air fitting			9611-99-3405	9611-99-3433	
11	1	Blow-off valve	9612-5636-01	9612-5636-01			
12	1	Thread plug, PG7	9611-99-3407	9611-99-3407			
13	1	Cable gland, PG11 4-10 mm.....	9611-99-3517	9611-99-3517			
14	1	Pressure control valve, 1/8"	9611-99-2928	9611-99-2928			
15	1	Adapter complete (Pos. 17,18,19 included).....	9612-5621-01	9612-5621-01			
	1	Adapter	9612-5622-01	9612-5622-01			
16	1	Special X-ring	9612-9994-01	9612-9994-01			
17	1	O-ring.....	9611-99-3350	9611-99-3350			
18	2	Allen screw.....	9611-99-3409	9611-99-3409			
19	1	Special X-ring	9612-5696-01	9612-5696-01			
20a	1	Indication pin complete	9612-5623-01				
	1	Indication pin complete for SRC-LS: only stop valves size 63.5-101.6mm/DN65-100	9612-6370-01				
20b	1	Indication pin complete		9612-5625-01			
21	1	O-ring, EPDM.....		223403-80			
22	1	5m. flying PVC cable (12x0.5 mm ²)Digital	9611-99-3627	9611-99-3627			
24	1	Air fitting incl. O-ring			9611-99-3404	9611-99-3434	



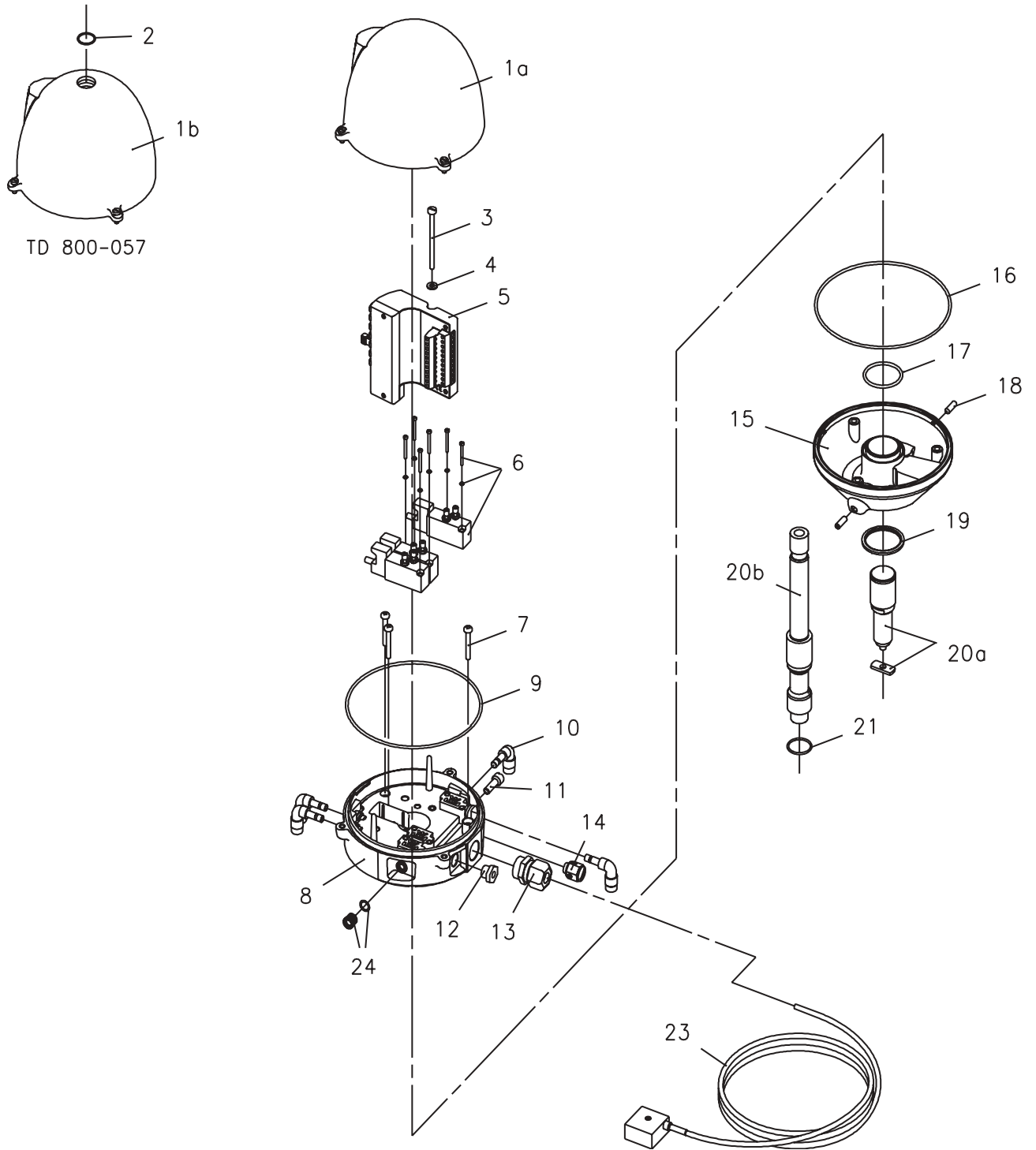
Pos.	Qty.	Denomination	1/4" Air connection
1	1	Shell complete.....	9612-5616-01
3	1	Screw.....	9611-99-3458
4	1	Washer.....	9611-99-3459
5	1	Sensor unit Digital 110 VAC NO/NC	9612-5627-05
6	1-3	Solenoid valve 3/2, 24 VDC	9611-99-3324
	1-3	Solenoid valve 3/2, 24 VAC	9611-99-3325
	1-3	Solenoid valve 3/2, 110 VAC	9611-99-3326
	1	Solenoid valve 5/2, 24 VDC	9611-99-3327
	1	Solenoid valve 5/2, 24 VAC	9611-99-3328
	1	Solenoid valve 5/2, 110 VAC	9611-99-3329
7	3	PT screw	9611-99-3457
8	1	Base complete, no solenoids	9612-5762-01
		(Pos.9,12,13,14 included)	
	1	Base complete, 3/2 24 VDC, one solenoid	9612-5762-02
		(Pos.9,10,11,12,13,14 included)	
	1	Base complete, 3/2 24 VDC, two solenoids	9612-5762-08
		(Pos.9,10,11,12,13,14 included)	
	1	Base complete, 3/2 24 VDC, three solenoids	9612-5762-11
		(Pos.9,10,11,12,13,14 included)	
	1	Base complete, 5/2 24 VDC, one solenoid	9612-5762-03
		(Pos.9,10,11,12,13,14 included)	
	1	Base complete, 3/2 24 VAC, one solenoid	9612-5762-04
		(Pos.9,10,11,12,13,14 included)	
	1	Base complete, 3/2 24 VAC, two solenoids.....	9612-5762-09
		(Pos.9,10,11,12,13,14 included)	
	1	Base complete, 3/2 24 VAC, three solenoids.....	9612-5762-12
		(Pos.9,10,11,12,13,14 included)	
	1	Base complete, 5/2 24 VAC, one solenoid	9612-5762-05
		(Pos.9,10,11,12,13,14 included)	
	1	Base complete, 3/2 110 VAC, one solenoid	9612-5762-06
		(Pos.9,10,11,12,13,14 included)	
	1	Base complete, 3/2 110 VAC, two solenoids.....	9612-5762-10
		(Pos.9,10,11,12,13,14 included)	
	1	Base complete, 3/2 110 VAC, three solenoids.....	9612-5762-13
		(Pos.9,10,11,12,13,14 included)	
	1	Base complete, 5/2 110 VAC, one solenoid	9612-5762-07
		(Pos.9,10,11,12,13,14 included)	
	1	Base prepared for no solenoids	9612-5761-01
	1	Base prepared for one 3/2 port solenoid	9612-5761-02
	1	Base prepared for two 3/2 port solenoids.....	9612-5761-04
	1	Base prepared for three 3/2 port solenoids.....	9612-5761-05
	1	Base prepared for one 5/2 port solenoid	9612-5761-03
	1	Base prepared for one 5/2 and one 3/2 port solenoid	9612-5761-06
	1	Base prepared for one 5/2 and two 3/2 port solenoids.....	9612-5761-07
9	1	Special X-ring	9612-9994-01
10	1	Air fitting	9611-99-3433
11	2	Blow-off valve.....	9612-5636-01
12	1	Thread plug, PG7	9611-99-3407
13	1	Cable gland, PG11 4-10 mm.....	9611-99-3517
14	1	Pressure control valve, 1/8"	9611-99-2928
15	1	Adapter complete (pos. 11, 16, 17 included).....	9612-6358-02
16	1	Special X-ring	9612-9994-01
17	1	O-ring.....	9611-99-3350
18	4	Screw.....	9611-99-3763
19	1	Retainer.....	9611-99-4203
20	1	O-ring.....	9611-99-3689
21	1	O-ring.....	9611-99-3690
22	1	Indicator pin	9612-6357-02
23	1	Nut	9611-99-3764
24	1	5m flying PVC cable (12x0.5 mm ²) Digital	9611-99-3627
26	1	Air fitting incl. O-ring	9611-99-3434



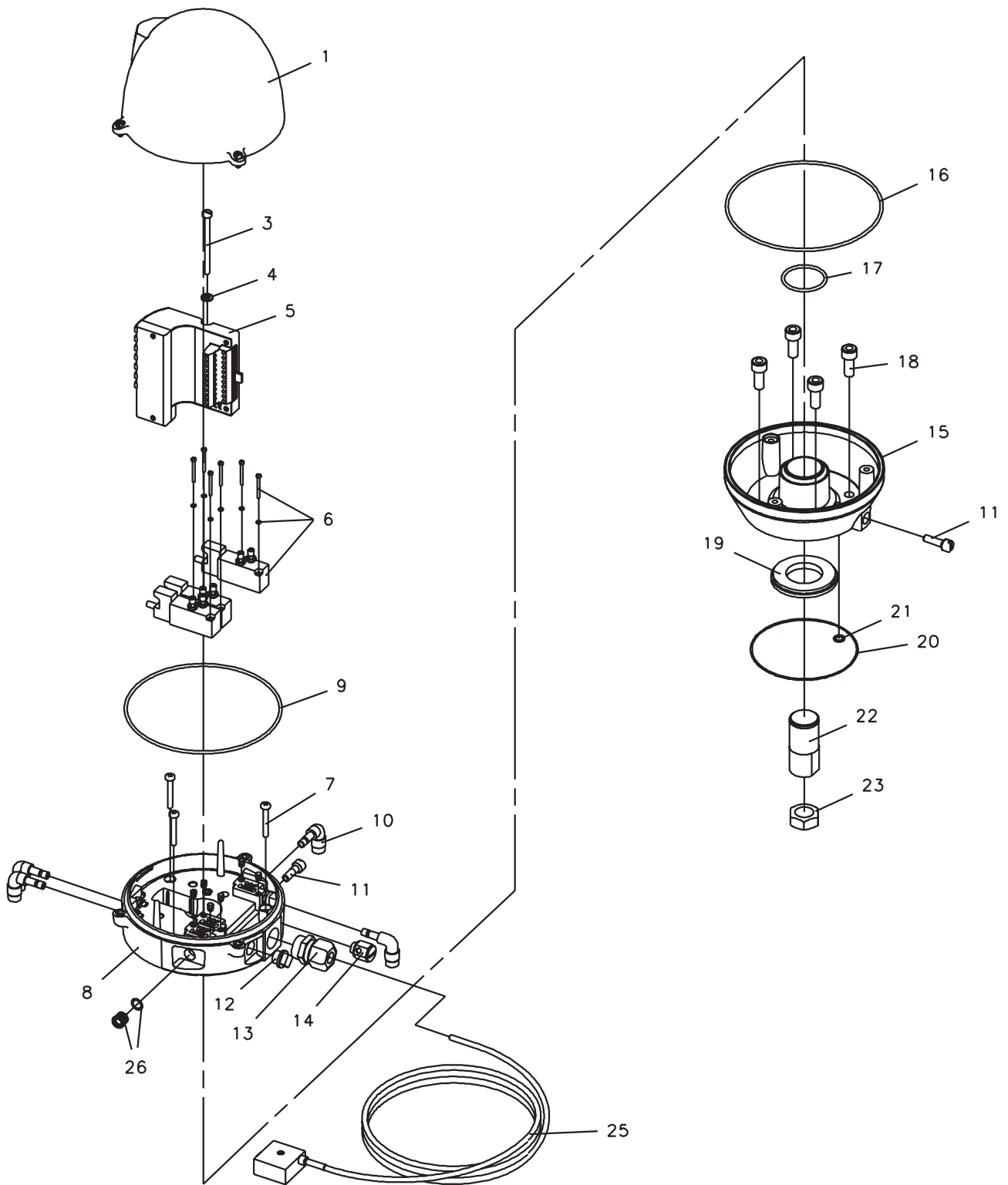
Pos.	Qty.	Denomination	SRC, SRC-LS, ARC SMP-BC, SMP-SC SF, <i>Unique Mixproof</i> , SMP-TO, LKB (LKLA-T), Koltek MH, AMP, SBV	SMP-EC	Ø6 mm Air connection	1/4" Air connection
1a	1	Shell complete.....	9612-5616-01			
1b	1	Shell complete.....		9612-5616-02		
2	1	O-ring, NBR		9611-99-2129		
3	1	Screw.....	9611-99-3458	9611-99-3458		
4	1	Washer.....	9611-99-3459	9611-99-3459		
5	1	Sensor unit DeviceNet 11-25 VDC.....	9612-5627-04	9612-5627-04		
6	1-3	Solenoid valve 3/2, 8 VDC.....	9611-99-3748	9611-99-3748		
	1	Solenoid valve 5/2, 8 VDC.....	9611-99-3749	9611-99-3749		
7	3	PT screw.....	9611-99-3457	9611-99-3457		
8	1	Base complete, no solenoids			9612-5619-01	9612-5762-01
		(Pos. 9,12,13,14 included)				
	1	Base complete, 3/2 8 VDC, one solenoid			9612-5619-16	9612-5762-16
		(Pos. 9,10,11,12,13,14 included)				
	1	Base complete, 3/2 8 VDC, two solenoids			9612-5619-17	9612-5762-17
		(Pos. 9,10,11,12,13,14 included)				
	1	Base complete, 3/2, 8 VDC, three solenoids			9612-5619-18	9612-5762-18
		(Pos. 9,10,11,12,13,14 included)				
	1	Base complete, 5/2 8 VDC, one solenoid			9612-5619-19	9612-5762-19
		(Pos. 9,10,11,12,13,14 included)				
	1	Base prepared for no solenoids			9612-5620-01	9612-5761-01
	1	Base prepared for one 3/2 port solenoid			9612-5620-02	9612-5761-02
	1	Base prepared for two 3/2 port solenoids.....			9612-5620-04	9612-5761-04
	1	Base prepared for three 3/2 port solenoids.....			9612-5620-05	9612-5761-05
	1	Base prepared for one 5/2 port solenoid			9612-5620-03	9612-5761-03
	1	Base prepared for one 5/2 and one 3/2 port solenoid			9612-5620-06	9612-5761-06
	1	Base prepared for one 5/2 and two 3/2 port solenoids			9612-5620-07	9612-5761-07
9	1	Special X-ring	9612-9994-01	9612-9994-01		
10	1	Air fitting			9611-99-3405	9611-99-3433
11	1	Blow-off valve	9612-5636-01	9612-5636-01		
12	1	Thread plug, PG7	9611-99-3407	9611-99-3407		
13	1	Cable gland, PG11 4-10 mm.....	9611-99-3517	9611-99-3517		
14	1	Pressure control valve, 1/8"	9611-99-2928	9611-99-2928		
15	1	Adapter complete (Pos. 17,18,19 included).....	9612-5621-01	9612-5621-01		
	1	Adapter	9612-5622-01	9612-5622-01		
16	1	Special X-ring	9612-9994-01	9612-9994-01		
17	1	O-ring.....	9611-99-3350	9611-99-3350		
18	2	Allen screw.....	9611-99-3409	9611-99-3409		
19	1	Special X-ring	9612-5696-01	9612-5696-01		
20a	1	Indication pin complete	9612-5623-01			
	1	Indication pin complete for SRC-LS: only stop valves size 63.5-101.6mm/DN65-100	9612-6370-01			
20b	1	Indication pin complete		9612-5625-01		
21	1	O-ring, EPDM.....		223403-80		
24	1	Air fitting incl. O-ring			9611-99-3404	9611-99-3434



Pos.	Qty.	Denomination	1/4" Air connection
1	1	Shell complete.....	9612-5616-01
3	1	Screw.....	9611-99-3458
4	1	Washer.....	9611-99-3459
5	1	Sensor unit DeviceNet 11-25 VDC.....	9612-5627-04
6	1-3	Solenoid valve 3/2, 8 VDC.....	9611-99-3748
	1	Solenoid valve 5/2, 8 VDC.....	9611-99-3749
7	3	PT screw.....	9611-99-3457
8	1	Base complete, no solenoids (Pos. 9, 12, 13, 14 included).....	9612-5762-01
	1	Base complete, 3/2 8 VDC, one solenoid (Pos. 9, 10, 11, 12, 13, 14 included).....	9612-5762-16
	1	Base complete, 3/2 8 VDC, two solenoids (Pos. 9, 10, 11, 12, 13, 14 included).....	9612-5762-17
	1	Base complete, 3/2, 8 VDC, three solenoids (Pos. 9, 10, 11, 12, 13, 14 included).....	9612-5762-18
	1	Base complete, 5/2 8 VDC, one solenoid (Pos. 9, 10, 11, 12, 13, 14 included).....	9612-5762-19
	1	Base prepared for no solenoids.....	9612-5761-01
	1	Base prepared for one 3/2 port solenoid.....	9612-5761-02
	1	Base prepared for two 3/2 port solenoids.....	9612-5761-04
	1	Base prepared for three 3/2 port solenoids.....	9612-5761-05
	1	Base prepared for one 5/2 port solenoid.....	9612-5761-03
	1	Base prepared for one 5/2 and one 3/2 port solenoid.....	9612-5761-06
	1	Base prepared for one 5/2 and two 3/2 port solenoids.....	9612-5761-07
9	1	Special X-ring.....	9612-9994-01
10	1	Air fitting.....	9611-99-3433
11	2	Blow-off valve.....	9612-5636-01
12	1	Thread plug, PG7.....	9611-99-3407
13	1	Cable gland, PG11 4-10 mm.....	9611-99-3517
14	1	Pressure control valve, 1/8".....	9611-99-2928
15	1	Adapter complete (pos. 11, 16, 17 included).....	9612-6358-02
16	1	Special X-ring.....	9612-9994-01
17	1	O-ring.....	9611-99-3350
18	4	Screw.....	9611-99-3763
19	1	Retainer.....	9611-99-4203
20	1	O-ring.....	9611-99-3689
21	1	O-ring.....	9611-99-3690
22	1	Indicator pin.....	9612-6357-02
23	1	Nut.....	9611-99-3764
26	1	Air fitting incl. O-ring.....	9611-99-3434



			SRC, SRC-LS, ARC SMP-BC, SMP-SC SF, <i>Unique Mixproof</i> , SMP-TO, LKB (LKLA-T), Koltek MH, AMP, SBV		SMP-EC	Ø6 mm Air connection	1/4" Air connection
Pos.	Qty.	Denomination					
1a	1	Shell complete.....	9612-5616-01				
1b	1	Shell complete.....		9612-5616-02			
2	1	O-ring, NBR		9611-99-2129			
3	1	Screw.....	9611-99-3458	9611-99-3458			
4	1	Washer.....	9611-99-3459	9611-99-3459			
5	1	Sensor unit AS-Interface 29.5-31.6 VDC	9612-5627-03	9612-5627-03			
6	1-3	Solenoid valve 3/2, 24 VDC.....	9611-99-3324	9611-99-3324			
	1	Solenoid valve 5/2, 24 VDC.....	9611-99-3327	9611-99-3327			
7	3	PT screw.....	9611-99-3457	9611-99-3457			
8	1	Base complete, no solenoids			9612-5619-01	9612-5762-01	
		(Pos.9,12,13,14 included).....					
	1	Base complete, 3/2 24 VDC, one solenoid			9612-5619-02	9612-5762-02	
		(Pos.9,10,11,12,13,14 included).....					
	1	Base complete, 3/2 24 VDC, two solenoids			9612-5619-08	9612-5762-08	
		(Pos.9,10,11,12,13,14 included).....					
	1	Base complete, 3/2 24 VDC, three solenoids			9612-5619-11	9612-5762-11	
		(Pos.9,10,11,12,13,14 included).....					
	1	Base complete, 5/2 24 VDC, one solenoid			9612-5619-03	9612-5762-03	
		(Pos.9,10,11,12,13,14 included).....					
	1	Base prepared for no solenoids			9612-5620-01	9612-5761-01	
	1	Base prepared for one 3/2 port solenoid			9612-5620-02	9612-5761-02	
	1	Base prepared for two 3/2 port solenoids.....			9612-5620-04	9612-5761-04	
	1	Base prepared for three 3/2 port solenoids.....			9612-5620-05	9612-5761-05	
	1	Base prepared for one 5/2 port solenoid			9612-5620-03	9612-5761-03	
	1	Base prepared for one 5/2 and one 3/2 port solenoid			9612-5620-06	9612-5761-06	
	1	Base prepared for one 5/2 and two 3/2 port solenoids			9612-5620-07	9612-5761-07	
9	1	Special X-ring	9612-9994-01	9612-9994-01			
10	1	Air fitting			9611-99-3405	9611-99-3433	
11	1	Blow-off valve.....	9612-5636-01	9612-5636-01			
12	1	Thread plug, PG7	9611-99-3407	9611-99-3407			
13	1	Cable gland, PG11 4-10 mm.....	9611-99-3517	9611-99-3517			
14	1	Pressure control valve, 1/8"	9611-99-2928	9611-99-2928			
15	1	Adapter complete (Pos. 17,18,19 included).....	9612-5621-01	9612-5621-01			
	1	Adapter	9612-5622-01	9612-5622-01			
16	1	Special X-ring	9612-9994-01	9612-9994-01			
17	1	O-ring.....	9611-99-3350	9611-99-3350			
18	2	Allen screw.....	9611-99-3409	9611-99-3409			
19	1	Special X-ring	9612-5696-01	9612-5696-01			
20a	1	Indication pin complete	9612-5623-01				
	1	Indication pin complete for SRC-LS: only stop valves size 63.5-101.6mm/DN65-100	9612-6370-01				
20b	1	Indication pin complete		9612-5625-01			
21	1	O-ring, EPDM		223403-80			
23	1	2 m ASI Drop Cable (2x0.5mm²).....	9611-99-3518	9611-99-3518			
		with flat cable connector.....					
24	1	Air fitting incl. O-ring			9611-99-3404	9611-99-3434	



TD 800-060

Pos.	Qty.	Denomination	1/4" Air connection
1	1	Shell complete.....	9612-5616-01
3	1	Screw.....	9611-99-3458
4	1	Washer.....	9611-99-3459
5	1	Sensor unit AS-Interface 29.5-31.6 VDC	9612-5627-03
6	1-3	Solenoid valve 3/2, 24 VDC	9611-99-3324
	1	Solenoid valve 5/2, 24 VDC	9611-99-3327
7	3	PT screw	9611-99-3457
8	1	Base complete, no solenoids	9612-5762-01
		(Pos.9,12,13,14 included)	
	1	Base complete, 3/2 24 VDC, one solenoid	9612-5762-02
		(Pos.9,10,11,12,13,14 included)	
	1	Base complete, 3/2 24 VDC, two solenoids	9612-5762-08
		(Pos.9,10,11,12,13,14 included)	
	1	Base complete, 3/2 24 VDC, three solenoids	9612-5762-11
		(Pos.9,10,11,12,13,14 included)	
	1	Base complete, 5/2 24 VDC, one solenoid	9612-5762-03
		(Pos.9,10,11,12,13,14 included)	
	1	Base prepared for no solenoids	9612-5761-01
	1	Base prepared for one 3/2 port solenoid	9612-5761-02
	1	Base prepared for two 3/2 port solenoids.....	9612-5761-04
	1	Base prepared for three 3/2 port solenoids.....	9612-5761-05
	1	Base prepared for one 5/2 port solenoid	9612-5761-03
	1	Base prepared for one 5/2 and one 3/2 port solenoid	9612-5761-06
	1	Base prepared for one 5/2 and two 3/2 port solenoids.....	9612-5761-07
9	1	Special X-ring	9612-9994-01
10	1	Air fitting	9611-99-3433
11	2	Blow-off valve	9612-5636-01
12	1	Thread plug, PG7	9611-99-3407
13	1	Cable gland, PG11 4-10 mm.....	9611-99-3517
14	1	Pressure control valve, 1/8"	9611-99-2928
15	1	Adapter complete (pos. 11, 16, 17 included)	9612-6358-02
16	1	Special X-ring	9612-9994-01
17	1	O-ring.....	9611-99-3350
18	4	Screw.....	9611-99-3763
19	1	Retainer.....	9611-99-4203
20	1	O-ring.....	9611-99-3689
21	1	O-ring.....	9611-99-3690
22	1	Indicator pin	9612-6357-02
23	1	Nut	9611-99-3764
25	1	2 m ASI Drop Cable (2x0.5mm ²).....	9611-99-3518
		with flat cable connector	
26	1	Air fitting incl. O-ring	9611-99-3434

How to contact Alfa Laval

Contact details for all countries are continually updated on our website.

Please visit www.alfalaval.com to access the information direct.