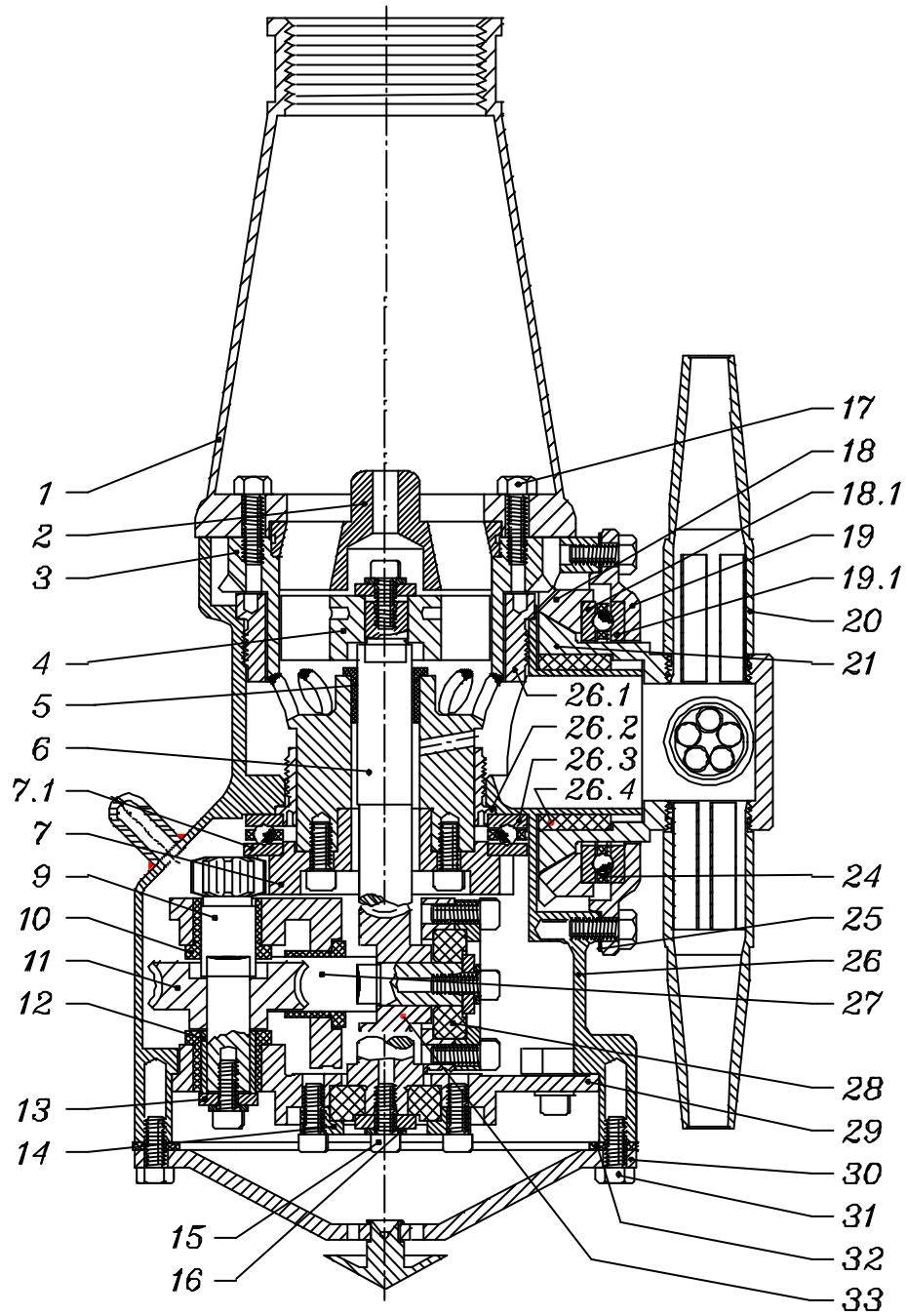




## Spare Parts

Toftejorg TZ-74 Self Cleaning Version

Cross Sectional Drawing, Toftejorg TZ-74 Self Cleaning Version



## Reference List of Parts, Toftejorg TZ-74 Self Cleaning Version

Pos.	Ref. No.	No/Unit	Description	Material	Remarks
1	TE21D500	1	Top Cone 1½" BSP	AISI 316L	Spare part
	TE21D501	1	Top Cone 1½" NPT	AISI 316L	Spare part
2	TE703	1	Guide 100%	AISI 316L	Spare part
	TE803-0	1	Guide ring 0%	AISI 316L	Spare part
3	TE21D561	1	Stem f. Toftej.TZ-74 self-clean	AISI 316L	Spare part
4	TE705	1	Impeller 100%	AISI 316L	Spare part
5	TE21A525	1	Main bush	PEEK	Wear part
6	TE411K	1	Turbine shaft	AISI 316L	Wear part
7	TE712-13	1	Gear wheel w. ball race	AISI 316L	Spare part
7.1	TE826-1	1	Ball race	AISI 316L	Wear part
9	TE814	1	Pinion	AISI 316L	Spare part
10	TE21A585	3	Collar bush	PEEK	Wear part
11+33	TE21A367	2	Worm wheel w. reinforcem.	PEEK	Wear part
12	TE817	1	Journal	AISI 316L	Spare part
13	TE719A	4	Washer	AISI 316L	Spare part
14	TE731	2	Bearing cover	AISI 316L	Spare part
15	TE118	22	Screw	AISI 316	Spare part
16	TE156	8	Springwasher	AISI 316	Spare part
17	TE402H	6	Hex Screw	AISI 316	Spare part
18	TE722S	1	Bevel gear w. ball race	AISI 316L	Spare part
18.1	TE826-1	1	Ball race	AISI 316L	Wear part
19	TE21D340	1	Hub cover w. ball race	AISI 316L	Spare part
19.1	TE826-1	1	Ball race	AISI 316L	Wear part
20	TE50A006	4	Nozzle, ø6 mm	AISI 316L	Spare part
	TE50A007	4	Nozzle, ø7 mm	AISI 316L	Spare part
	TE50A008	4	Nozzle, ø8 mm	AISI 316L	Spare part
	TE50A010	2	Nozzle, ø10 mm	AISI 316L	Spare part
20.1	TE50A000	2	Plug	AISI 316L	Spare part
21	TE21C536	1	Hub	AISI 316L	Spare part
24	TE21A380	2	Ball retainer w. balls	Tefzel200/AISI316	Spare part
25	TE21D562	1	Hub gasket	Teflon TFM	Spare part
26	TE21D560	1	Body w. clean nozzle	AISI 316L	Not available
26.1	TE21B520	1	Main collar upper	PEEK	Wear part
26.2	TE21B521	1	Main collar lower	PEEK	Wear part
26.3	TE826-1	1	Ball race	AISI 316L	Wear part
26.4	TE21D522	1	Hub liner	PEEK	Wear part
27	TE828Z	1	Horizontal shaft	AISI 316L	Wear part
28	TE21A570	2	Slide bearing	PEEK	Wear part
29	TE730	1	Gear frame	AISI 316L	Spare part
30	TE21D350	1	Bottom cover compl.	AISI 316L	Spare part
31	TE421H	10	Hex Screw	AISI 316L	Spare part
32	TE21D563	1	Bottom gasket	Teflon TFM	Spare part
33	TE21A367		See pos. 11		

**Standard Spare Part Kit for Toftejorg TZ-74/TZ-74 self cleaning version, Article No. TE21D299**

Part No.	Description	No.
TE21A367	Worm wheel, PEEK	2 pcs.
TE21A525	Main bush, PEEK	1 pcs.
TE21A570	Slide bearing, PEEK	2 pcs.
TE21A585	Collar bush, PEEK	3 pcs.

**Service Kit for Toftejorg TZ-74/TZ-74 self cleaning version, Article No. TE21D285**

For machines delivered January 1, 1986 – June 30, 1993

Part No.	Description	No.
TE21B328	Stem, complete	1 pcs.
TE21C536	4 Nozzle hub	1 pcs.
TE21D522	Hub collar	1 pcs.
TE21A525	Main bush, PEEK	1 pcs.
TE21A570	Slide bearing, PEEK	2 pcs.
TE21A367	Worm wheel, PEEK	2 pcs.
TE411K	Turbine shaft	1 pcs.
TE826-1	Ball race	4 pcs.
TE21A380	Ball retainer w. balls	2 pcs.
TE21A585	Collar bush, PEEK	3 pcs.
TE828Z	Horizontal shaft	1 pcs.

**Service Kit for Toftejorg TZ-74/TZ-74 self cleaning version, Article No. TE21D286**

For machines delivered after July 1, 1993

Part No.	Description	No.
TE21A525	Main bush, PEEK	1 pcs.
TE21A570	Slide bearing, PEEK	2 pcs.
TE21A367	Worm wheel, PEEK	2 pcs.
TE411K	Turbine shaft	1 pcs.
TE826-1	Ball race	4 pcs.
TE21A380	Ball retainer w. balls	2 pcs.
TE21A585	Collar bush, PEEK	3 pcs.
TE828Z	Horizontal shaft	1 pcs.
TE21D522	Hub collar	1 pcs.

**Standard Tool kit for Toftejorg TZ-74/TZ-74 self cleaning version/TZ-74 brew kettle version, Article No. TE81B055**

Tool No.	Description	No.
TE134	Hex Key for Screw	1 pcs.
TE134A	Hex Screwdriver for Screw	2 pcs.
TE462A	Socket wrench for Hex Screw	1 pcs.

How to contact Alfa Laval  
Contact details for all countries are  
continually updated on our website.  
Please visit [www.alfalaval.com](http://www.alfalaval.com) to  
access the information direct.