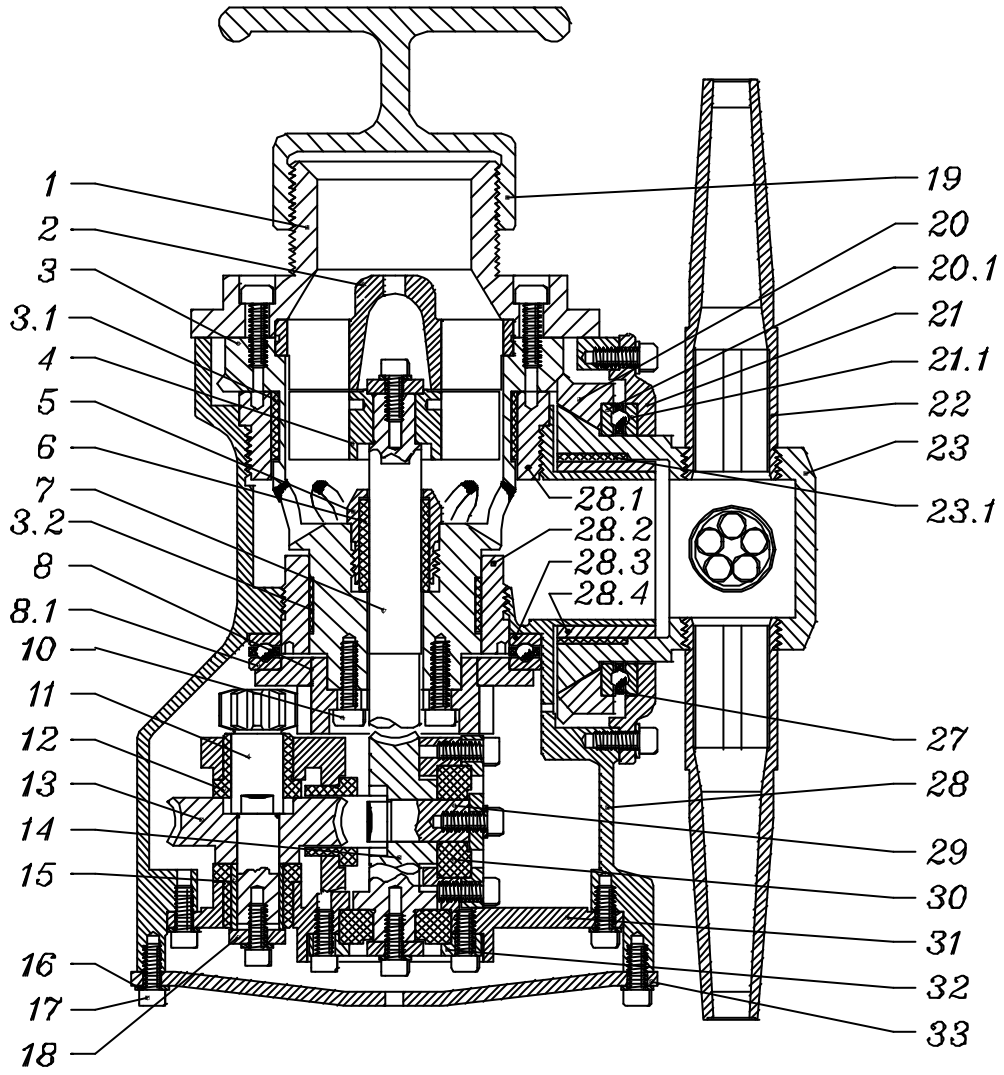




## Spare Parts

Toftejorg TZ-66

Cross Sectional Drawing, Toftejorg TZ-66



## Reference List of Parts, Toftejorg TZ-66

Pos.	Ref. no.	No./ Unit	Description	Material	Remarks
1	TE22B500	1	Nipple 2" BSP	AISI 316L	Spare part
	TE22B501	1	Nipple 2" NPT	AISI 316L	Spare part
	TE22B502	1	Nipple 2½" ASA-B26	AISI 316L	Spare part
2	TE603	1	Guide 100%	AISI 316L	Spare part
	TE103-0	1	Guide ring 0%	AISI 316L	Spare part
3	TE604Z	1	Stem	AISI 316L	Spare part
3.1	TE904-1	1	Top Liner	PTFE	Wear part
3.2	TEB604-2	1	Bottom Liner	PTFE	Wear part
4	TE605	1	Impeller 100%	AISI 316L	Spare part
5	TE608Z	1	Gland	AISI 316L	Spare part
6	TE609P	1	Main bush	PTFE	Wear part
	TE22B575	1	Main bush	PEEK	Wear part
7	TE911K	1	Turbine shaft	AISI 316L	Wear part
8	TE512-13	1	Gear wheel w. ball race	AISI 316L	Spare part
8.1	TE126-1	1	Ball race	AISI 316L	Wear part
10	TE120	14	Screw	AISI 316	Spare part
11	TE114	1	Pinion	AISI 316L	Spare part
12	TE615K	3	Collar bush	Carbon	Wear part
	TE22A585	3	Collar bush	PEEK	Wear part
13	TE22A360	1	Worm wheel w. reinforcem.	PVDF/AISI 316L	Wear part
	TE22A365	1	Worm wheel w. reinforcem.	PEEK	Wear part
14	TE22A360	1	Worm wheel w. reinforcem.	PVDF/AISI 316L	Wear part
	TE22A365	1	Worm wheel w. reinforcem.	PEEK	Wear part
15	TE117	1	Journal	AISI 316L	Spare part
16	TE156	21	Spring washer	AISI 316	Spare part
17	TE118	29	Screw	AISI 316	Spare part
18	TE619A	4	Washer	AISI 316L	Spare part
19	TE101G	1	Handle	Bronze	Spare part
20	TE622S	1	Bevel gear w. ball race	AISI 316L	Spare part
20.1	TE126-1	1	Ball race	AISI 316L	Wear part
21	TE22B340	1	Hub cover with ball race	AISI 316L	Spare part
21.1	TE126-1	1	Ball race	AISI 316L	Wear part
22	TE50B008	4	Nozzle, ø8	AISI 316L	Spare part
	TE50B009	4	Nozzle, ø9	AISI 316L	Spare part
	TE50B010	4	Nozzle, ø10	AISI 316L	Spare part
	TE50B011	2	Nozzle, ø11	AISI 316L	Spare part
22.1	TE50B000	2	Plug	AISI 316L	Spare part
23	TE624-4KZ	1	Hub	AISI 316L	Spare part
23.1	TE624-11	1	Hub liner	PTFE	Wear part
27	TE126S	2	Ball retainer with balls	Tefzel/AISI 316	Wear part
28	TE627Z	1	Body with bearings	AISI 316L	Not available
28.1	TE127Z1	1	Main collar upper	AISI 316L	Wear part
28.2	TE127Z2	1	Main collar lower	AISI 316L	Wear part
28.3	TE126-1	1	Ball race	AISI 316L	Wear part
28.4	TE127-3	1	Hub collar	AISI 316L	Wear part
29	TE128Z	1	Horizontal shaft	AISI 316L	Wear part
30	TE929K	2	Slide bearing	Carbon	Wear part
	TE22A570	2	Slide bearing	PEEK	Wear part
31	TE630R	1	Gear frame with bushes	AISI 316L/Carbon	Spare part
32	TE531	2	Bearing cover	AISI 316L	Spare part
33	TE633-5	1	Bottom cover	AISI 316L	Spare part

**Standard Spare Part Kit, Toftejorg TZ-66**  
**Article No. TE22B299**

Part No.	Description	No.
TE22A360	Worm wheel w. reinforcement	2 pcs.
TE609P	Main bush	1 pcs.
TE615K	Collar bush	3 pcs.
TE929K	Slide bearing	2 pcs.

**Optional Spare Part Kit for Toftejorg TZ-66 with PEEK Wear Parts**  
**Article No. TE22B298**

Part No.	Description	No.
TE22A365	Worm wheel w. reinforcement	2 pcs.
TE22B575	Main bush	1 pcs.
TE22A585	Collar bush	3 pcs.
TE22A570	Slide bearing	2 pcs.

**Standard Tool kit for Toftejorg TZ-66,**  
**Article no. TE81B080**

Tool No.	Description	No.
TE134	Unbraco Key for Screw	1 pcs.
TE134A	Unbraco screw driver	1 pcs.
TE135	Unbraco Key for Screw	1 pcs.
TE135A	Unbraco screw driver	1 pcs.

How to contact Alfa Laval

Contact details for all countries are continually updated on our website.

Please visit [www.alfalaval.com](http://www.alfalaval.com) to access the information direct.