

The Original Seat Valve

SRC-LS Sanitary Long-Stroke Valve

Application

SRC-LS is specially suited for use in sanitary and non-sanitary applications where suspended solids or high viscosity products are processed. This has been achieved by increasing the stroke of the valve plug considerably compared to the standard SRC valve.

Working principle

The valve is operated by means of compressed air and can be supplied with or without spring return. It has few and simple moving parts which results in a very reliable valve.

Standard design

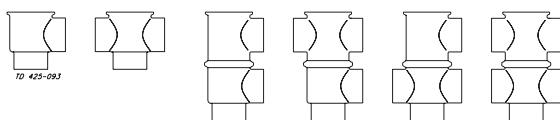
SRC-LS consists of a long actuator and bonnet, lip seal, a special valve plug and SRC valve body. All parts are assembled by clamp rings and a stem clip-system.

The valve has welding ends as standard.

Actuator function

- Pneumatic downward movement, spring return (NO).
- Pneumatic upward movement, spring return (NC).
- Pneumatic upward and downward movement (AA).
-

Valve body combinations



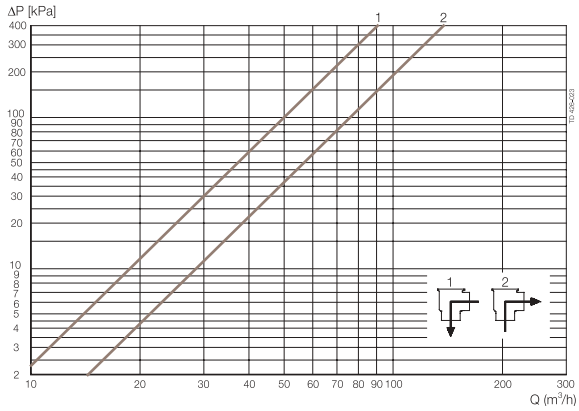
20 30 21 22 31 32



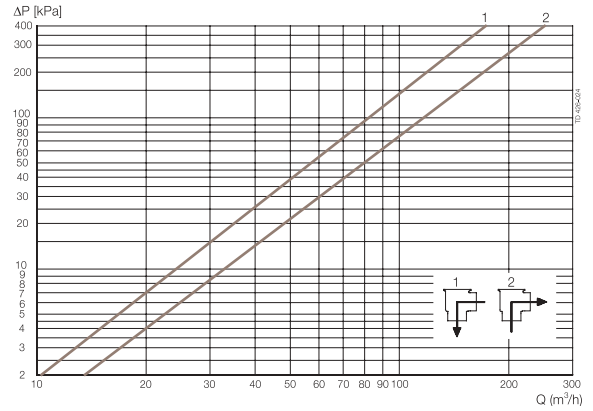
SRC-LS with valve body combination 21

Pressure drop/capacity diagrams

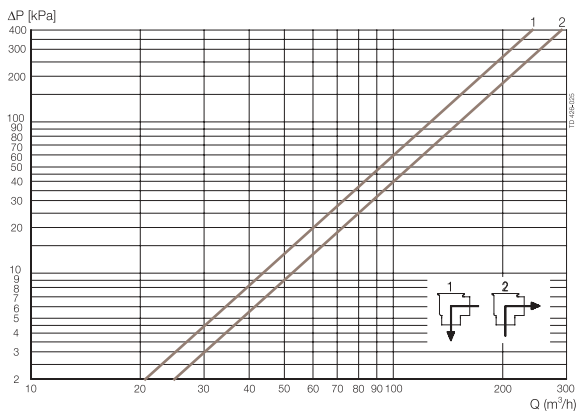
Stop valve



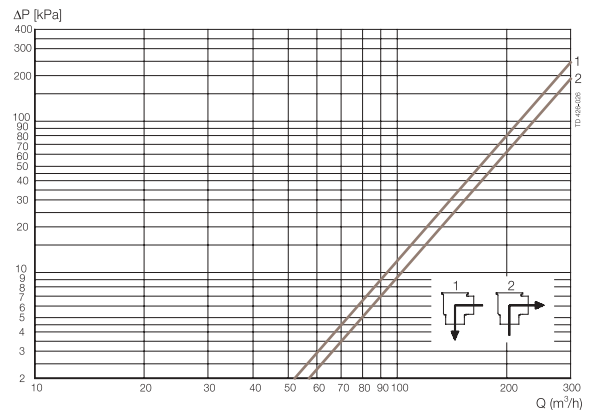
51 mm / DN50.



63.5 mm / DN65.



76 mm / DN80.









101.6 mm / DN100.

Pressure data for SRC-LS



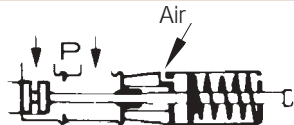

- 10. Pneumatic downward movement, spring return (NO-lower seat).
- 20. Pneumatic upward movement, spring return (NC-lower seat).
- 30. Pneumatic upward and downward movement (A/A).

Table 1: Stop and change-over valves - Max. static pressure in bar without leakage, valve seat fully closed

Actuator / Valve body combination and Direction of	Actuator type/function	Valve size				Air consumption (Litres free air/stroke) p=air pressure in bar	
		DN50 51 mm	DN65 63.5 mm	DN80 76.1 mm	DN100 101.6 mm	51mm	63.5-101.6mm
	10 (NO)	3.9	7.8	5.0	3.2	0.32 x p	1.0 x p
Spring closes							
Air closes (5 bar)	ISO	3.5	7.2	5	3.6	0.32 x p	1.0 x p
	DIN	3.2	7.2	4.0	3.6		
Air closes (6 bar)	ISO	5.6	10.6	7.5	5.3	0.32 x p	1.0 x p
	DIN	5.1	10.6	6.0	5.3		
Air closes (5 bar)	20 (NC)	5.5	9.2	4.2	3.6	0.32 x p	1.0 x p
		Air					
Air closes (6 bar)		7.4	13.0	7.2	5.4		
	ISO	2.6	7.0	4.0	3.6	0.32 x p	1.0 x p
Spring closes	DIN	2.4	7.0	3.2	3.6		
Air closes (5 bar)	30 (A/A)	10	10	4.0	3.5	0.64 x p	2.0 x p
		Air					
Air closes (6 bar)		10	10	10	10		
Air closes (5 bar)	ISO	9	10	10	8.5	0.64 x p	2.0 x p
	DIN	8.2	10	8.0	8.5		
Air closes (6 bar)	ISO	10	10	10	10		
	DIN	9.1	10	8.0	10		

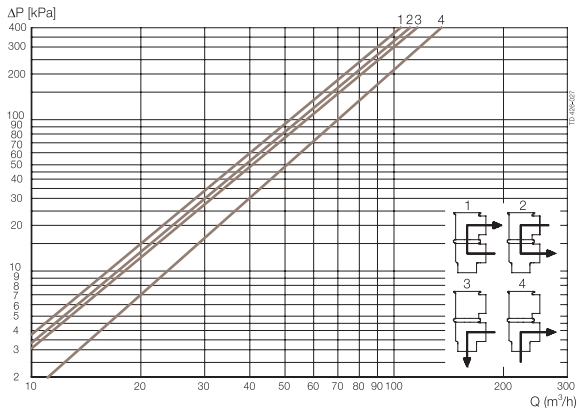
Pressure data for SRC-LS

Table 2: Stop and change-over valves - Approx. static liquid pressure in bar.

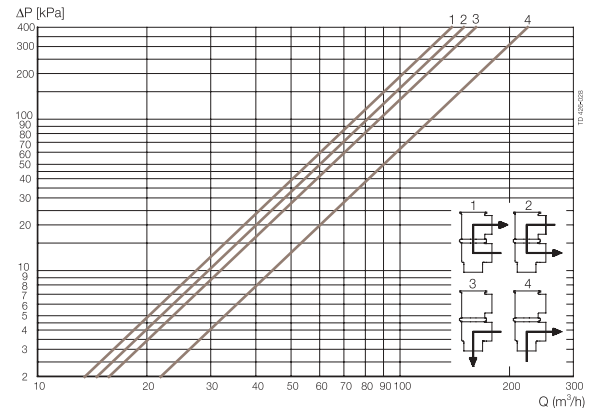
Actuator / valve body combination and direction of pressure	Actuator type/function	Valve size			
		DN50 51 mm	DN65 63.5 mm	DN80 76.1 mm	DN100 101.6 mm
 Spring opens	ISO			8.5	
	10 (NO) ISO/DIN	7.2	12.3		5.5
 Air opens (6 bar)	DIN			7.2	
	10 (NO)	7.8	13.3	8.5	6.2
 Air opens	ISO			9.0	
	20 (NC) ISO/DIN	8.	4	14.2	6.4
 Spring opens	DIN			7.6	
	20 (NC)	6.0	12.3	7.1	5.5

Pressure drop/capacity diagrams

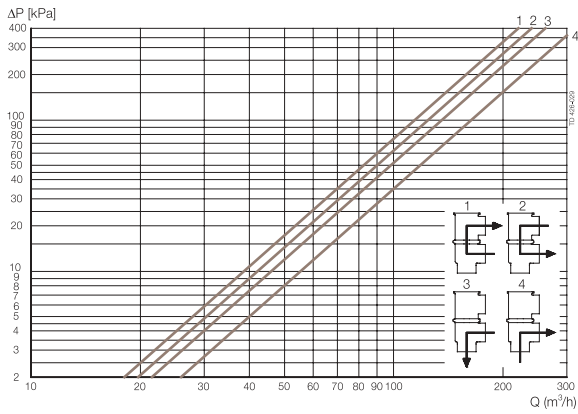
Change-over valve



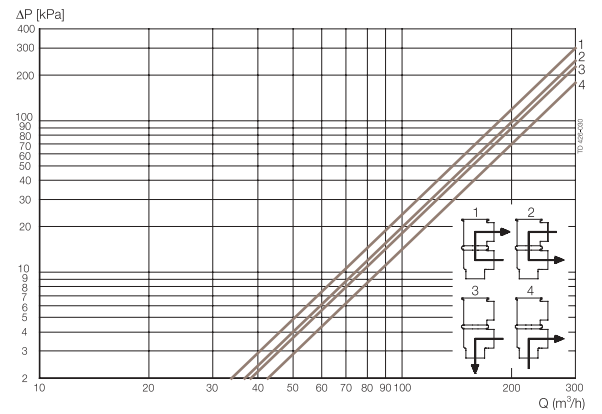
51 mm / DN50.



63.5 mm / DN65.



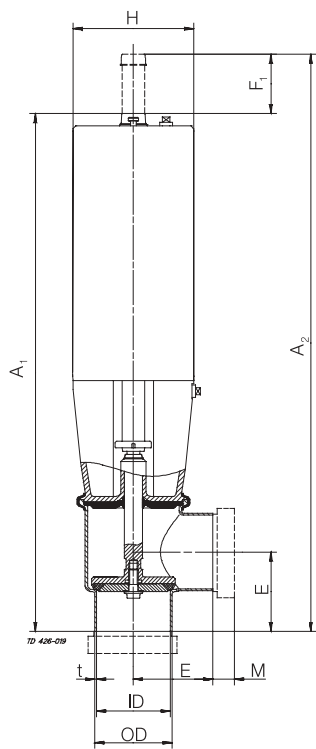
76.1 mm / DN80.



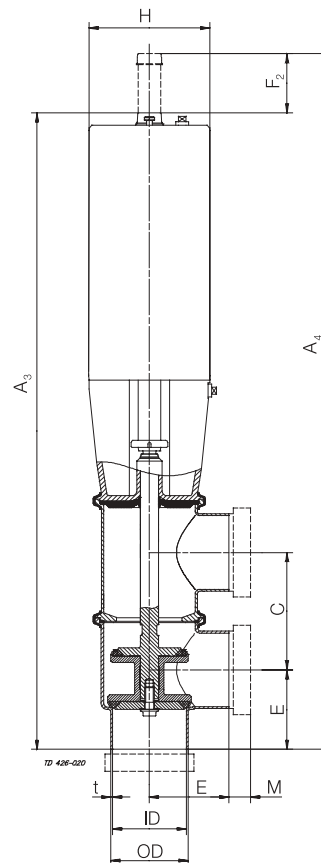
101.6 mm / DN100.

Dimensions (mm)

Size	51 mm	63.5 mm	76.1 mm	101.6 mm	50 DN	65 DN	80 DN	100 DN
A ₁	398	571	576	648	397	568	577	647
A ₂	441	634	641	713	440	631	642	712
A ₃	487	682	707	800	486	679	708	799
A ₄	530	742	767	860	529	739	768	859
C	94	113	129	163	94	113	129	160
OD	50.8	63.5	76.1	101.6	53	70	85	104
ID	47.6	60.3	72.1	97.6	50	66	81	100
t	1.6	1.6	2.0	2.0	1.5	2.0	2.0	2.0
E	61.5	82.3	87.3	133.5	61.5	82.3	87.3	133.5
F ₁	43	63	65	65	43	63	65	65
F ₂	43	60	60	60	43	60	60	60
H	87	133	133	133	87	133	133	133
M/ISO clamp	21	21	21	21				
M/ISO male	21	21	21	21				
M/DIN male					22	23	25	25
M/SMS male	20	20	24	24				
M/BS male	22	22	22	22				
Weight (kg)								
Stop	7	12	14.5	17.5	7	12	14.5	17.5
Change-over	9	16.5	19	22	9	16.5	19	22



a. Stop valve.



b. Change-over valve.

Dimensions.

Materials

Product wetted steel parts: Acid-resistant steel 1.4401 (316L).
 Other steel parts: Stainless steel 1.4301(304).
 Product wetted seals: EPDM rubber.
 Finish: Semi bright.

Technical data

Max. product pressure: 1000 kPa (10 bar).
 Min. product pressure: Full vacuum.
 Temperature range: -10°C to +140°C (EPDM)
 Air pressure: 500-600 kPa (5-6 bar).
 Max. 700 kPa (7 bar).

Max. size of solids (mm)	Valve size			
	51mm	63.5mm	76.1mm	101.6mm
Stop valve	35	55	50	50
Change-over valve				
Valve plug up	30	50	50	50
Valve plug down	15	18	24	31

Options

- A) Male parts or clamp liners in accordance with required standard.
- B) **ThinkTop**[®]
- C) Bracket system indication unit.
- D) Stainless steel seal disc replacing standard lip seal.
- E) NOT-element for extra air pressure supply (spring-closed position).
- F) Tangential side port valve.
- G) Product wetted seals of Nitrile (NBR), Fluorinated rubber (FPM) or PTFE.
- H) Service tools for actuator.

Ordering

Please state the following when ordering:

- Size.
- Actuator function NC, NO or A/A.
- Valve body combination.
- Options.
- Connections if not welding ends.