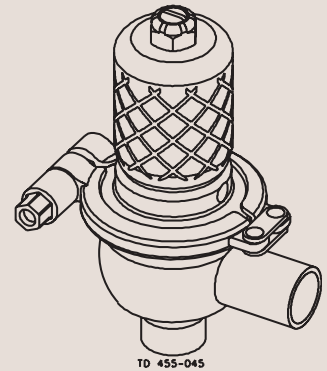
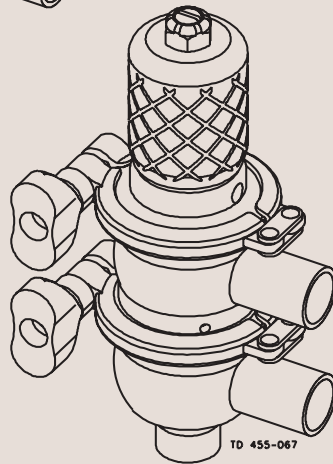
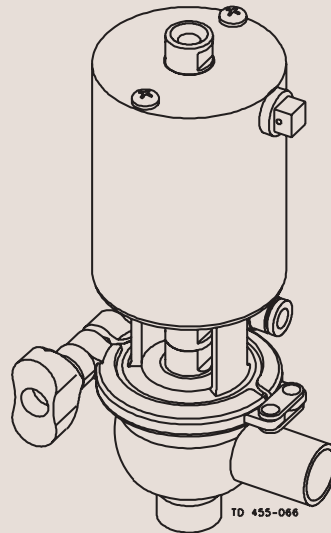
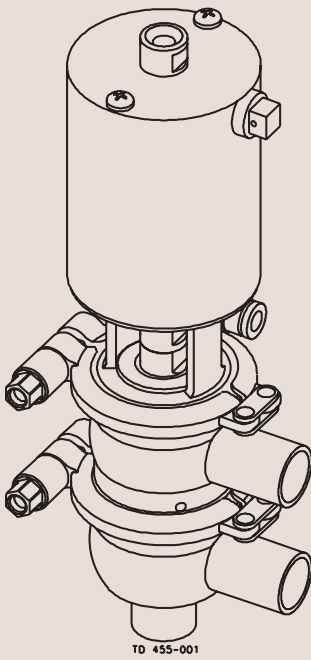




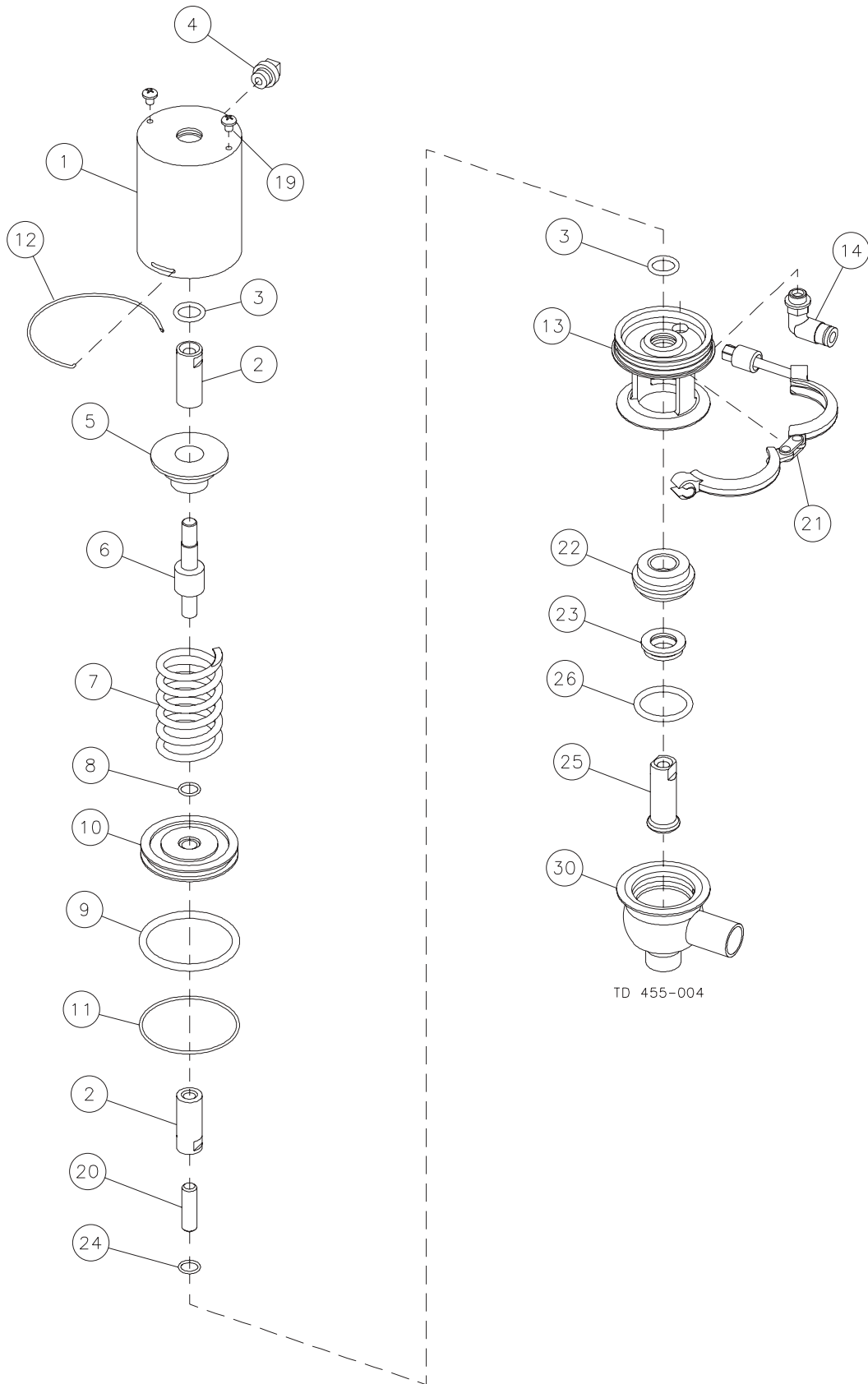
## Spare Parts

### Small Single Seat Valve



# Small Single Seat Valve Stop Valve 12.7 -19 mm

2



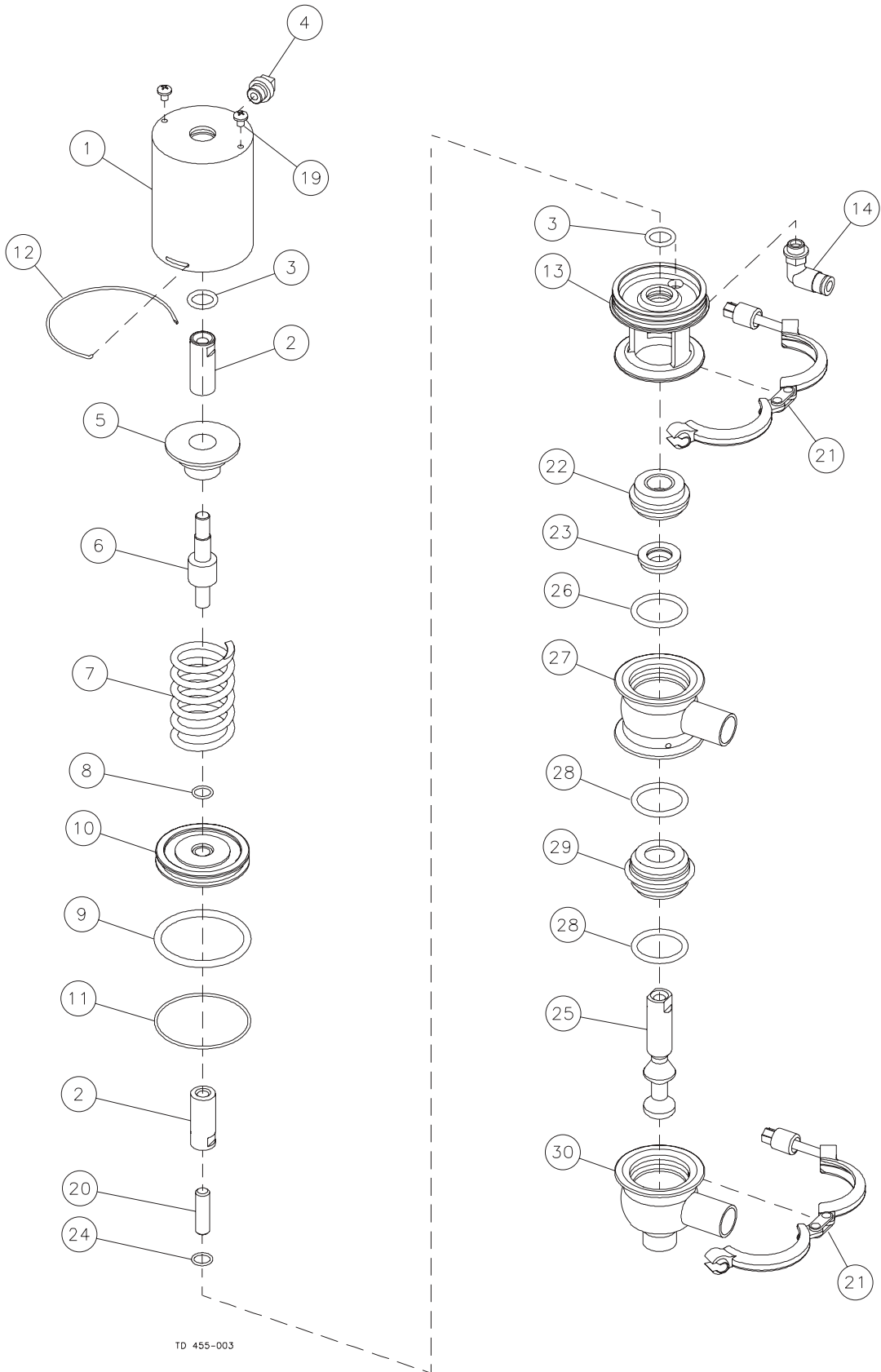
TD 455-004

## Small Single Seat Valve Stop Valve 12.7-19 mm

Pos.	Qty.	Denomination	12.7 mm	19 mm
		Actuator, complete .....	9612-9404-01	9612-9404-02
		Piston/spring package, complete (Pos. 2+5+6+7+8+10) ...	9612-9404-24	9612-9404-25
1	1	Cylinder .....	9612-9396-02	9612-9396-04
2	2	Middle piece Please order a Piston/spring package, cpl.		
3●	2	O-ring, NBR .....	9611-99-4273	9611-99-4273
4	1	Plug .....	31353-0154-1	31353-0154-1
5	1	Guide pin Please order a Piston/spring package, cpl.		
6	1	Piston rod Please order a Piston/spring package, cpl.		
7	1	Spring Please order a Piston/spring package, cpl.		
8	1	O-ring, NBR Please order a Piston/spring package, cpl.		
9●	1	O-ring, NBR .....	9611-99-4272	9611-99-4272
10	1	Piston Please order a Piston/spring package, cpl.		
11●	1	O-ring, NBR .....	9611-99-4270	9611-99-4270
12	1	Lock wire .....	9612-9394-01	9612-9394-01
13	1	Bonnet .....	9612-9390-02	9612-9390-02
14	1	Air fitting .....	9611-99-1988	9611-99-1988
19	2	Screw .....	9611-99-4401	9611-99-4401
20	1	Threaded pin .....	9611-99-4282	9611-99-4282
21	1	Clamp .....	9612-9393-01	9612-9393-01
22	1	Sealing element .....	9612-9391-01	9612-9391-01
23Δ	1	Lip seal, EPDM .....	9612-9395-01	9612-9395-01
	1	Lip seal, HNBR .....	9612-9395-02	9612-9395-02
	1	Lip seal, FPM .....	9612-9395-03	9612-9395-03
24Δ	1	O-ring, NBR .....	9611-99-4271	9611-99-4271
25Δ	1	Stop plug .....	9612-9384-01	9612-9385-01
26Δ	1	O-ring, EPDM .....	9611-99-4274	9611-99-4274
	1	O-ring, HNBR .....	9611-99-4277	9611-99-4277
	1	O-ring, FPM .....	9611-99-4276	9611-99-4276
30	1	Lower valve body with welding ends, 2 ports .....	9612-9344-17	9612-9345-17
	1	Lower valve body with welding ends, 3 ports .....	9612-9344-18	9612-9345-18
	1	Lower valve body with clamp ends, 2 ports .....	9612-9344-33	9612-9345-33
	1	Lower valve body with clamp ends, 3 ports .....	9612-9344-34	9612-9345-34
		<b>Δ Service kits, EPDM .....</b>	<b>9611-92-6319</b>	<b>9611-92-6330</b>
		<b>Δ Service kits, HNBR .....</b>	<b>9611-92-6317</b>	<b>9611-92-6328</b>
		<b>Δ Service kits, FPM .....</b>	<b>9611-92-6318</b>	<b>9611-92-6329</b>
		<b>● Service kit for actuator, NBR .....</b>	<b>9611-92-6323</b>	<b>9611-92-6323</b>

# Small Single Seat Valve Change-over Valve 12.7-19 mm

4

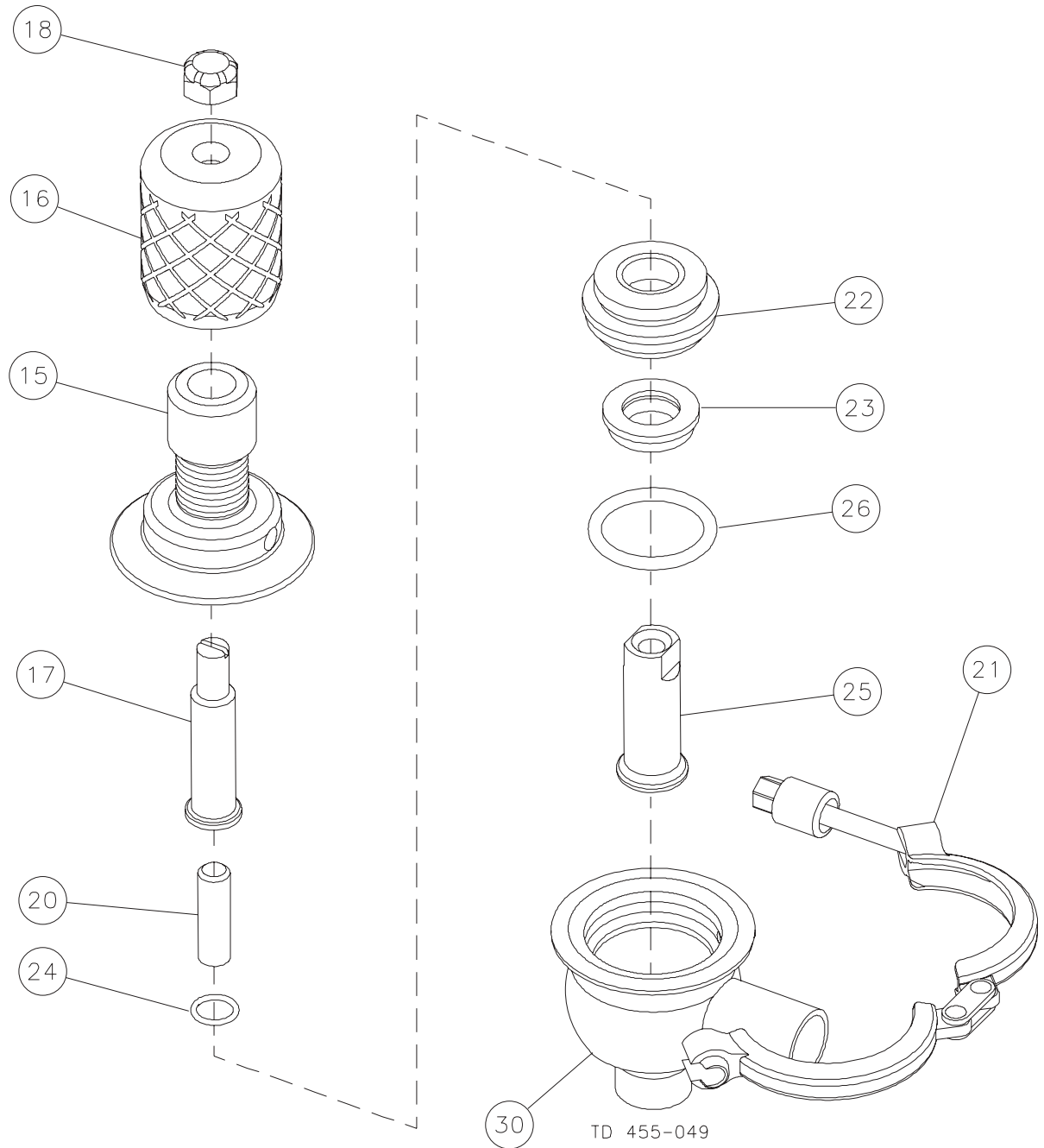


## Small Single Seat Valve Change-over Valve 12.7-19 mm

Pos.	Qty.	Denomination	12.7 mm	19 mm
		Actuator, complete .....	9612-9404-01	9612-9404-02
		Piston/spring package, complete (Pos. 2+5+6+7+8+10)...	9612-9404-24	9612-9404-25
1	1	Cylinder .....	9612-9396-02	9612-9396-04
2	2	Middle piece Please order a Piston/spring package, cpl.		
3●	2	O-ring, NBR .....	9611-99-4273	9611-99-4273
4	1	Plug .....	31353-0154-1	31353-0154-1
5	1	Guide pin Please order a Piston/spring package, cpl.		
6	1	Piston rod Please order a Piston/spring package, cpl.		
7	1	Spring Please order a Piston/spring package, cpl.		
8	1	O-ring, NBR Please order a Piston/spring package, cpl.		
9●	1	O-ring, NBR .....	9611-99-4272	9611-99-4272
10	1	Piston Please order a Piston/spring package, cpl.		
11●	1	O-ring, NBR .....	9611-99-4270	9611-99-4270
12	1	Lock wire .....	9612-9394-01	9612-9394-01
13	1	Bonnet .....	9612-9390-02	9612-9390-02
14	1	Air fitting .....	9611-99-1988	9611-99-1988
19	2	Screw .....	9611-99-4401	9611-99-4401
20	1	Threaded pin .....	9611-99-4282	9611-99-4282
21	2	Clamp .....	9612-9393-01	9612-9393-01
22	1	Sealing element .....	9612-9391-01	9612-9391-01
23Δ	1	Lip seal, EPDM .....	9612-9395-01	9612-9395-01
	1	Lip seal, HNBR .....	9612-9395-02	9612-9395-02
	1	Lip seal, FPM .....	9612-9395-03	9612-9395-03
24Δ	1	O-ring, NBR .....	9611-99-4271	9611-99-4271
25Δ	1	Change-over plug .....	9612-9387-01	9612-9388-01
26Δ	1	O-ring, EPDM .....	9611-99-4274	9611-99-4274
	1	O-ring, HNBR .....	9611-99-4277	9611-99-4277
	1	O-ring, FPM .....	9611-99-4276	9611-99-4276
27	1	Upper valve body with welding ends, 1 ports .....	9612-9347-17	9612-9348-17
	1	Upper valve body with welding ends, 2 ports .....	9612-9347-18	9612-9348-18
	1	Upper valve body with clamp ends, 1 ports .....	9612-9347-33	9612-9348-33
	1	Upper valve body with clamp ends, 2 ports .....	9612-9347-34	9612-9348-34
28Δ	2	O-ring, EPDM .....	9611-99-4274	9611-99-4274
	2	O-ring, HNBR .....	9611-99-4277	9611-99-4277
	2	O-ring, FPM .....	9611-99-4276	9611-99-4276
29	1	Valve seat .....	9612-9392-01	9612-9392-01
30	1	Lower valve body with welding ends, 2 ports .....	9612-9344-17	9612-9345-17
	1	Lower valve body with welding ends, 3 ports .....	9612-9344-18	9612-9345-18
	1	Lower valve body with clamp ends, 2 ports .....	9612-9344-33	9612-9345-33
	1	Lower valve body with clamp ends, 3 ports .....	9612-9344-34	9612-9345-34
		<b>Δ Service kits, EPDM .....</b>	<b>9611-92-6322</b>	<b>9611-92-6333</b>
		<b>Δ Service kits, HNBR .....</b>	<b>9611-92-6320</b>	<b>9611-92-6331</b>
		<b>Δ Service kits, FPM .....</b>	<b>9611-92-6321</b>	<b>9611-92-6332</b>
		<b>● Service kit for actuator, NBR .....</b>	<b>9611-92-6323</b>	<b>9611-92-6323</b>

# Small Single Seat Valve Stop Valve Manual 12.7-19 mm

6



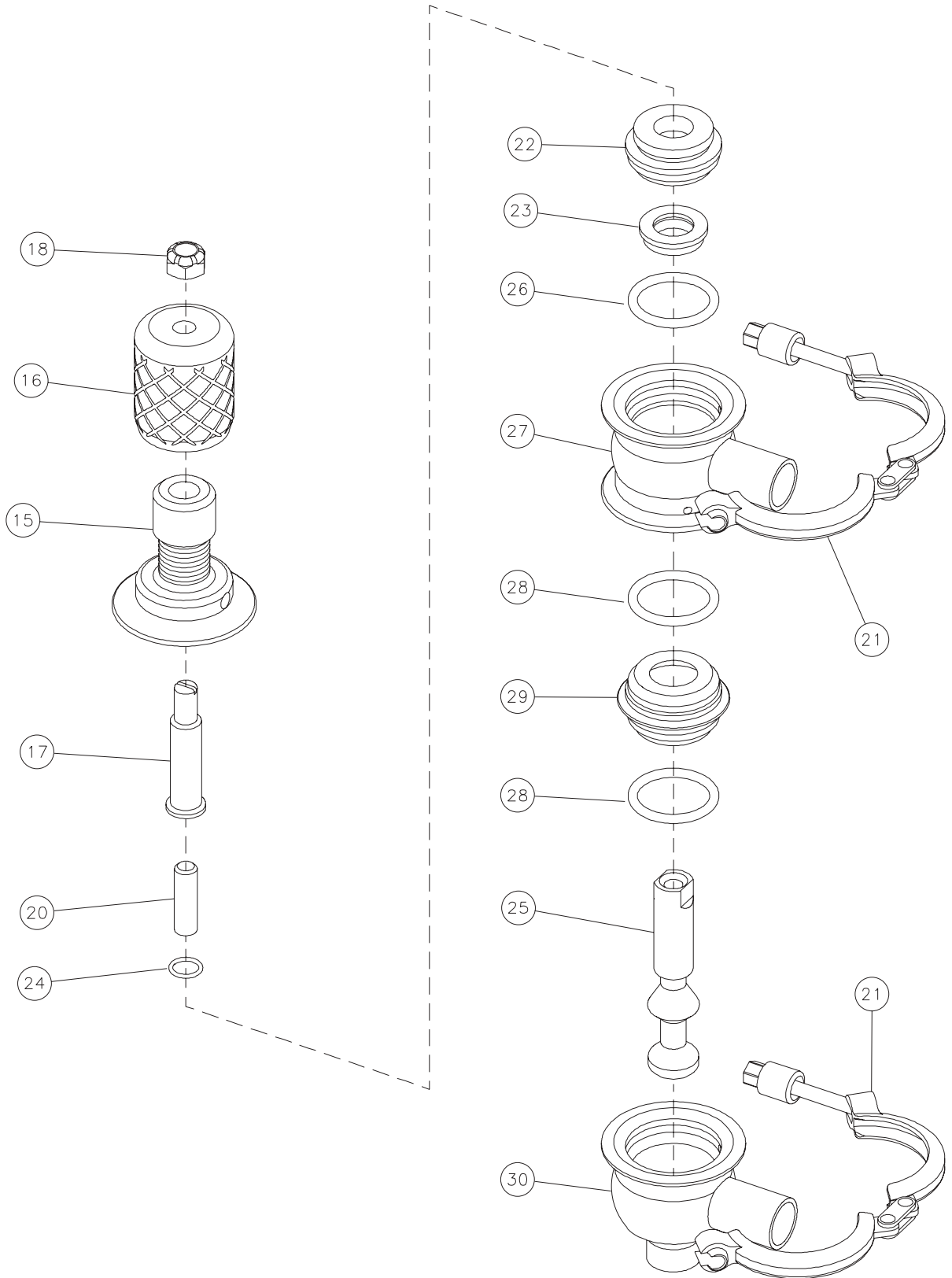
## Small Single Seat Valve Stop Valve Manual 12.7-19 mm

Pos.	Qty.	Denomination	12.7 mm	19 mm
		Manual handle, complete .....	9612-9404-08	9612-9404-08
15	1	Manual bonnet .....	9612-9441-02	9612-9441-02
16	1	Handle .....	9612-9439-01	9612-9439-01
17	1	Stem extension .....	9612-9440-01	9612-9440-01
18	1	Lock nut .....	9611-99-3808	9611-99-3808
20	1	Threaded pin .....	9611-99-4282	9611-99-4282
21	1	Clamp .....	9612-9393-01	9612-9393-01
22	1	Sealing element .....	9612-9391-01	9612-9391-01
23Δ	1	Lip seal, EPDM .....	9612-9395-01	9612-9395-01
	1	Lip seal, HNBR .....	9612-9395-02	9612-9395-02
	1	Lip seal, FPM .....	9612-9395-03	9612-9395-03
24Δ	1	O-ring, NBR .....	9611-99-4271	9611-99-4271
25Δ	1	Stop plug .....	9612-9384-01	9612-9385-01
26Δ	1	O-ring, EPDM .....	9611-99-4274	9611-99-4274
	1	O-ring, HNBR .....	9611-99-4277	9611-99-4277
	1	O-ring, FPM .....	9611-99-4276	9611-99-4276
30	1	Lower valve body with welding ends, 2 ports .....	9612-9344-17	9612-9345-17
	1	Lower valve body with welding ends, 3 ports .....	9612-9344-18	9612-9345-18
	1	Lower valve body with clamp ends, 2 ports .....	9612-9344-33	9612-9345-33
	1	Lower valve body with clamp ends, 3 ports .....	9612-9344-34	9612-9345-34
		<b>Δ Service kits, EPDM .....</b>	<b>9611-92-6319</b>	<b>9611-92-6330</b>
		<b>Δ Service kits, HNBR .....</b>	<b>9611-92-6317</b>	<b>9611-92-6328</b>
		<b>Δ Service kits, FPM .....</b>	<b>9611-92-6318</b>	<b>9611-92-6329</b>

TD 900-220

# Small Single Seat Valve Change-over Valve Manual 12.7-19 mm

8



TD 455-050



# Small Single Seat Valve Change-over Valve Manual 12.7-19 mm

Pos.	Qty.	Denomination	12.7 mm	19 mm
		Manual handle, complete .....	9612-9404-08	9612-9404-08
15	1	Manual bonnet .....	9612-9441-02	9612-9441-02
16	1	Handle .....	9612-9439-01	9612-9439-01
17	1	Stem extension .....	9612-9440-01	9612-9440-01
18	1	Lock nut .....	9611-99-3808	9611-99-3808
20	1	Threaded pin .....	9611-99-4282	9611-99-4282
21	2	Clamp .....	9612-9393-01	9612-9393-01
22	1	Sealing element .....	9612-9391-01	9612-9391-01
23Δ	1	Lip seal, EPDM .....	9612-9395-01	9612-9395-01
	1	Lip seal, HNBR .....	9612-9395-02	9612-9395-02
	1	Lip seal, FPM .....	9612-9395-03	9612-9395-03
24Δ	1	O-ring, NBR .....	9611-99-4271	9611-99-4271
25Δ	1	Change-over plug .....	9612-9387-01	9612-9388-01
26Δ	1	O-ring, EPDM .....	9611-99-4274	9611-99-4274
	1	O-ring, HNBR .....	9611-99-4277	9611-99-4277
	1	O-ring, FPM .....	9611-99-4276	9611-99-4276
27	1	Upper valve body with welding ends, 1 ports .....	9612-9347-17	9612-9348-17
	1	Upper valve body with welding ends, 2 ports .....	9612-9347-18	9612-9348-18
	1	Upper valve body with clamp ends, 1 ports .....	9612-9347-33	9612-9348-33
	1	Upper valve body with clamp ends, 2 ports .....	9612-9347-34	9612-9348-34
28Δ	2	O-ring, EPDM .....	9611-99-4274	9611-99-4274
	2	O-ring, HNBR .....	9611-99-4277	9611-99-4277
	2	O-ring, FPM .....	9611-99-4276	9611-99-4276
29	1	Valve seat .....	9612-9392-01	9612-9392-01
30	1	Lower valve body with welding ends, 2 ports .....	9612-9344-17	9612-9345-17
	1	Lower valve body with welding ends, 3 ports .....	9612-9344-18	9612-9345-18
	1	Lower valve body with clamp ends, 2 ports .....	9612-9344-33	9612-9345-33
	1	Lower valve body with clamp ends, 3 ports .....	9612-9344-34	9612-9345-34
		<b>Δ Service kits, EPDM .....</b>	<b>9611-92-6322</b>	<b>9611-92-6333</b>
		<b>Δ Service kits, HNBR .....</b>	<b>9611-92-6320</b>	<b>9611-92-6331</b>
		<b>Δ Service kits, FPM .....</b>	<b>9611-92-6321</b>	<b>9611-92-6332</b>

# Small Single Seat Valve Adapter for *ThinkTop*®

Pos.	Qty.	Denomination	9612-9476-01
1		Adapter .....	9612-9473-01
2		Screw .....	9611-99-4403
1		O-ring .....	9611-99-4402
2		Washer .....	9611-99-4404
1		Extension .....	9612-9478-01
2		Pin .....	9612-9475-01

10

(+ tegning)



**How to contact Alfa Laval**

Contact details for all countries are continually updated on our website. Please visit [www.alfalaval.com](http://www.alfalaval.com) to access the information direct.