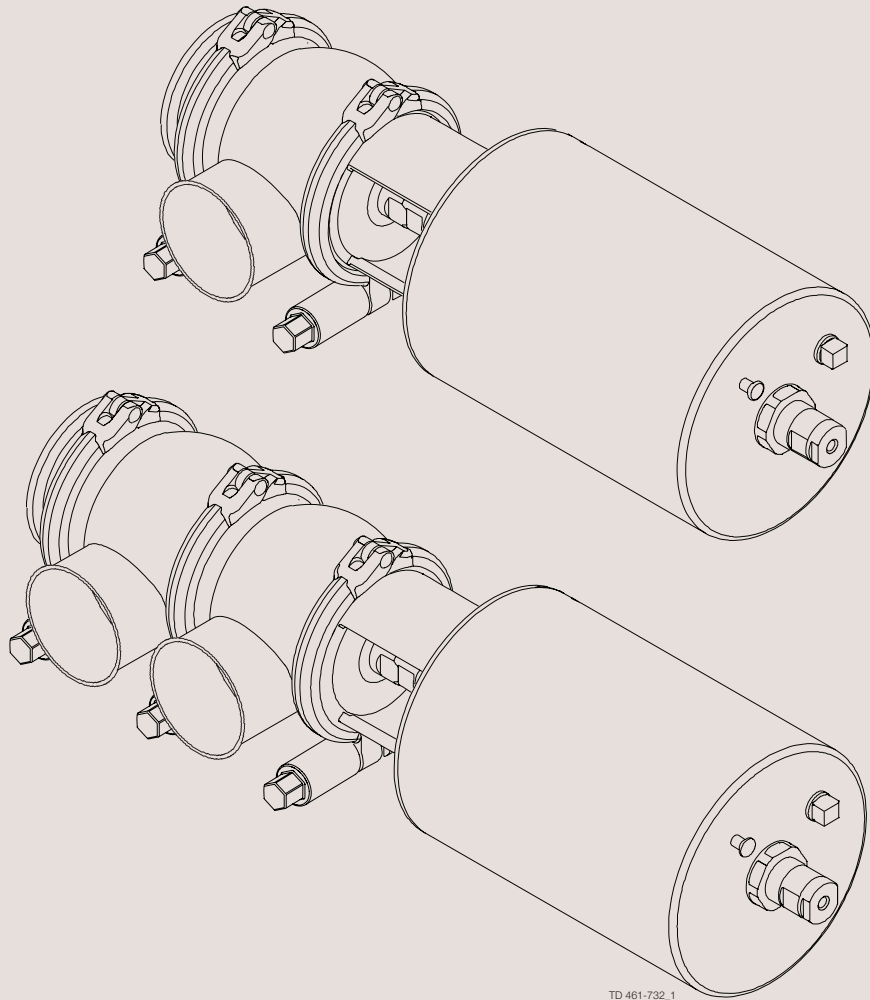




Spare Parts

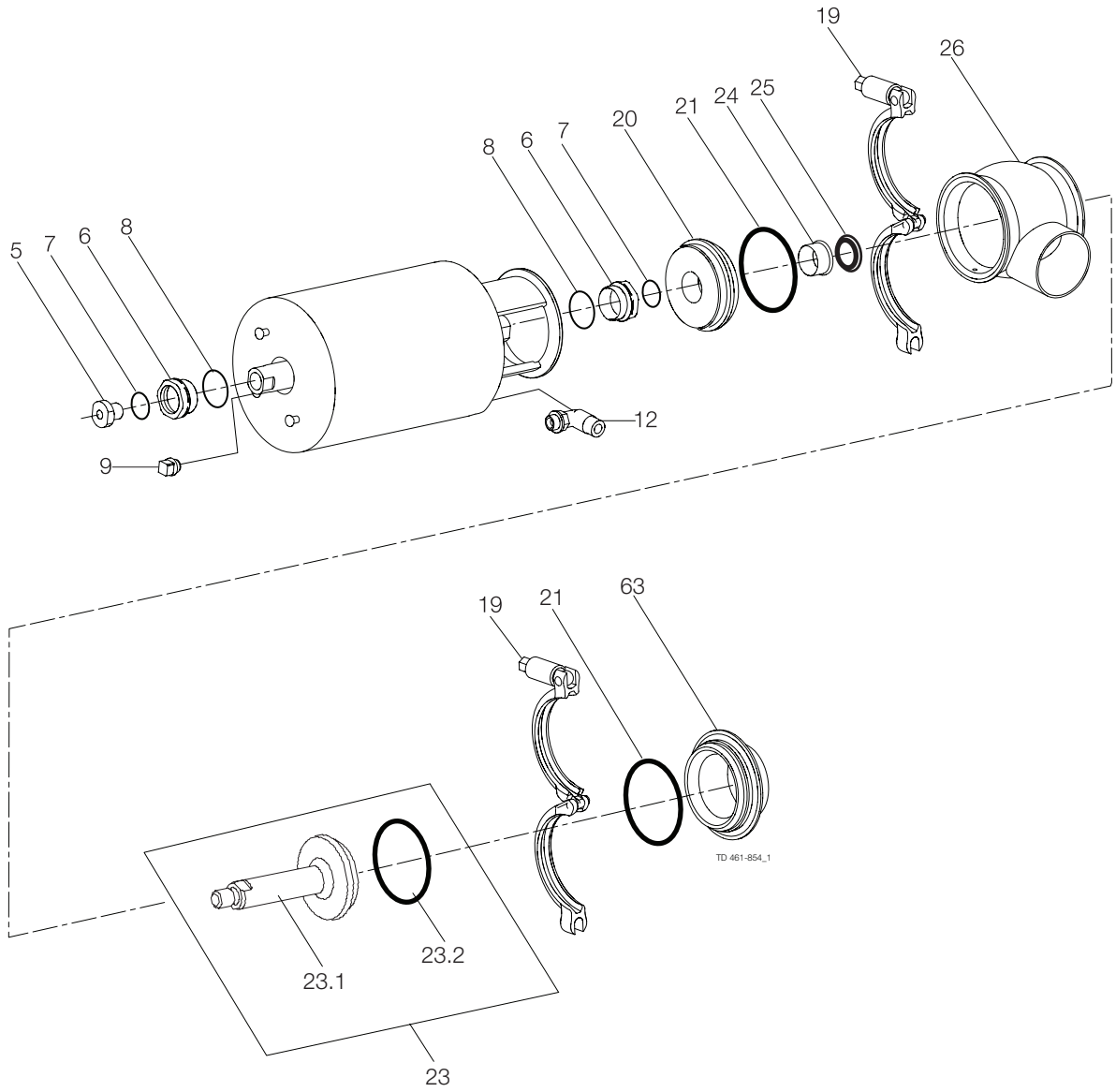
Unique Single Seat Valve - Tangential



TD 461-732_1

The information herein is correct at the time of issue but may be subject to change without prior notice

1. Unique Single Seat Valve - Tangential Shut off Valve - 51-101.6 mm	4
2. Unique Single Seat Valve -Tangential Change Over Valve - 51-101.6 mm	6
3. Mounting Tool - Unique Single Seat Valve - Tangential body/Tank valve	8



Unique Single Seat Valve - Tangential Shut off Valve - 51-101.6 mm

Pos	Qty	Denomination	51 mm	63.5 mm	76.1 mm	101.6 mm
Actuator						
		Actuator, complete (NO)	9613-1548-02	9613-1548-03	9613-1548-04	9613-1548-05
		Actuator, complete (NC)	9613-1548-07	9613-1548-08	9613-1548-09	9613-1548-10
		Actuator, complete (A/A)	9613-1548-12	9613-1548-13	9613-1548-14	9613-1548-15
5	1	Adapter	9613-1274-01	9613-1274-01	9613-1274-01	9613-1274-01
6	□ 2	Bushing				
7	□ 2	O-ring				
8	□ 2	O-ring				
9	1	Plug	9613-4141-01	9613-4141-01	9613-4141-01	9613-4141-01
12	1(2)	Air fitting	9611-99-1988	9611-99-1988	9611-99-1988	9611-99-1988
Clamp						
19	2	Clamp	9612-9393-04	9612-9393-05	9612-9393-06	9612-9393-07
Bonnet						
20	1	Bonnet	9613-1271-03	9613-1271-04	9613-1271-05	9613-1271-06
21	◆ 2	O-ring, EPDM (standard)				
	2	O-ring, HNBR				
	2	O-ring, FPM				
24	1	Bushing	9613-1250-02	9613-1250-02	9613-1250-02	9613-1250-02
25	◆ 1	Lip seal, EPDM (standard)				
	1	Lip seal, HNBR				
	1	Lip seal, FPM				
Valve Body						
26	1	Valve body, 1 port, welding ends	9613-4448-01	9613-4448-03	9613-4448-05	9613-4448-07
	1	Valve body, 2 ports, welding ends	9613-4448-02	9613-4448-04	9613-4448-06	9613-4448-08
63	1	Port seal element, welding ends	9634-0711-01	9634-0712-01	9634-0713-01	9634-0714-01
Valve Plug						
23	1	Plug, shut off, complete, EPDM (standard)	9613-1388-03	9613-1388-04	9613-1388-05	9613-1388-06
	1	Plug, shut off, complete, HNBR	9613-1388-15	9613-1388-16	9613-1388-17	9613-1388-18
	1	Plug, shut off, complete, FPM	9613-1388-27	9613-1388-28	9613-1388-29	9613-1388-30
23.1	1	Plug, shut off	9613-1398-03	9613-1398-04	9613-1398-05	9613-1398-06
23.2	◆ 1	Plug seal, EPDM (standard)				
	1	Plug seal, HNBR				
	1	Plug seal, FPM				

Actuator

Service kit □ 9611-92-6500

Product wetted parts

51 mm

Service kit, EPDM ◆ 9611-92-6743
 Service kit, HNBR ◆ 9611-92-6747
 Service kit, FPM ◆ 9611-92-6751

63.5 mm

Service kit, EPDM ◆ 9611-92-6744
 Service kit, HNBR ◆ 9611-92-6748
 Service kit, FPM ◆ 9611-92-6752

76.1 mm

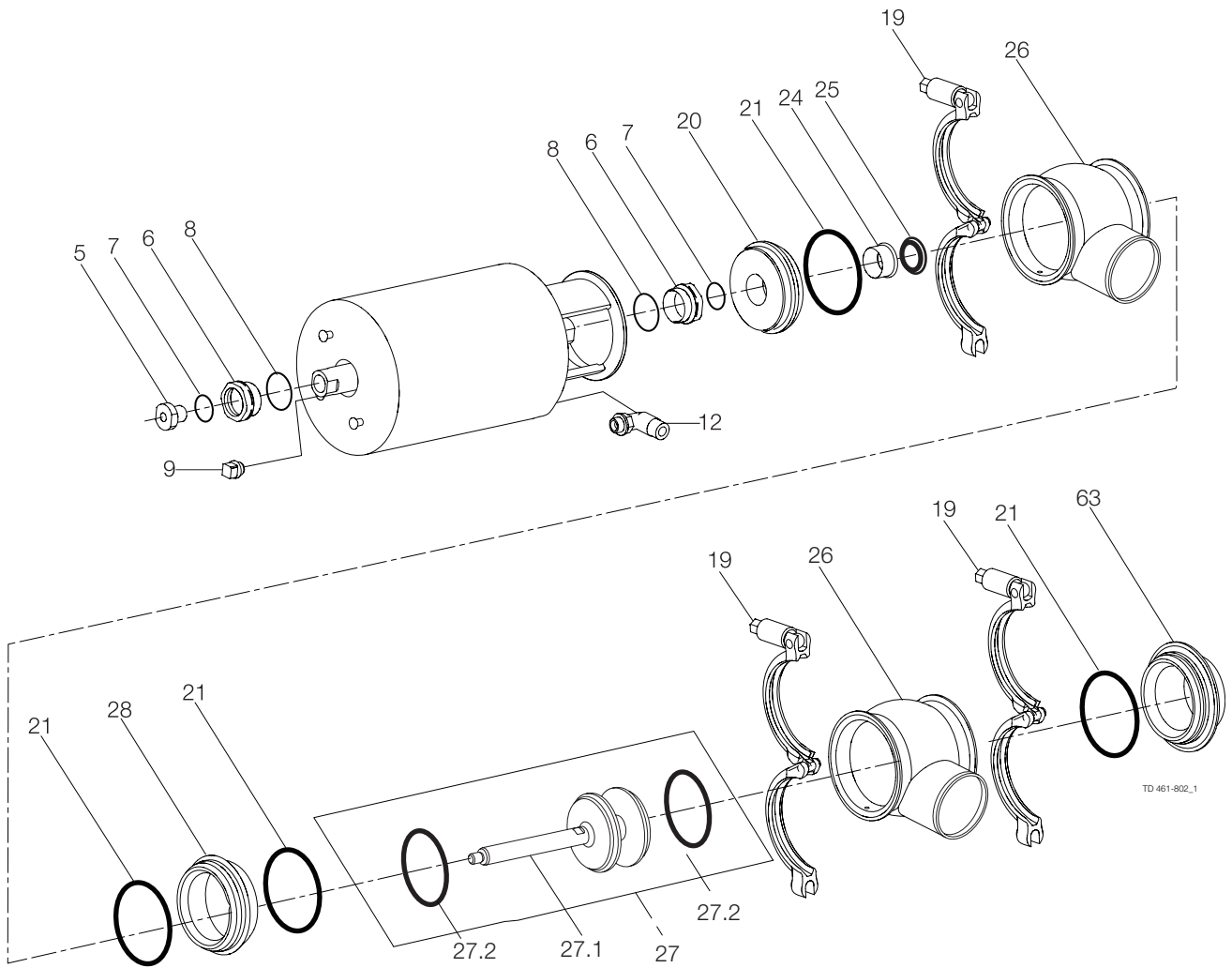
Service kit, EPDM ◆ 9611-92-6745
 Service kit, HNBR ◆ 9611-92-6749
 Service kit, FPM ◆ 9611-92-6753

101.6 mm

Service kit, EPDM ◆ 9611-92-6746
 Service kit, HNBR ◆ 9611-92-6750
 Service kit, FPM ◆ 9611-92-6754

Parts marked with □◆ are included in the service kits.

Recommended spare parts: Service kits.



TD 461-802_1

Unique Single Seat Valve -Tangential Change Over Valve - 51-101.6 mm

Pos	Qty	Denomination	51 mm	63.5 mm	76.1 mm	101.6 mm
Actuator						
		Actuator, complete (NO)	9613-1548-02	9613-1548-03	9613-1548-04	9613-1548-05
		Actuator, complete (NC)	9613-1548-07	9613-1548-08	9613-1548-09	9613-1548-10
		Actuator, complete (A/A)	9613-1548-12	9613-1548-13	9613-1548-14	9613-1548-15
5	1	Adapter	9613-1274-01	9613-1274-01	9613-1274-01	9613-1274-01
6	□	Bushing				
7	□	O-ring				
8	□	O-ring				
9	1	Plug	9613-4141-01	9613-4141-01	9613-4141-01	9613-4141-01
12	1(2)	Air fitting	9611-99-1988	9611-99-1988	9611-99-1988	9611-99-1988
Clamp						
19	3	Clamp	9612-9393-04	9612-9393-05	9612-9393-06	9612-9393-07
Bonnet						
20	1	Bonnet	9613-1271-03	9613-1271-04	9613-1271-05	9613-1271-06
21	◆	O-ring, EPDM (standard)				
	4	O-ring, HNBR				
	4	O-ring, FPM				
24	1	Bushing	9613-1250-02	9613-1250-02	9613-1250-02	9613-1250-02
25	◆	Lip seal, EPDM (standard)				
	1	Lip seal, HNBR				
	1	Lip seal, FPM				
Seat						
28	1	Seat	9613-1275-03	9613-1275-04	9613-1275-05	9613-1275-06
Valve Body						
26	1	Valve body, 1 port, welding ends	9613-4448-01	9613-4448-03	9613-4448-05	9613-4448-07
	1	Valve body, 2 ports, welding ends	9613-4448-02	9613-4448-04	9613-4448-06	9613-4448-08
63	1	Port seal element, welding ends	9634-0711-01	9634-0712-01	9634-0713-01	9634-0714-01
Valve Plug						
27	1	Plug, change over, complete, EPDM (standard)	9613-1277-03	9613-1277-04	9613-1277-05	9613-1277-06
	1	Plug, change over, complete, HNBR	9613-1277-15	9613-1277-16	9613-1277-17	9613-1277-18
	1	Plug, change over, complete, FPM	9613-1277-27	9613-1277-28	9613-1277-29	9613-1277-30
27.1	1	Plug, change over	9613-1400-03	9613-1400-04	9613-1400-05	9613-1400-06
27.2	◆	Plug seal, EPDM (standard)				
	2	Plug seal, HNBR				
	2	Plug seal, FPM				

Actuator

Service kit □ 9611-92-6500

Product wetted parts

51 mm

Service kit, EPDM ◆ 9611-92-6755
 Service kit, HNBR ◆ 9611-92-6759
 Service kit, FPM ◆ 9611-92-6763

63.5 mm

Service kit, EPDM ◆ 9611-92-6756
 Service kit, HNBR ◆ 9611-92-6760
 Service kit, FPM ◆ 9611-92-6764

76.1 mm

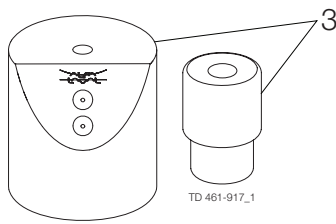
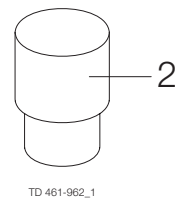
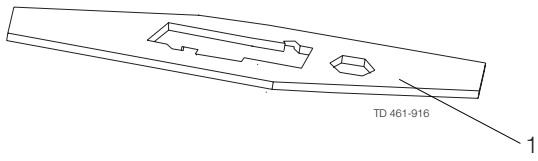
Service kit, EPDM ◆ 9611-92-6757
 Service kit, HNBR ◆ 9611-92-6761
 Service kit, FPM ◆ 9611-92-6765

101.6 mm

Service kit, EPDM ◆ 9611-92-6758
 Service kit, HNBR ◆ 9611-92-6762
 Service kit, FPM ◆ 9611-92-6766

Parts marked with □◆ are included in the service kits.

Recommended spare parts: Service kits.



Mounting Tool - Unique Single Seat Valve - Tangential

Pos	Qty	Denomination	DN 50-65 51-63.5 mm	DN 80-100 76.1-101.6 mm
1	1	Service tool for Maintainable actuator	31353-0219-1	9612-4550-01

TD 900-516

Pos	Qty	Denomination	DN 50-100 51-101.6 mm
2	1	Tool for bushing (pos. 24)	9613-1609-01

Pos	Qty	Denomination	DN 50 51 mm	DN 65 63.5 mm	DN 80 76.1 mm	DN 100 101.6 mm
3	1	Mounting tool for elastomer plug seals	9613-1729-02	9613-1729-02	9613-1729-03	9613-1729-03

TD 900-522

How to contact Alfa Laval

Contact details for all countries are continually updated on our website.

Please visit www.alfalaval.com to access the information direct.