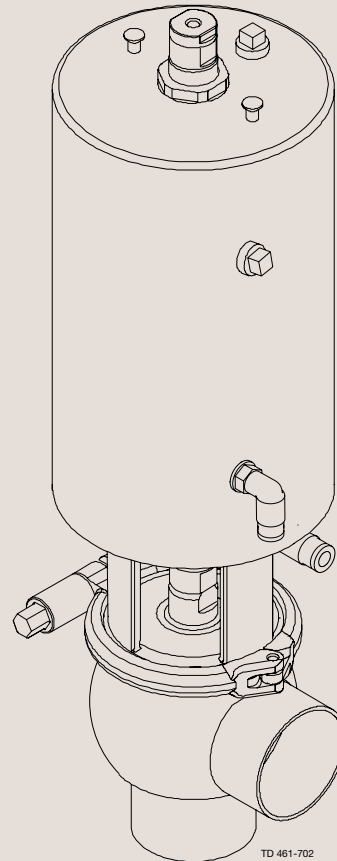
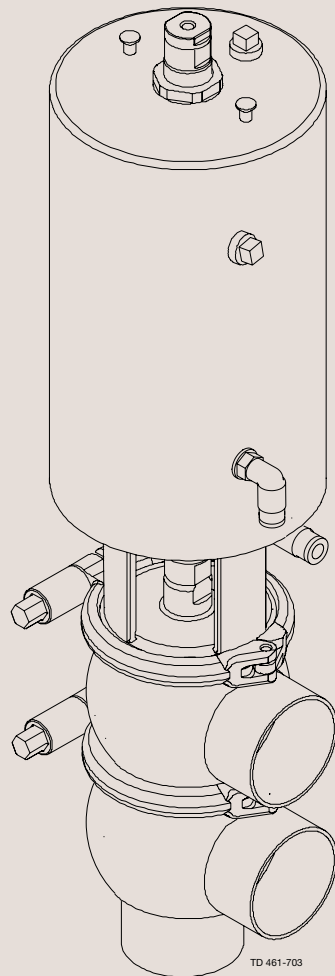




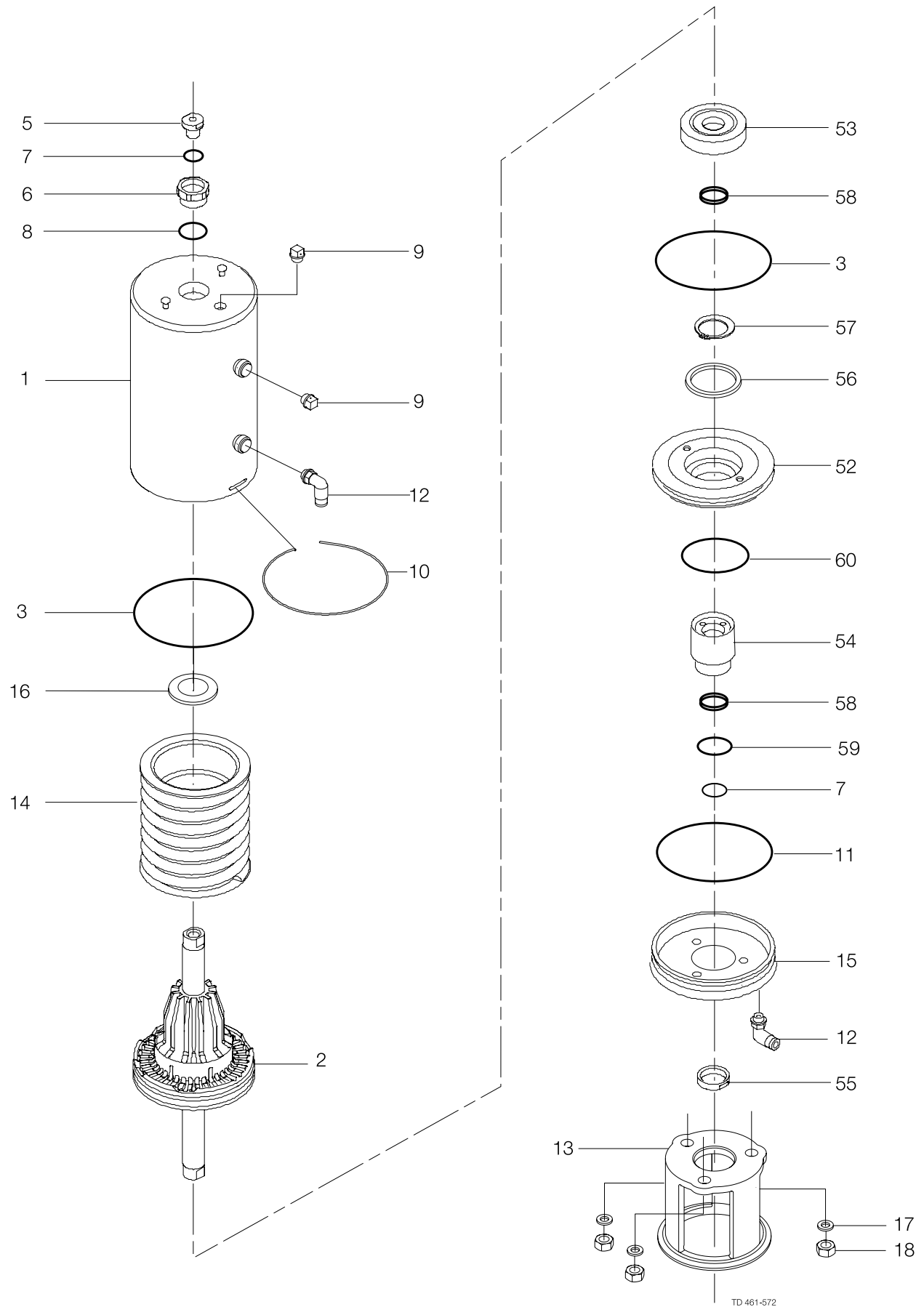
Spare Parts

Unique Single Seat Valve - Two Step



Unique Single Seat Valve -
Two Step Maintainable actuator
38-101,6mm/DN40-100

Drawing



TD 461-572

ACTUATOR

Pos.	Qty	Denomination	DN 40 38 mm	DN 50 51 mm	DN65 63.5 mm	DN 80 76 mm	DN 100 101.6 mm
		Actuator - complete (NC) Shut-off	9613-1687-01	9613-1687-02	9613-1687-02	9613-1687-03	9613-1687-03
		Actuator - complete (NO) Change-over valve	9613-1687-25	9613-1687-25	9613-1687-25	9613-1687-26	9613-1687-26
		Actuator - complete (NC) Change-over valve	9613-1687-17	9613-1687-17	9613-1687-17	9613-1687-18	9613-1687-18
1	1	Cylinder	9613-1677-05	9613-1677-05	9613-1677-05	9613-1677-06	9613-1677-06
2	1	Piston	9613-1323-04	9613-1323-04	9613-1323-04	9613-1324-05	9613-1324-05
3	• 2	O-ring					
5	1	Adapter.....	9613-1274-01	9613-1274-01	9613-1274-01	9613-1274-01	9613-1274-01
6	• 1	Bushing					
7	• 2	O-ring					
8	• 1	O-ring					
9	2	Plug	9613-4141-01	9613-4141-01	9613-4141-01	9613-4141-01	9613-4141-01
10	1	Lock wire	9613-1432-02	9613-1432-02	9613-1432-02	9613-1432-03	9613-1432-03
11	• 1	O-ring					
12	2	Air fitting.....	9611-99-1988	9611-99-1988	9611-99-1988	9611-99-1988	9611-99-1988
14	1	Spring assembly	9613-1325-02	9613-1325-02	9613-1325-02	9613-1325-03	9613-1325-03
15	1	Bottom	9613-1327-02	9613-1327-02	9613-1327-02	9613-1327-03	9613-1327-03
16	• 1	Support disc					
52	1	Piston	9613-1678-01	9613-1678-01	9613-1678-01	9613-1679-01	9613-1679-01
53	1	Thrust plate.....	9613-1682-01	9613-1682-01	9613-1682-01	9613-1682-01	9613-1682-01
54	1	Guide.....	9613-1680-01	9613-1680-01	9613-1680-01	9613-1681-01	9613-1681-01
55	1	Nut	9613-1683-01	9613-1683-01	9613-1683-01	9613-1683-01	9613-1683-01
56	2	Spacer (only for Shut-off valve).....	9613-1684-02				
	3	Spacer (only for Shut-off valve).....		9613-1684-02	9613-1684-02	9613-1684-02	9613-1684-02
	1	Spacer (only for Shut-off valve).....		9613-1684-01	9613-1684-01	9613-1684-01	9613-1684-01
	2	Spacer (only for Shut-off valve).....				9613-1684-01	9613-1684-01
	1	Spacer (only for NO Change-over valve).....				9613-1684-01	9613-1684-01
57	1	Lock ring.....	519975-09	519975-09	519975-09	519975-09	519975-09
58	2	Guide ring.....	9613-0084-24	9613-0084-24	9613-0084-24	9613-0084-24	9613-0084-24
59	• 1	O-ring					
60	• 1	O-ring					
Yoke							
13	1	Yoke	9613-1330-01	9613-1331-01	9613-1332-01	9613-1333-01	9613-1334-01
17	3	Washer	9611-99-1888	9611-99-1888	9611-99-1888	9611-99-1888	9611-99-1888
18	3	Nut	9611-99-0360	9611-99-0360	9611-99-0360	9611-99-0360	9611-99-0360
	•	Service kit, Actuator	9611-92-6738	9611-92-6738	9611-92-6738	9611-92-6739	9611-92-6739

Parts marked with • are included in the service kits (actuator)
Recommended spare parts: Service kits.

How to contact Alfa Laval

Contact details for all countries are continually updated on our website. Please visit www.alfalaval.com to access the information direct.