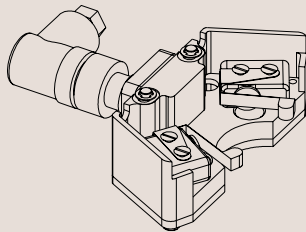


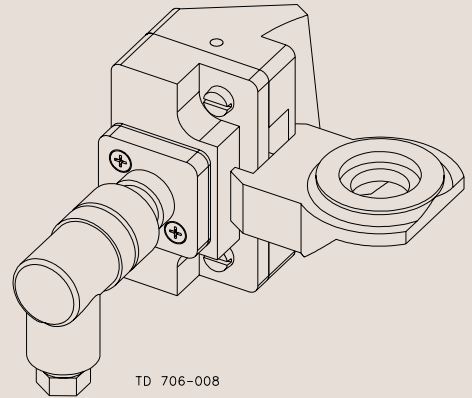


## Spare Parts List

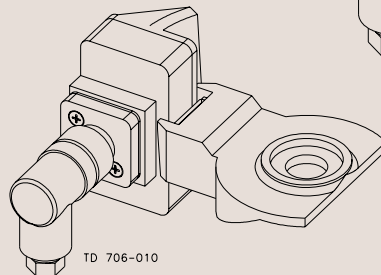
### Indication Units



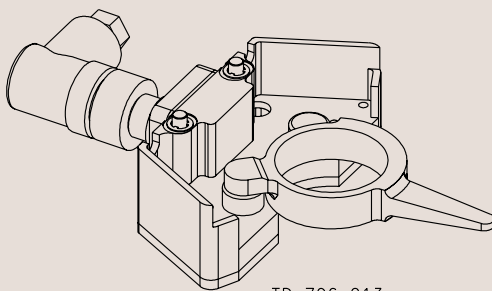
TD 706-007



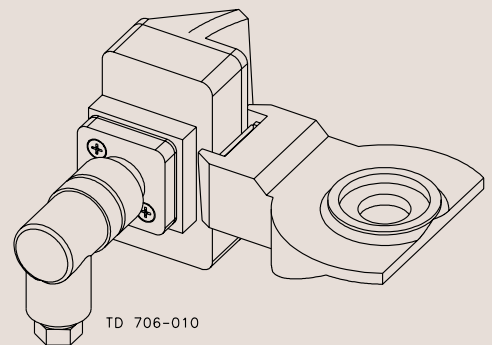
TD 706-008



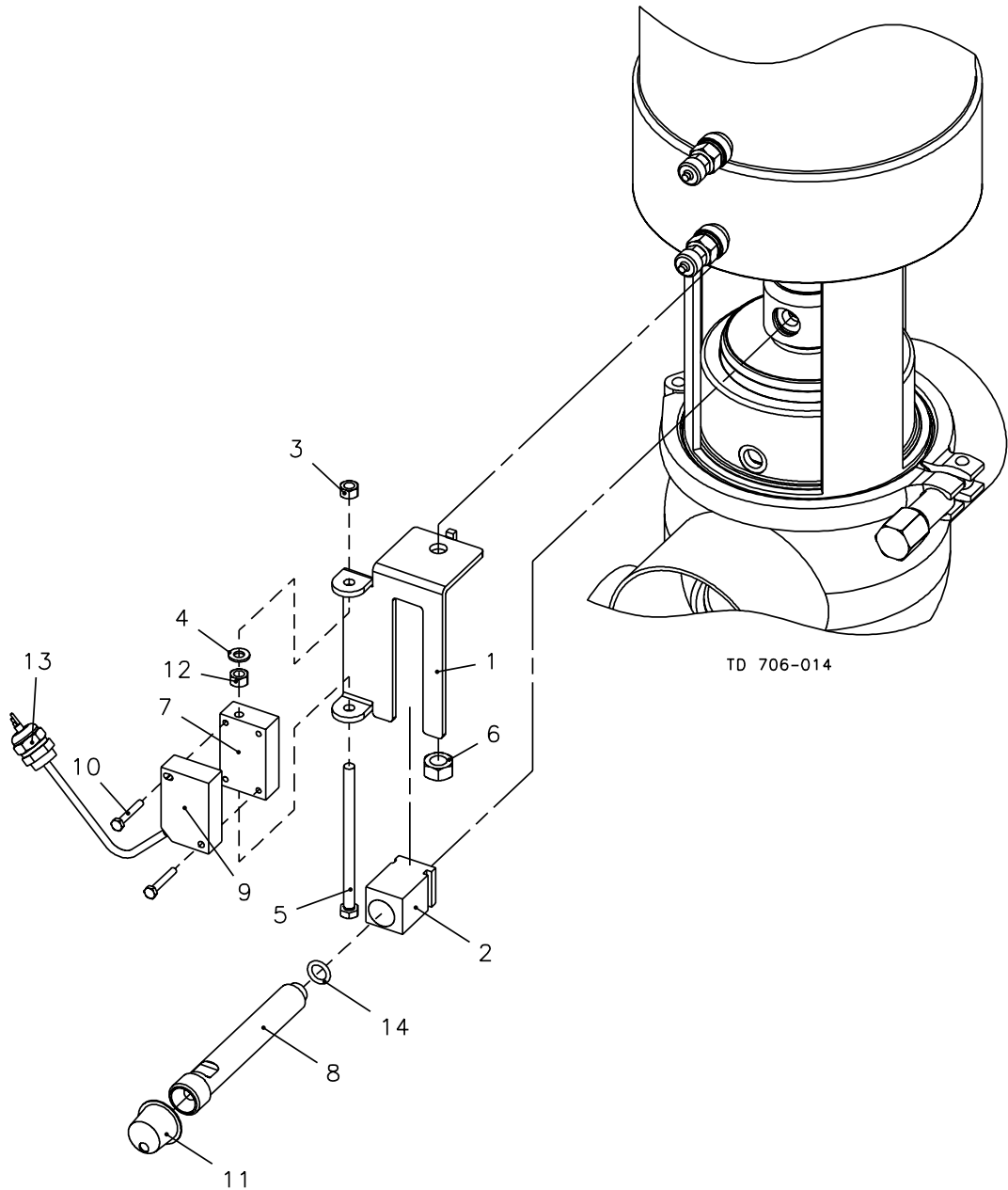
TD 706-010



TD 706-013



TD 706-010



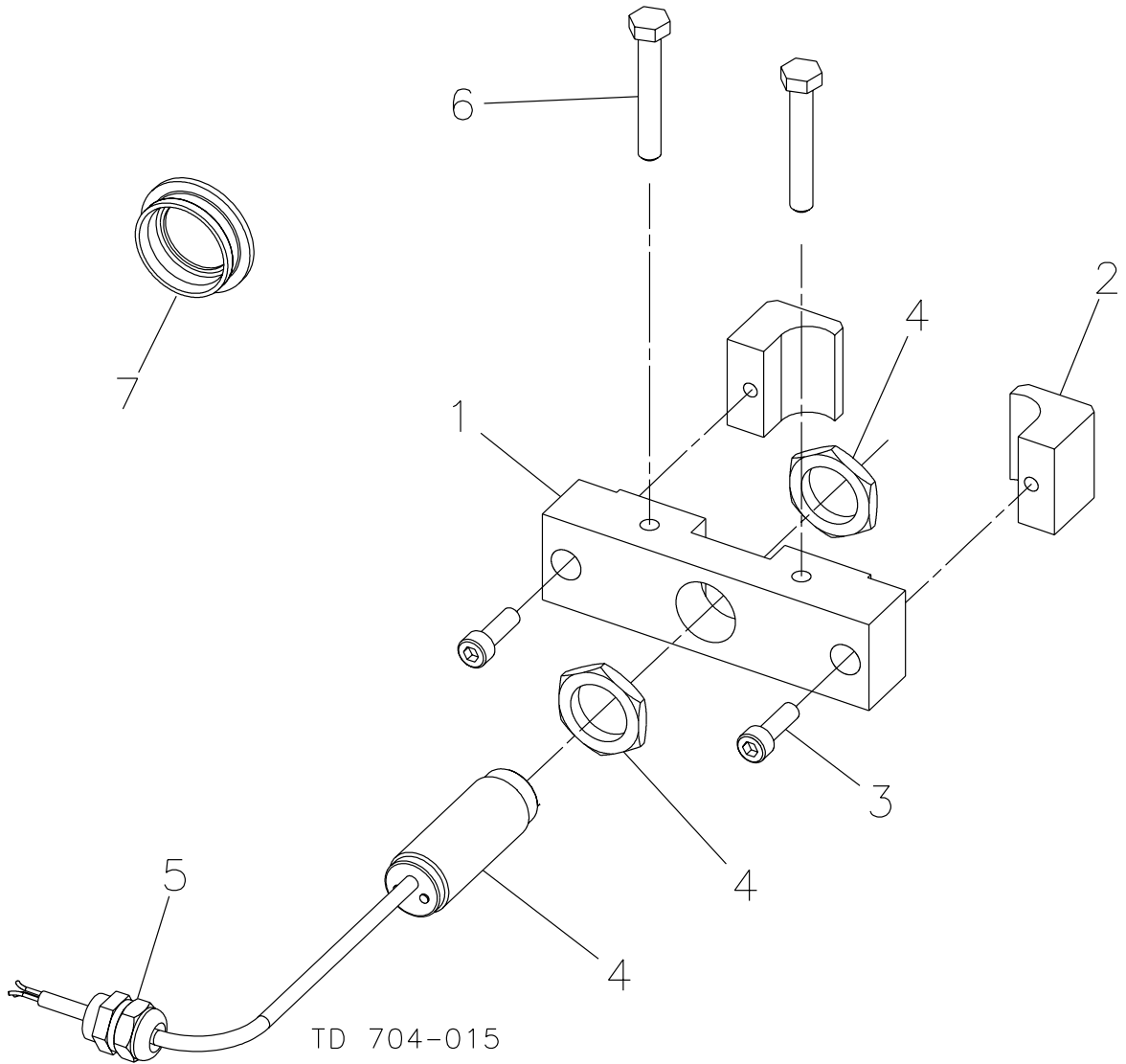
## Indication for *Unique*

Pos.	Qty.	Denomination	Complete unit	Complete unit
			9613-0804-01 (DC only) 38 - 101.6 mm DN40 - DN150 Sch. 5 2"-6"	9613-0804-02 (AC/DC) 38 - 101.6 mm DN40 - DN150 Sch. 5 2"-6"
1	1	Bracket .....	9613-0803-01	9613-0803-01
2	1	Slide block .....	9613-0802-01	9613-0802-01
3	1	Self-locking nut .....	9611-99-3807	9611-99-3807
4	1	Washer .....	9612-6906-09	9612-6906-09
5	1	Screw .....	9611-99-3805	9611-99-3805
6	1	Self-locking nut .....	9611-99-3808	9611-99-3808
7	1	Sensor block .....	9613-0801-01	9613-0801-01
8	1	Flushing pipe .....	31357-1017-4	31357-1017-4
9	1	Inductive sensor .....	9611-99-3806	9611-99-4211
10	2	Screw .....	9611-99-3804	9611-99-3804
11	1	Plug .....	9613-0805-01	9613-0805-01
12	1	Nut .....	9611-99-0204	9611-99-0204
13	1	Cable gland .....	9611-99-3603	9611-99-3603
14	1	O-ring for flushing pipe .....	9611-99-3119	9611-99-3119

TD 900-191

# Bracket with sensor unit for SMP-SC

4

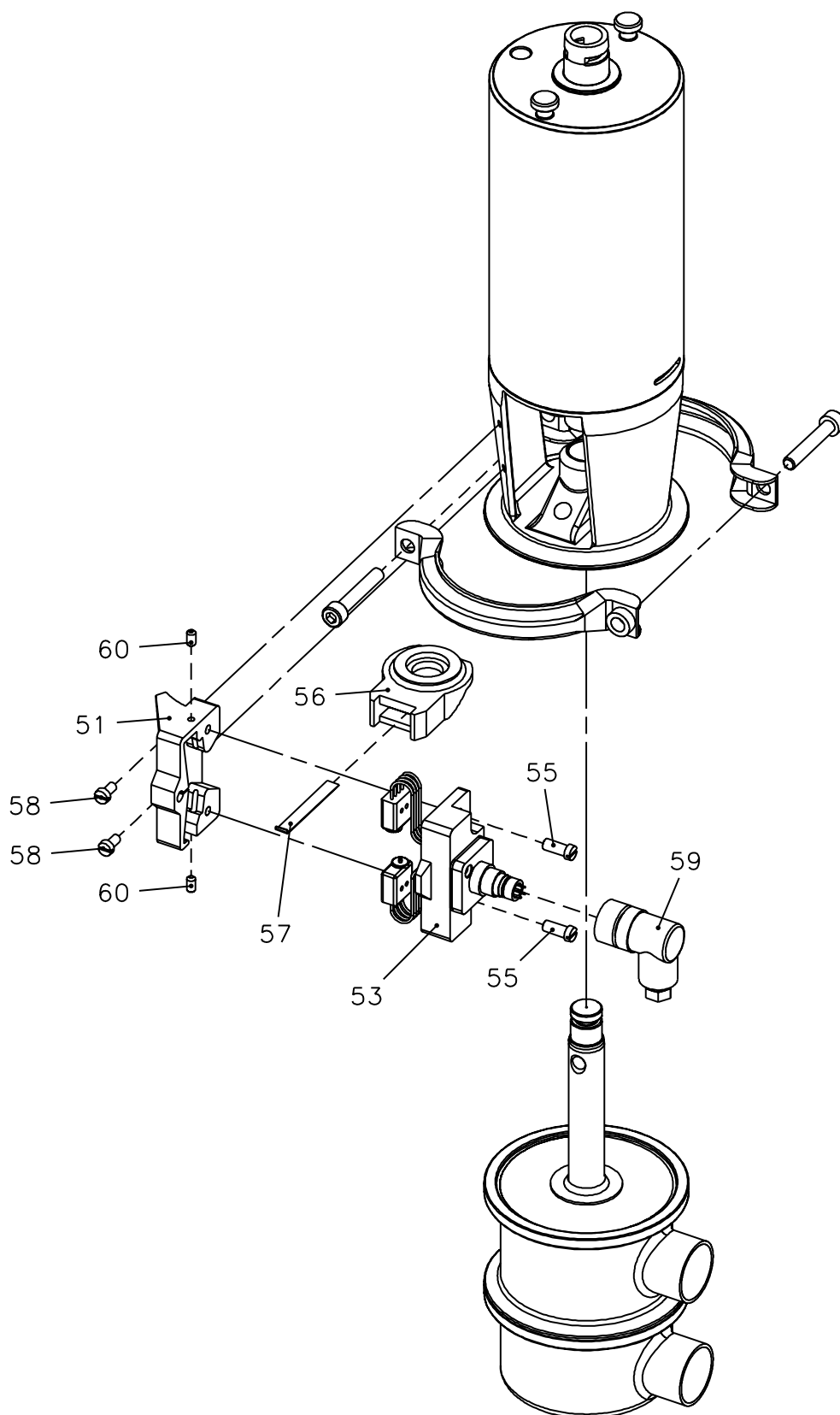


# Bracket with sensor unit for SMP-SC

Pos.	Qty.	Denomination	51-76.1 mm	101.6 mm
			DN 50-65	DN 80-100
	1	Complete bracket with sensor unit DC .....	9612-6084-01	
	1	Complete bracket with sensor unit DC .....		9612-6084-02
	1	Complete bracket with sensor unit AC/DC .....	9612-6084-03	
	1	Complete bracket with sensor unit AC/DC .....		9612-6084-04
1	1	Support Please order new complete bracket with sensor unit		
2	2	Claw .....	9612-6083-01	9612-6083-01
3	2	Screw .....	9611-99-3794	9611-99-3794
4	1	Sensor DC Please order new complete bracket with sensor unit		
	1	Sensor AC/DC Please order new complete bracket with sensor unit		
5	1	Cable gland .....	9611-99-3603	9611-99-3603
6	2	Screw .....	9612-6491-01	9612-6491-02
7	1	Lock ring .....	9612-2983-01	9612-3136-01

# Micro Switch Unit for Valve Type SRC

6



TD 706-001

## Micro Switch Unit for Valve Type SRC

Complete units			38-63.5 mm DN40 - DN65	76.1-101.6 mm DN80 - DN100
Pos.	Qty	Denomination		
		Micro-switch unit, complete with female plug (Period 0206- ) Micro-switch lower	9612-5228-05	9612-5229-05
		Micro-switch unit, complete with female plug (Period 0206- ) Micro-switch upper and lower	9612-5228-06	9612-5229-06
		Micro-switch unit, complete with female plug (Period 0206- ) Micro-switch upper	9612-5228-04	9612-5229-04
		Micro-switch unit, complete (Period -0206) Micro-switch lower	31353-0550-1	31353-0551-1
		Micro-switch unit, complete (Period -0206) Micro-switch upper and lower	31353-0550-2	31353-0551-2
		Micro-switch unit, complete (Period -0206) Micro-switch upper	31353-0550-3	31353-0551-3

Pos.	Qty	Denomination	38-63.5 mm DN40 - DN65	76.1-101.6 mm DN80 - DN100
51	1	Holder	31353-0415-1	31353-0415-1
53	1	Switch unit, one (1) micro-switch (Period 0206- )	9612-5226-03	9612-5226-03
	1	Switch unit, two (2) micro-switches (Period 0206- )	9612-5226-04	9612-5226-04
	1	Switch unit, one (1) micro-switch (Period -0206)	31353-0548-1	31353-0548-1
	1	Switch unit, two (2) micro-switches (Period -0206)	31353-0548-2	31353-0548-2
55	2	Screw	72018	72018
56	1	Ring	31353-0283-1	31353-0284-1
57	1	Spring	31353-0510-1	31353-0510-1
58	2	Screw	221121-48	221121-48
59	1	Female plug (Period 0206- )	9611-99-3245	9611-99-3245
	1	Cable connector, complete for 4.5 - 7 mm cable (Period -0206)	31801-2122-2	31801-2122-2
60	2	Adjustment screw	221581-92	221581-92

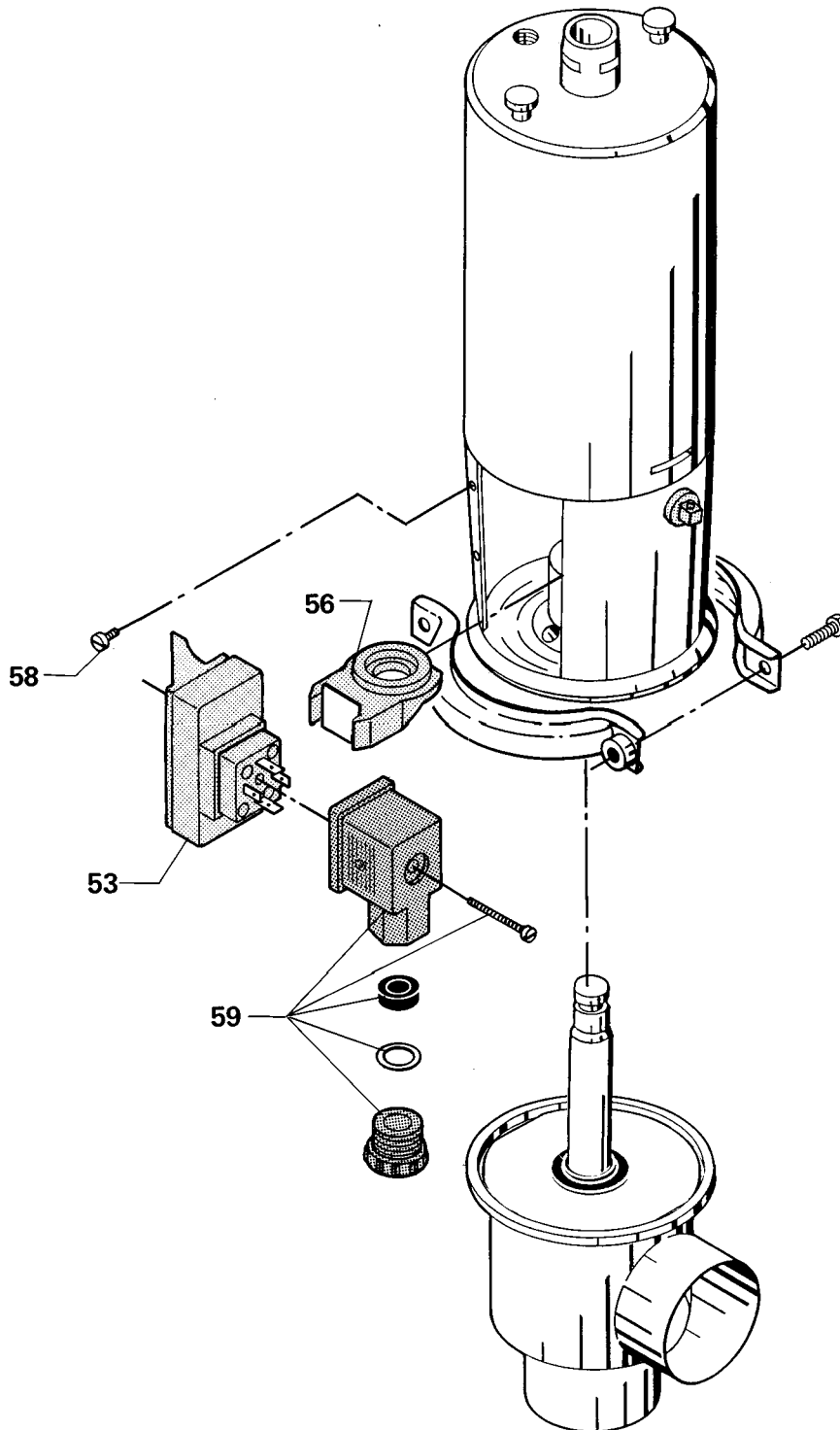
Recommended spare parts: Pos.57.

TD 900-078/1

Proximity Switch Unit  
for Valve Type SRC

Not manufactured anymore

8





## Proximity Switch Unit for Valve Type SRC

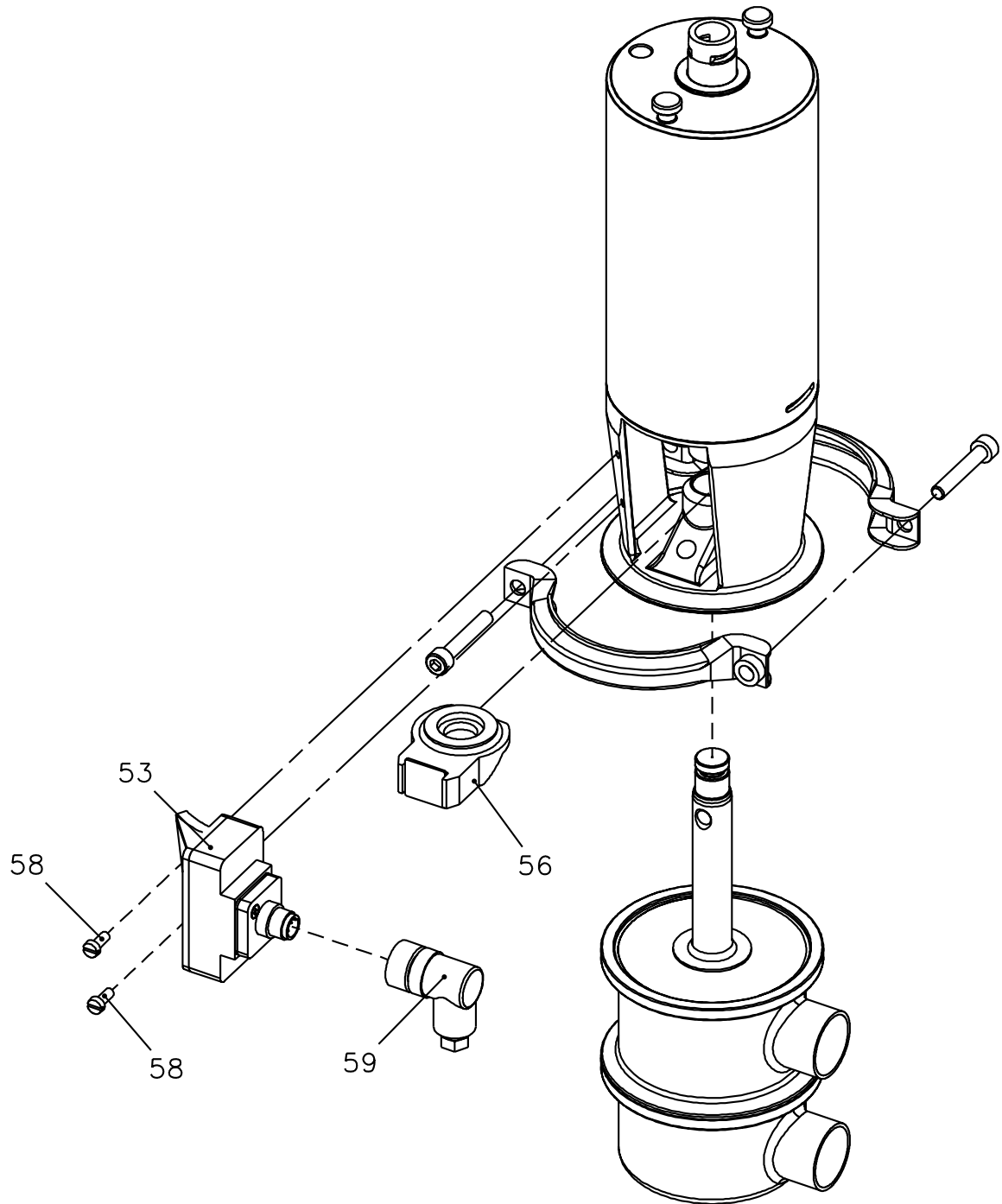
			38-63.5 mm DN40 - DN65	76.1-101.6 mm DN80 -DN100
		Change-over valve	31353-0555-1	31353-0555-3
		Stop valve	31353-0555-2	31353-0555-4
		Stop valve ARC	31353-0555-5	31353-0555-6
Pos.	Qty	Denomination		
53	1	Switch unit, complete with 2 switches .....	31353-0554-1	31353-0554-2
56	1	Ring (grey) Change-over valve .....	31353-0660-1	31353-0661-1
	1	Ring (black) Stop valve .....	31353-0660-2	31353-0661-2
	1	Ring (beige) Stop valve (ARC) .....	31353-0660-3	31353-0661-3
58	2	Screw .....	221121-48	221121-06
59	1	Cable connector, complete for 4.5 - 7 mm cable .....	31801-2122-2	31801-2122-2

TD 900-079/1

Not manufactured anymore

# Inductive Proximity Switch Unit for Valve Type SRC/ARC

10



TD 706-002

## Inductive Proximity Switch Unit for Valve Type SRC/ARC

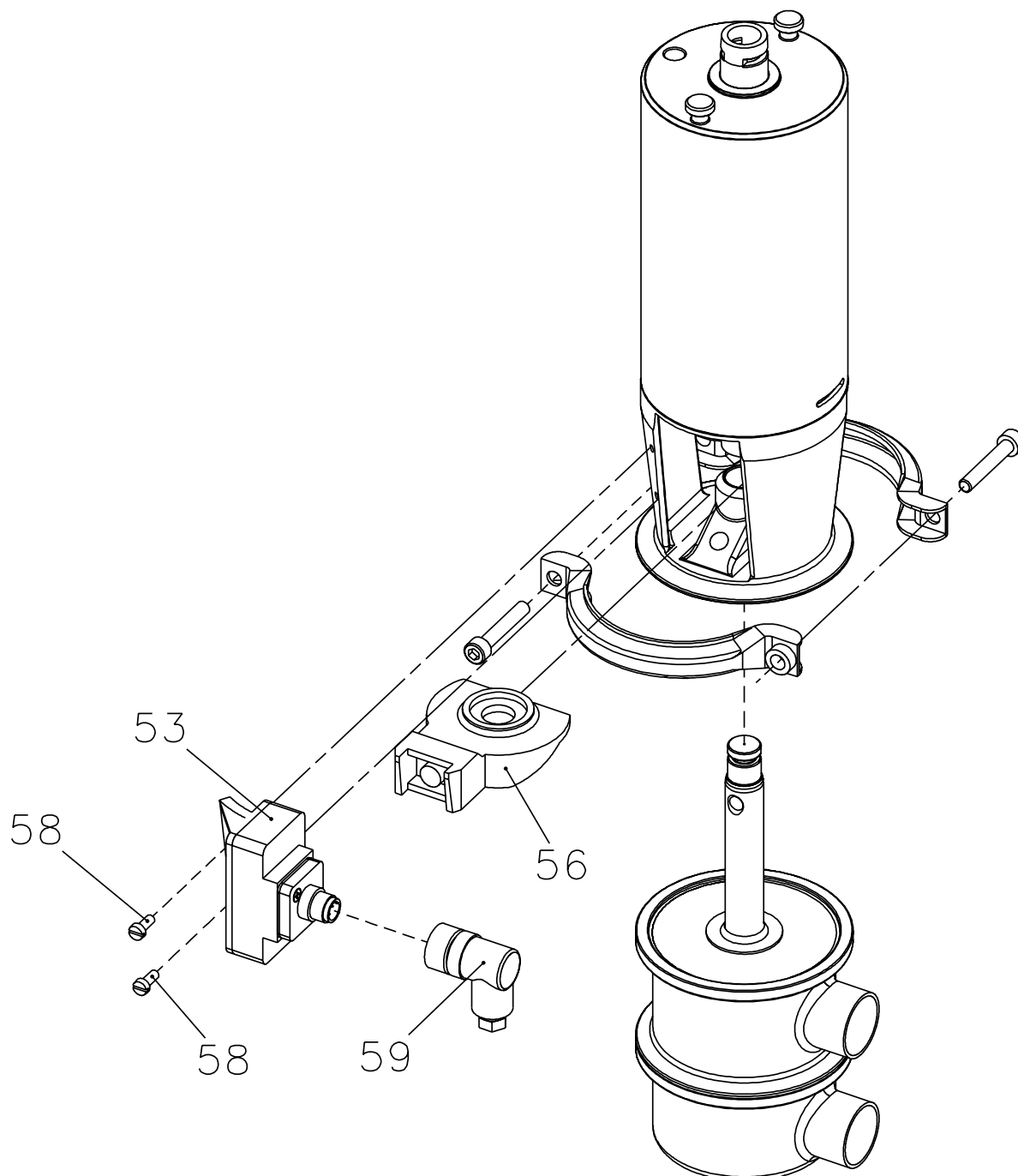
Complete units	DN25	38-63.5 mm DN40 - DN65	76.1-101.6 mm DN80 - DN100
Stop/change-over valve SRC switch unit cpl. with female plug (Period 0206- ) .....	9612-5190-09		
Change-over valve SRC/ARC switch unit cpl. with female plug (Period 0206- ) .....		9612-5190-09	9612-5190-08
Stop valve SRC switch unit cpl. with female plug (Period 0206- ) .....		9612-5190-07	9612-5190-08
Stop valve ARC switch unit cpl. with female plug (Period 0206- ) .....		9612-5190-09	9612-5190-08
Change-over valve SRC/ARC (Period -0206) .....		9612-4660-05	9612-4660-06
Stop valve SRC (Period -0206) .....		9612-4660-01	9612-4660-02
Stop valve ARC (Period -0206) .....		9612-4660-03	9612-4660-04

Pos.	Qty	Denomination	DN25	38-63.5 mm DN40 - DN65	76.1-101.6 mm DN80 - DN100
53	1	Switch unit, complete with 2 switches (Period 0206- ) .....	9612-5189-03	9612-5189-03	9612-5189-04
	1	Switch unit, complete with 2 switches (Period -0206) .....		9612-4560-01	9612-4560-02
56	1	Ring (grey) Stop valve SRC/ARC, SRC/ARC change-over valve .....			31353-0661-1
	1	Ring (black) Stop valve SRC .....		31353-0660-2	
	1	Ring (beige) Stop valve ARC, SRC/ARC change-over valve .....	31353-0660-3	31353-0660-3	
	1	Ring (beige) Stop valve SRC .....	31353-0660-3		
58	2	Screw .....	221121-06	221121-06	221121-06
59	1	Female plug (Period 0206- ) .....	9611-99-3245	9611-99-3245	9611-99-3245
	1	Cable connector, complete for 4.5 - 7 mm cable (Period -0206) .		31801-2122-2	31801-2122-2

TD 900-080/1

# Hall Proximity Switch for Valve Type SCR/ARC

12



TD 706-015

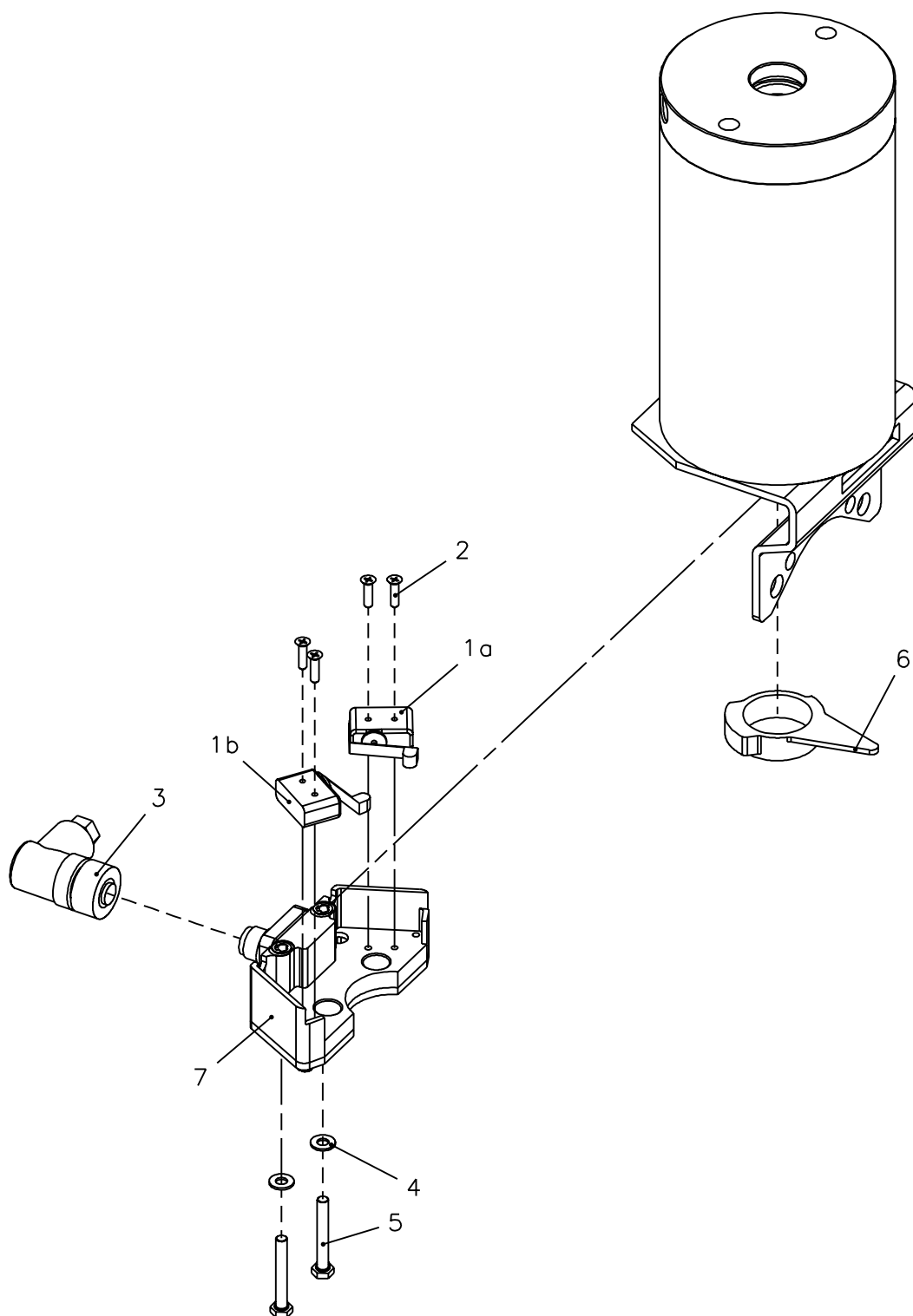
## Hall Proximity Switch for Valve Type SCR/ARC

Complete units	38-63.5 mm DN40 - DN65	76.1-101.6 mm DN80 - DN100
Stop/change-over valve SRC/ARC switch unit cpl. with female plug PNP 5-24 VDC (Green) .....	9612-5205-07	9612-5205-10
Stop/change-over valve SRC/ARC switch unit cpl. with female plug NPN 5-24 VDC (Yellow) .....	9612-5418-07	9612-5418-10
Stop/change-over valve SRC/ARC switch unit cpl. with female plug PNP 20-30 VDC (Grey) .....	9612-5419-07	9612-5419-10

Pos.	Qty.	Denomination	38-63.5 mm DN40 - DN65	76.1-101.6 mm DN80 - DN100
53	1	Switch unit PNP 5-24 VDC (Green) .....	9612-5417-07	9612-5417-10
	1	Switch unit NPN 5-24 VDC (Yellow) .....	9612-5417-09	9612-5417-12
	1	Switch unit PNP 20-30 VDC (Grey) .....	9612-5417-08	9612-5417-11
56	1	Ring .....	9612-5204-01	9612-5224-01
58	2	Screw .....	221121-48	221121-06
59	1	Female plug .....	9611-99-3245	9611-99-3245

# Micro-Switch Unit for Air-Actuator type LKLA

14

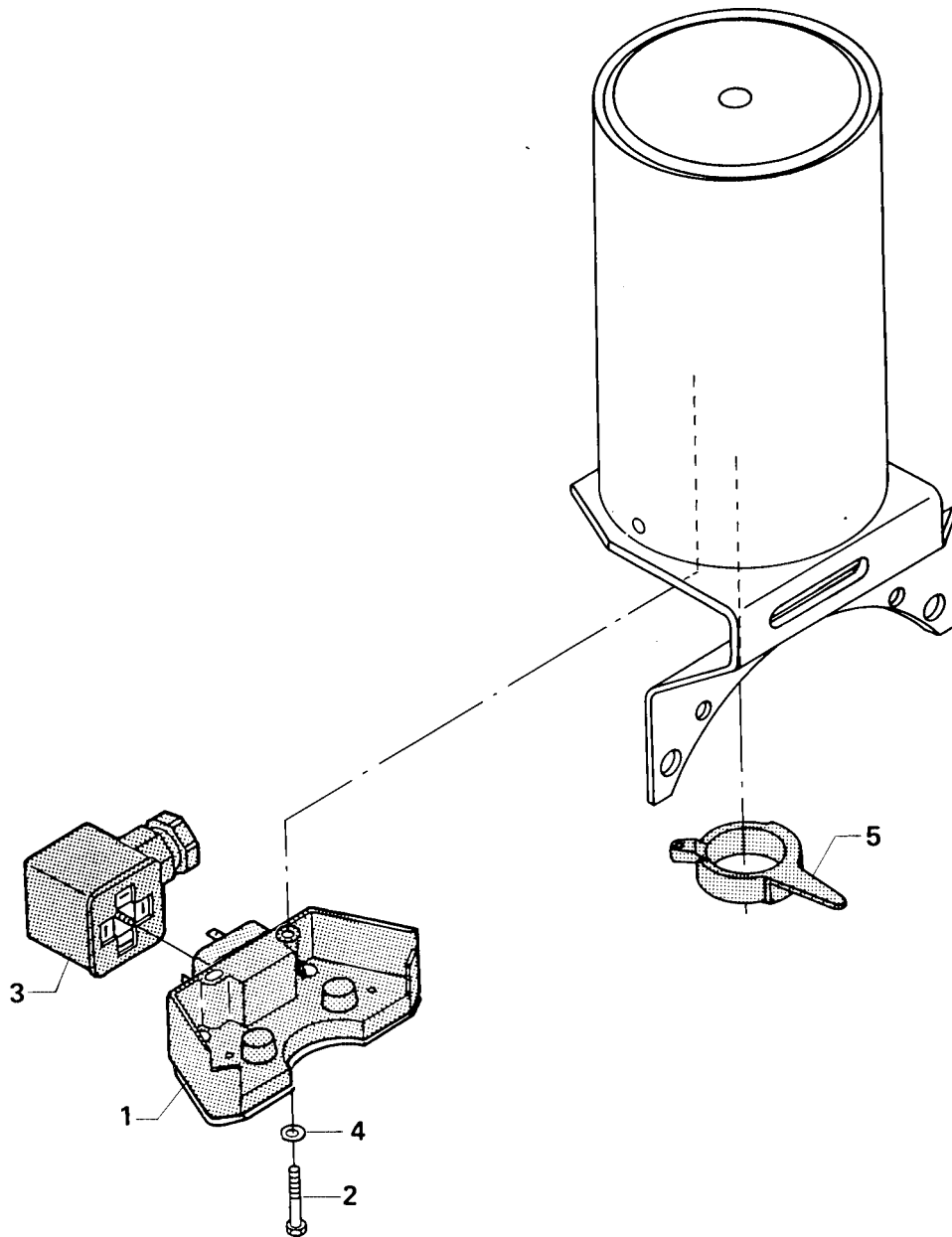


## Micro-Switch Unit for Air-Actuator type LKLA

Pos.	Qty	Denomination	25-101.6 mm DN 25 - DN 100
		Complete micro-switch unit with female plug (Period 0206- ) .....	9612-5107-02
		Complete micro-switch unit (Period -0206) .....	9611-41-671-0
1a	1	Arm for micro-switch .....	9611-99-2542
1b	1	Arm for micro-switch .....	9611-99-0824
2	4	Screw (Period 0206- ) .....	9611-99-1177
	2	Screw (Period -0206) .....	9611-99-0230
3	1	Female plug (Period 0206- ) .....	9611-99-3245
	1	Female plug (Period -0206) .....	9611-99-1243
4	2	Washer .....	9611-99-0800
5	2	Hexagon screw .....	9611-99-1239
6	1	Activation ring with screw .....	9611-41-669-0
		(Not included in the complete micro-switch unit)	
7	1	Housing Please order new complete micro-switch unit	

TD 900-081/1

Not manufactured anymore





## Proximity-Switch Unit Inductive

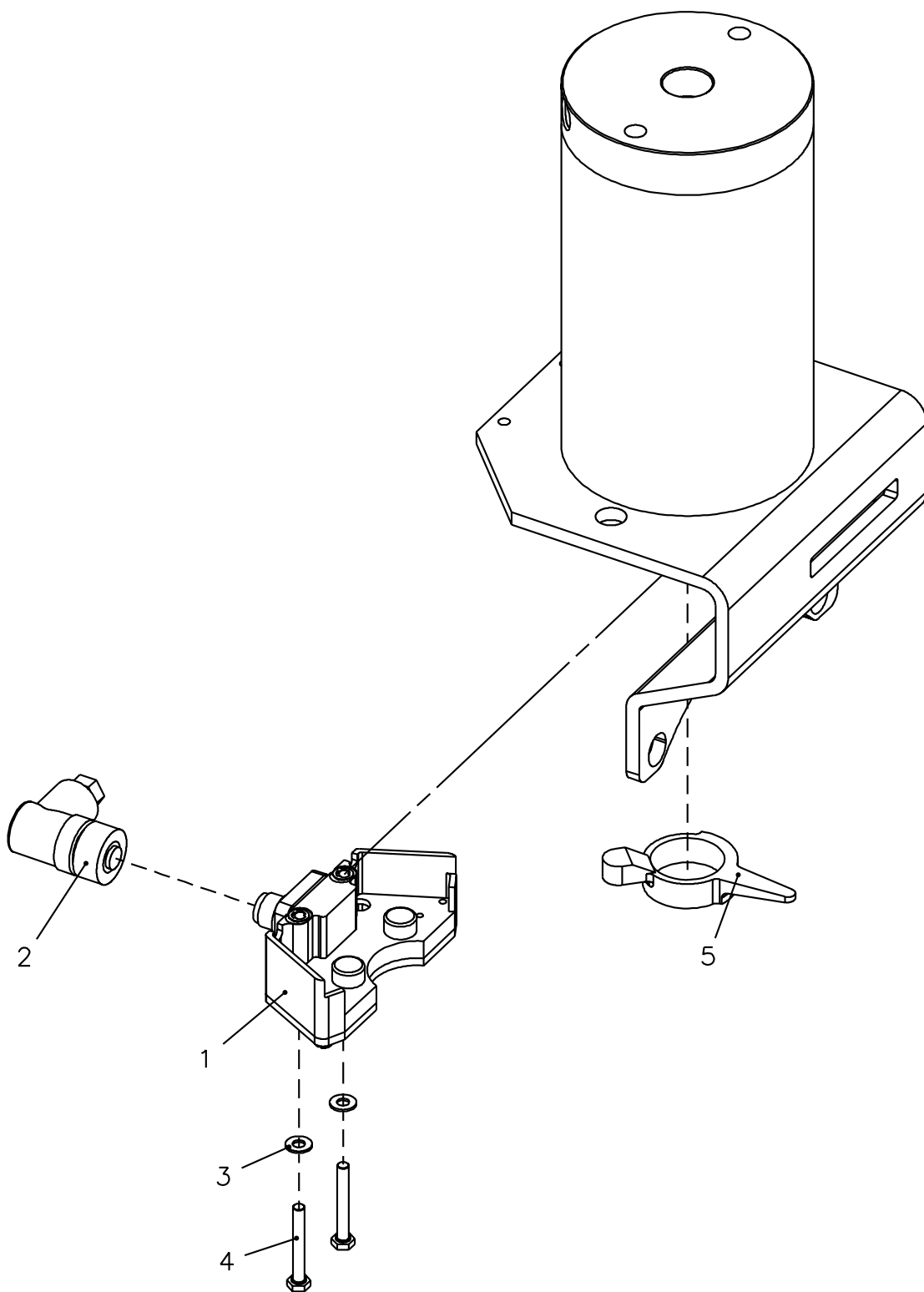
Pos.	Qty	Denomination	9611-41-672-0 25 - 101.6 mm DN 25 - DN 100
1	1	Proximity-Switch Unit Please order new complete proximity-switch unit	
2	2	Hexagon screw .....	9611-99-1239
3	1	Female plug .....	9611-99-1243
4	2	Washer .....	9611-99-0800
5	1	Activation ring with screw .....	9611-41-670-0
		(Not included in the complete Proximity-Switch Unit)	

TD 900-082/1

Not manufactured anymore

# Hall Proximity Switch Unit

18



# Hall Proximity Switch Unit

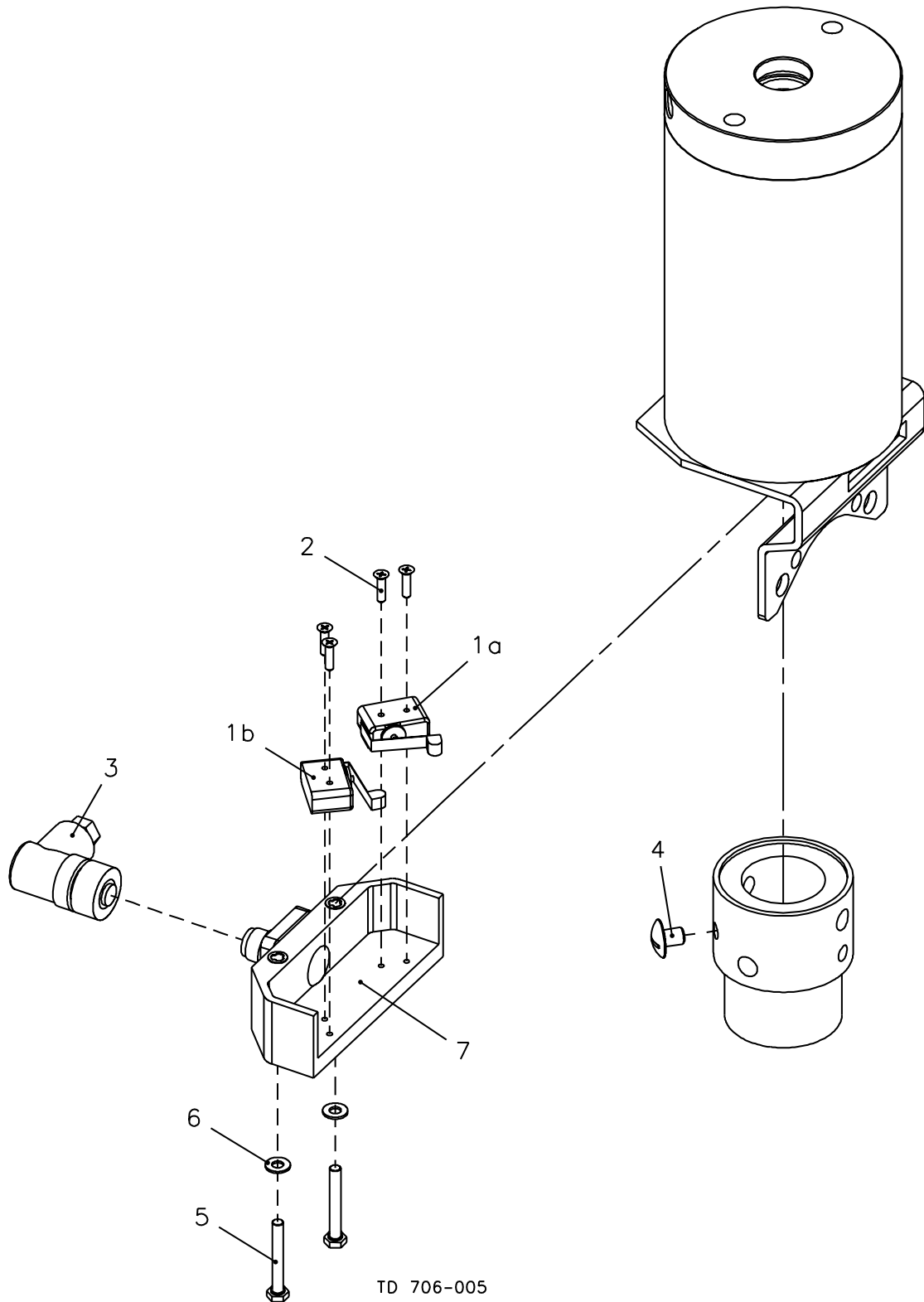
Complete units	25-101.6 mm DN 25-DN 100	DN 150
Complete, Hall-sensor, NPN 5-24 VDC with female plug (yellow) (Period 0206- ) ...	9612-5106-11	9612-5106-12
Complete, Hall-sensor, PNP 5-24 VDC with female plug (green) (Period 0206- ) ....	9612-5106-15	9612-5106-16
Complete, Hall-sensor, PNP 20-30 VDC with female plug (grey) (Period 0206- ) ....	9612-5106-13	9612-5106-14
Complete, Hall-sensor, NPN 5-24 VDC (yellow) (Period -0206) .....	9611-41-672-1	9611-41-672-2
Complete, Hall-sensor, PNP 5-24 VDC (green) (Period -0206) .....	9611-41-672-3	9611-41-672-4
Complete, Hall-sensor, PNP 20-30 VDC (grey) (Period -0206) .....	9611-41-672-5	9611-41-672-6

Pos.	Qty	Denomination		
1	1	Housing, NPN 5-24 VDC (yellow)		
		Housing, PNP 5-24 VDC (green)		
		Housing, PNP 20-30 VDC (grey)		
		Please order new complete Hall Proximity-switch Unit		
2	1	Female plug (Period 0206- ) .....	9611-99-3245	9611-99-3245
	1	Female plug (Period -0206) .....	9611-99-1243	9611-99-1243
3	2	Washer .....	9611-99-0800	9611-99-0800
4	2	Hexagon screw .....	9611-99-1239	9611-99-1239
5	1	Activation ring with magnet .....	9611-41-687-0	9611-41-666-0

TD 900-083/1

# Micro-Switch Unit for Air Actuator LKLA ø133

20



## Micro-Switch Unit for Air Actuator LKLA ø133

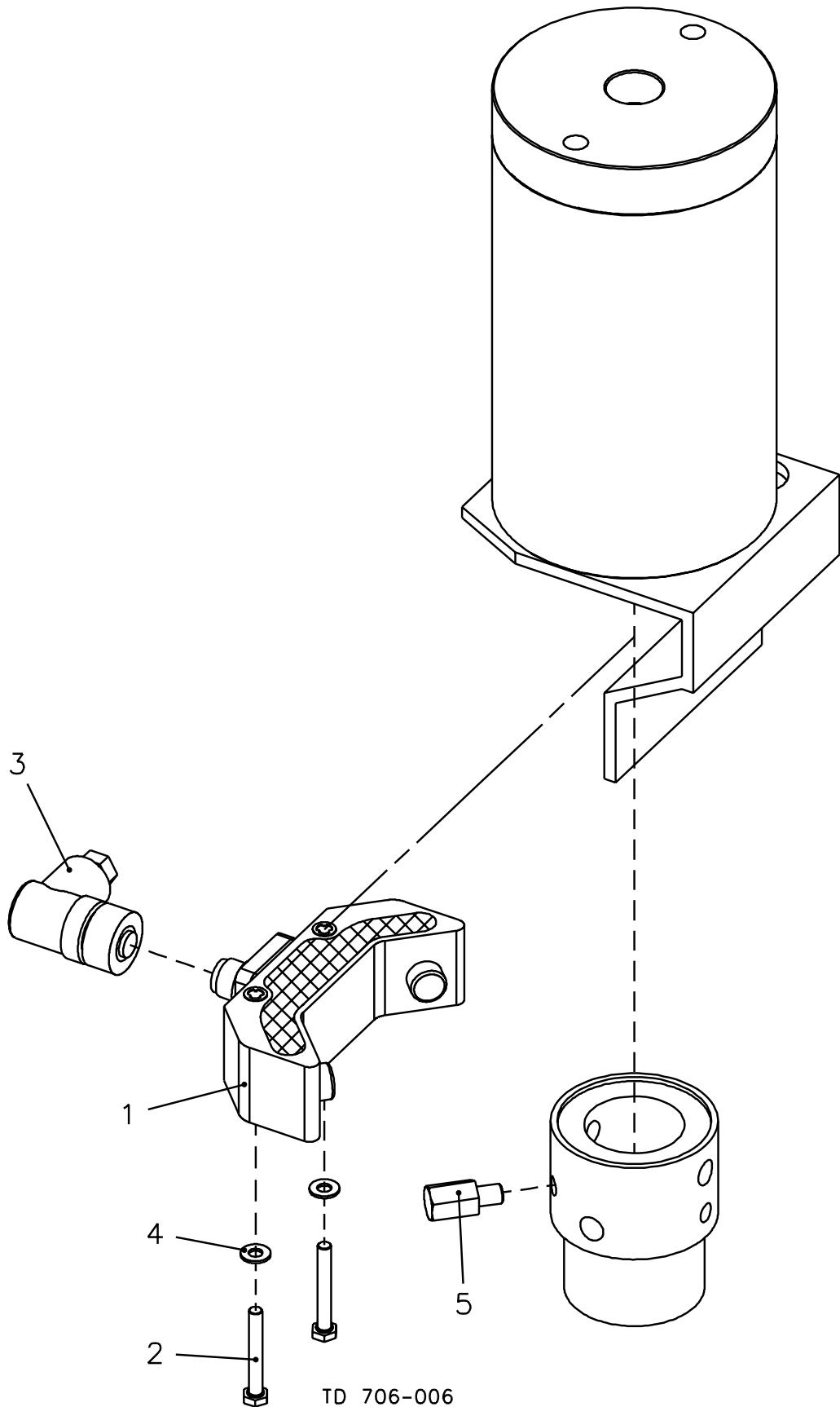
Complete units	101.6 mm DN100-150
Complete micro-switch unit with female plug (period 0206 - ) .....	9612-5109-02
Complete micro-switch unit (period - 0206) .....	9612-2857-01

Pos.	Qty.	Denomination	101.6 mm DN100-150
1a	1	Arm for micro-switch .....	9611-99-2542
1b	1	Arm for micro-switch .....	9611-99-0824
2	4	Screw .....	9611-99-0230
3	1	Female plug (period 0206 - ) .....	9611-99-3245
	1	Female plug (period - 0206) .....	9611-99-1243
4	1	Indication screw .....	9612-2860-01
5	2	Screw .....	9611-99-1239
6	2	Washer .....	9611-99-0800
7	1	Housing	
		Please order new complete micro-switch unit	

TD 900-084/1

# Proximity Switches for Air Actuator LKLA ø133

22



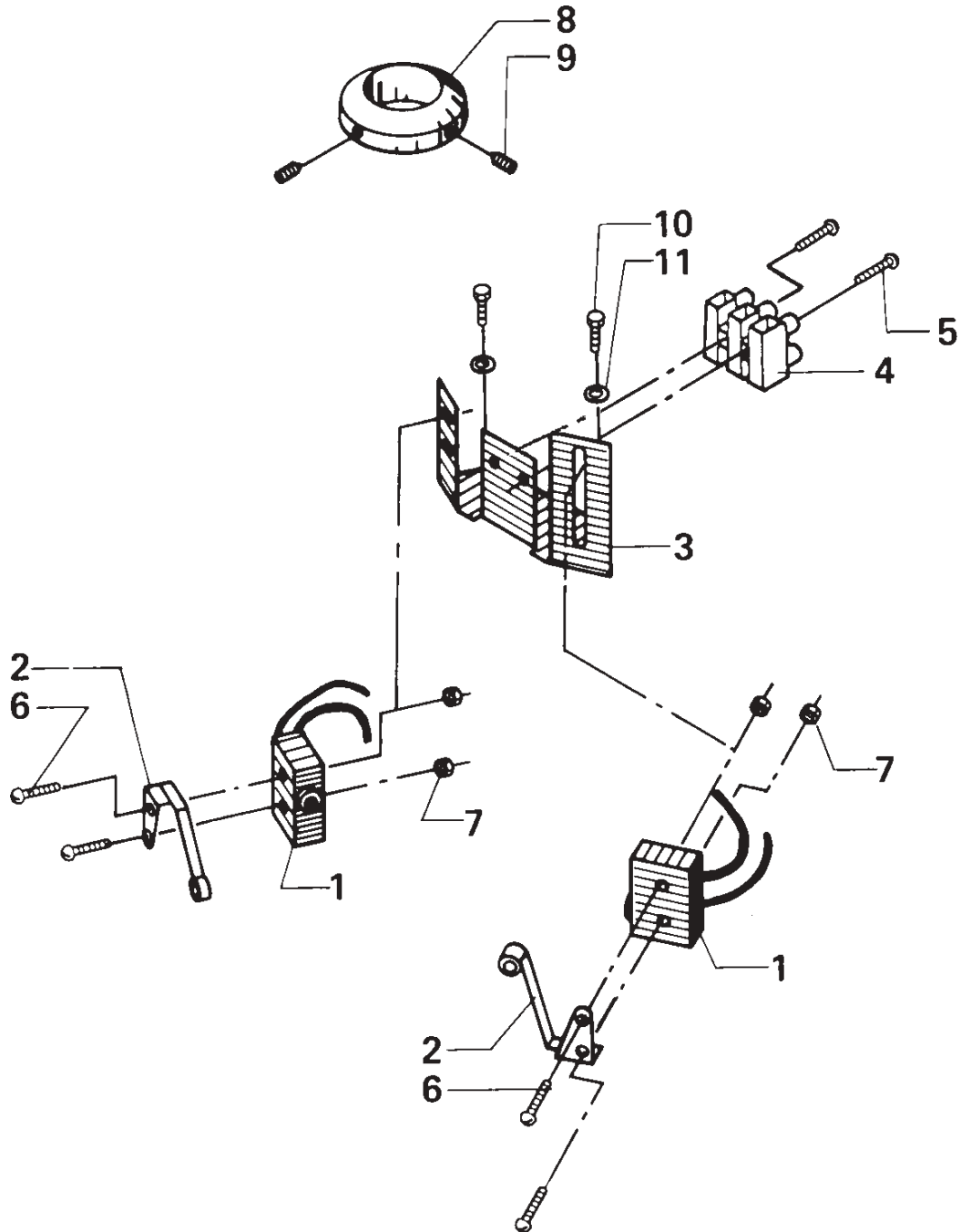
## Proximity Switches for Air Actuator LKLA ø133

Pos.	Qty.	Denomination	101.6 mm	101.6 mm
			DN100-150 w. Hall Sensors	DN100-150 w. inductive sensors (Period -0206)
		Complete proximity-switch unit, NPN 5-24 VDC with female plug (yellow) (Period 0206- ) .....	9612-5108-07	
		Complete proximity-switch unit, PNP 5-24 VDC with female plug (green) (Period 0206- ) .....	9612-5108-06	
		Complete proximity-switch unit, PNP 20-30 VDC with female plug (grey) (Period 0206- ) .....	9612-5108-05	
		Complete proximity-switch unit, NPN 5-24 VDC with female plug (yellow) (Period -0206) .....	9612-2858-02	
		Complete proximity-switch unit, PNP 5-24 VDC with female plug (green) (Period -0206) .....	9612-2858-03	
		Complete proximity-switch unit, PNP 20-30 VDC with female plug (grey) (Period -0206) .....	9612-2858-04	
		Complete proximity-switch unit, inductive sensors (Period -0206) .....		9612-2858-01

Pos.	Qty.	Denomination	101.6 mm	101.6 mm
			DN100-150 w. Hall Sensors	DN100-150 w. inductive sensors (Period -0206)
1	1	Housing, NPN 5-24 VDC (yellow)		
	1	Housing, PNP 5-24 VDC (green)		
	1	Housing, PNP 20-30 VDC(grey)		
		Please order new complete proximity-switch unit		
2	2	Screw .....	9611-99-1239	9611-99-1239
3	1	Female plug (Period 0206- ) .....	9611-99-3245	
	1	Female plug (Period -0206) .....	9611-99-1243	9611-99-1243
4	2	Washer .....	9611-99-0800	9611-99-0800
5	1	Screw .....	9612-2855-01	9612-0392-01

# Micro-Switch Unit for Valve type LKAB

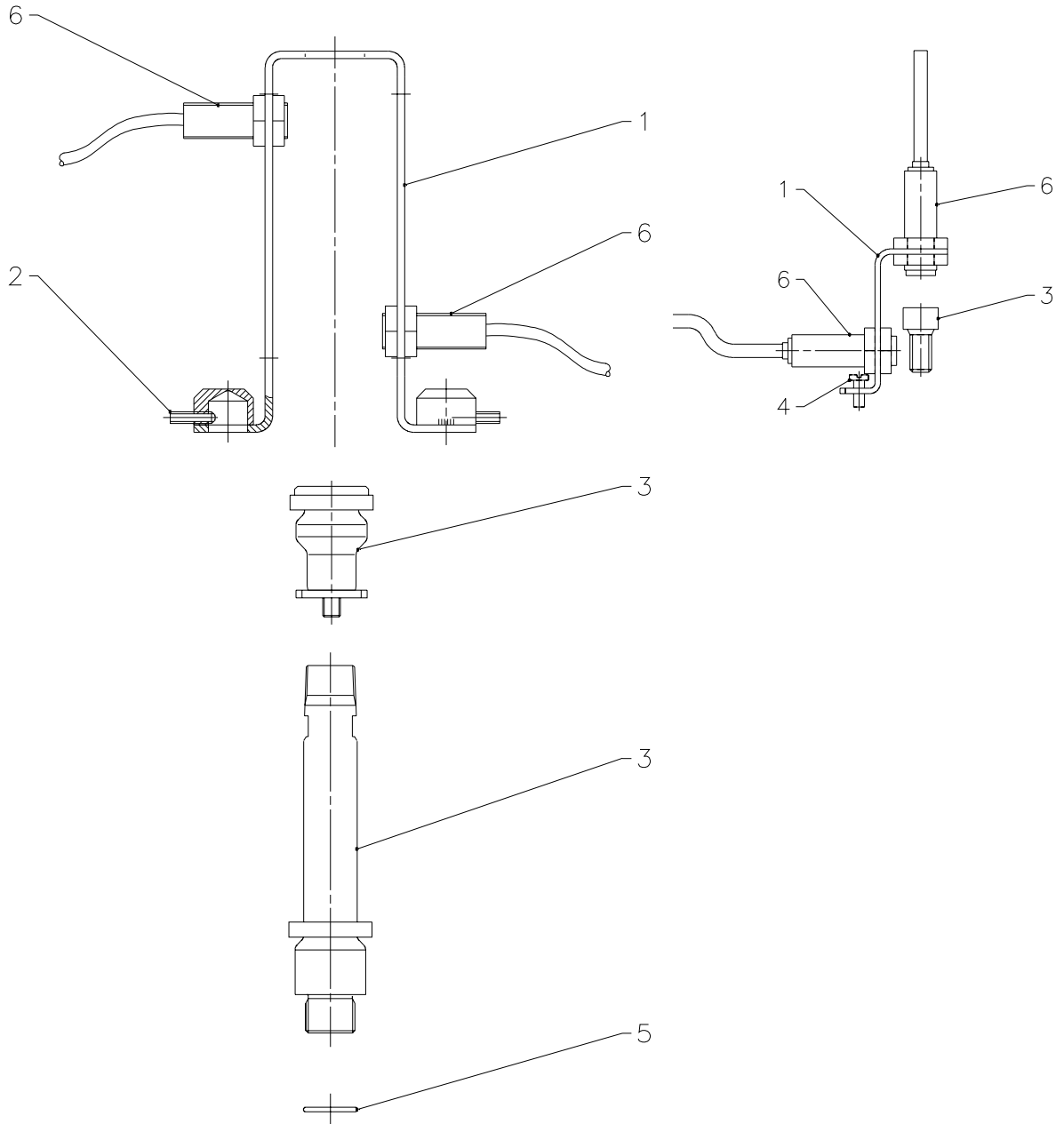
24





## Micro-Switch Unit for Valve type LKAB

Pos.	Qty.	Denomination	9611-40-0874	9611-40-0875
			38-51 mm 63.5 mm	76.1 mm 101.6 mm
		Micro-switch complete included pos. 1-7 .....	9611-97-0003	9611-97-0003
1	2	Micro-switch .....	9611-99-1190	9611-99-1190
2	2	Arm for micro-switch .....	9611-99-0824	9611-99-0824
3	1	Retaining plate .....	9611-40-2579	9611-40-2579
4	3	Terminal strip .....	9611-99-0817	9611-99-0817
5	2	Screw .....	9611-99-0383	9611-99-0383
6	4	Screw .....	9611-99-0230	9611-99-0230
7	4	Nut .....	9611-99-0492	9611-99-0492
8	1	Activation ring .....	9611-40-2580	9611-40-2581
9	2	Screw .....	9611-99-0300	9611-99-0300
10	2	Screw .....	9611-99-0218	9611-99-0218
11	1	Washer .....	9611-99-0710	9611-99-0710



**Bracket System Complete - LKAP, SMP-EC, SRC, SRC-LS, ARC, SMP-BC, SMP-SC, LKLA-T, ARC-SB, SMP-BCA, SMP-TO, Koltek MH, SBV and *Unique***

<b>Pos.</b>	<b>Qty.</b>	<b>Denomination</b>	<b>LKAP</b>	<b>SMP-EC</b>	<b>SRC, SRC-LS ARC, SMP-BC SMP-SC, LKLA-T ARC-SB, SMP-BCA, SMP-TO, Koltek MH, SBV <i>Unique</i></b>
	1	Bracket complete .....	9612-4989-01	9612-4112-01	9612-4112-02
1	1	Bracket .....	9612-4926-01	9612-4113-01	9612-4113-01
2	2	Pointed screw .....		9611-99-1756	9611-99-1756
3	1	Indication Pin .....	9611-99-2633	9612-0851-02	9612-4117-01
4	2	Screw .....	9611-99-0337		
5	1	O-ring .....		223403-80	
6		Sensor P&F NJ4-12 GK-N .....	9611-99-1938	9611-99-1938	9611-99-1938
		Sensor IFM-IF 5718 .....	9611-99-2900	9611-99-2900	9611-99-2900
		Sensor ABB SIN6-M12N-V2-P0 .....	9611-99-4200	9611-99-4200	9611-99-4200

How to contact Alfa Laval  
Contact details for all countries are  
continually updated on our website.  
Please visit [www.alfalaval.com](http://www.alfalaval.com) to  
access the information direct.