



Keep an Eye on Your Product

Union Sight Glass based on DIN 11851

PD 66327 GB1 2002-02

Application

These screwed sight glasses are used for the visual control of processes inside vessels, storage tanks, mixers, reactors etc. They are used in dairies, breweries and other food industries as well as pharmaceutical and cosmetics industries.

Standard Design

The sight glass consists of a welding flange (see drawing pos. 1), a grooved collar nut (2), a glass disc (3) and two gaskets (4+5). The product wetted side of the gasket (5) is made of EPDM. The welding part (1) and glass disc (3) are delivered with a material certificate EN10204.3.1.B/2.2 as standard.

Materials

Welding flange: AISI 316L, material certificate 3.1B/ADW2 to DIN 50049.

Grooved collar nut: AISI 304
Glass disc: Borosilicate to DIN 7080 (max. 280°C), material certificate 2.2.

Gasket cover side: PTFE

Gasket product wetted side: EPDM.

Technical Data

Max. product pressure: Max. 6 bar (600 kPa).
Min. product pressure: 1 mbar absolute (1 Torr.).
Temperature range: -10°C to +140°C (EPDM).

Dimensions (mm)

Size DIN DN	ID	a	A	OD	D
65	65	22	49	72	112
100	100	32	65	106	148
125	125	20	60	132	178

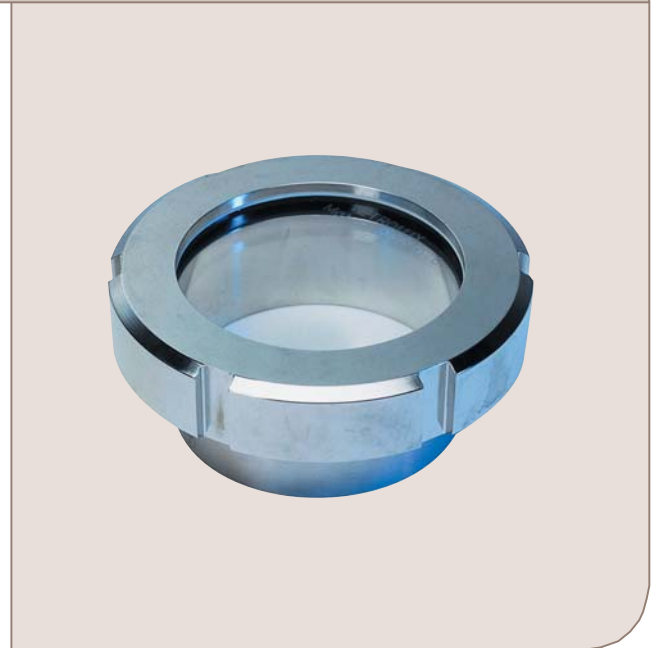
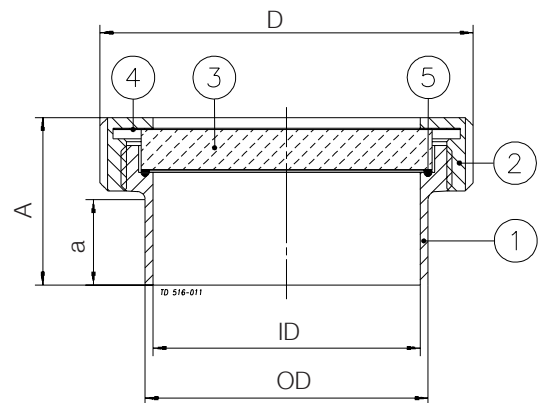


Fig. 1. Sight Glass based on DIN 11851.



Options

- A) Product wetted side of gasket in NBR or FPM.
- B) miniVISION light fitting.

Ordering

When ordering please state the following:

- DN size.
- Material type of product wetted gasket side.
- miniVISION light fitting, if needed.

How to contact Alfa Laval

Contact details for all countries are continually updated on our website. Please visit www.alfalaval.com to access the information direct.