



Keep an Eye on Your Product

miniVISION Light Fitting

PD 66328 GB1 2002-02

Application

The miniVISION light fittings are to be fitted on the Sight Glass acc. to DIN 28120 and Union Sight Glass based on DIN 11851 as well as on the LKS Sight Glass and can be used in any food processing and pharmaceutical industry.

Standard Design

The miniVISION is delivered in two versions: Type 53 and type 70. Type 53 provides sight and light in one assembly using the sight glass and the miniVISION type 53 light fitting together as shown in fig. 1 and 3 to 6. The other version is the type 70 to be used for light only as shown in fig. 8 to 10. The miniVISION can be ordered both separately or in packages together with either LKS or Sight Glass acc. to DIN 28120 or Union Sight Glass based on DIN 11851. The very small dimensions of miniVISION type 53 enable sight and light in one assembly, still providing a high lighting power. It is possible to change the bulbs without having to demount the bolted-on luminaire. Housing and cover are of stainless steel. The miniVISION light fitting is independent of internal vessel pressure, vacuum and temperature. The glass disc is resistant to high temperatures and the gaskets are resistant to corrosion and alteration.

Note! In case of repeated use of miniVISION type 53 within a short period, the temperature raise of the housing has to be observed.

Technical Data

Cable gland:	Pg 9.
Supply voltage:	AC or DC.
Terminal voltage:	24 V.
Power:	Type 53: 20 or 50 Watt. Type 70: 50 Watt.
Max. current:	4.2 A.
Bulb:	Halogen.
Lamp sockets:	2-pin Socket G4 (20W)
Socket GY 6.35 (50W)	
Protection class:	IP 65.

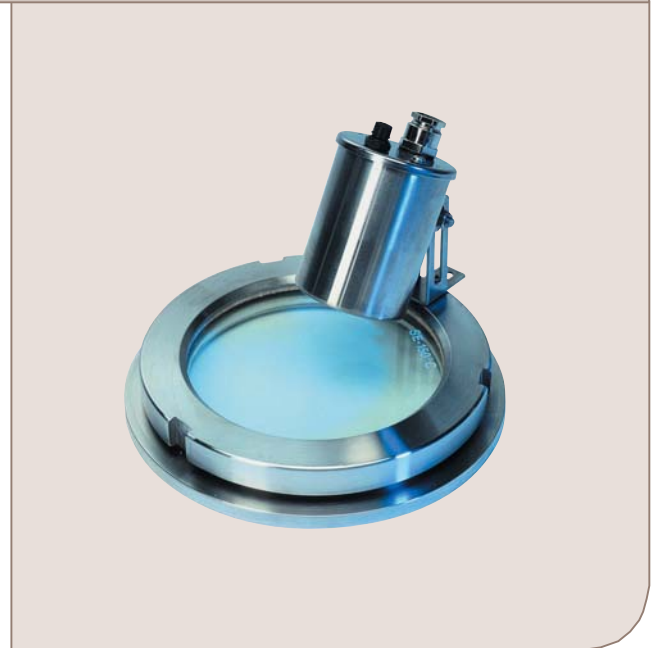


Fig. 1. LKS sight glass with miniVISION type 53 light fitting.

Materials

Housing and cover: AISI 304.

Installation

The luminaire is normally mounted by means of its fixation elements, suitably slotted to take a fixing bolt M4. This bolt fits a drilled and tapped hole in the cover flange of Sight Glass acc. to DIN 28120 as well as in the grooved collar nut of a screwed sight glass (LKS or Union Sight Glass based on DIN 11851).

miniVISION Light Fitting type 53 with push button.

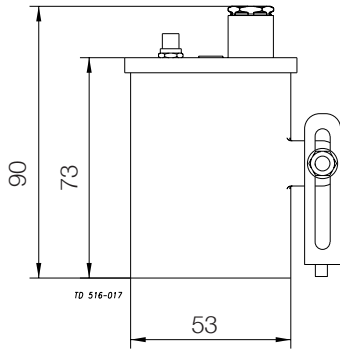


Fig. 2. miniVISION Light Fitting type 53 with push button.

Sight Glass acc. to DIN 28120 with miniVISION type 53.

DN	A	B	C	D	E	Weight (kg)
100	90	53	87	90	73	0.30
125	90	53	100	90	73	0.30
150	90	53	112	90	73	0.30

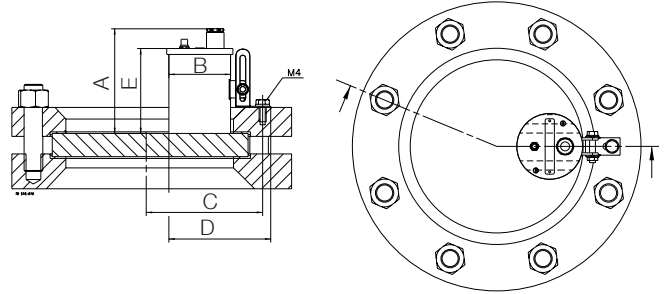


Fig. 5. Sight glass acc. to DIN 28120 with miniVISION type 53.

Sight glass LKS 78 and 120 with miniVISION type 53.

LKS size	A	B	C	D	E	Weight (kg)
78	90	53	48	72	73	0.30
120	90	53	69	72	73	0.30

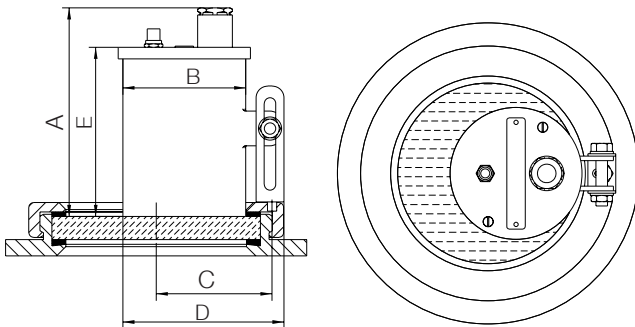


Fig. 3. Sight glass LKS 78 and 120 with miniVISION type 53.

Union Sight Glass based on DIN 11851 with miniVISION type 53.

DN	A	B	C	D	E	Weight (kg)
65	90	53	39	72	73	0.30
100	90	53	57	72	73	0.30
125	90	53	69	72	73	0.30

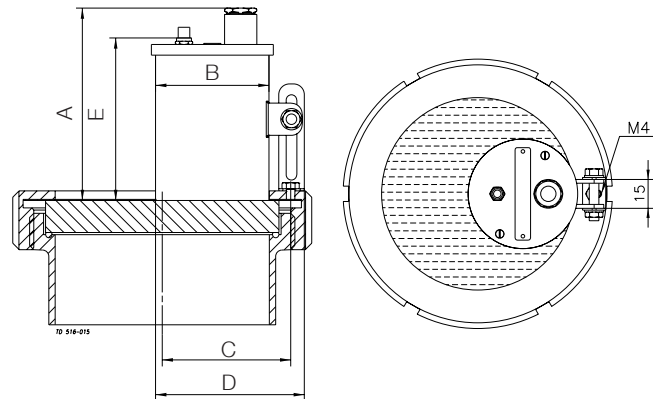


Fig. 6. Union Sight glass based on DIN 11851 with miniVISION type 53.

Sight glass LKS 105 with miniVISION type 53.

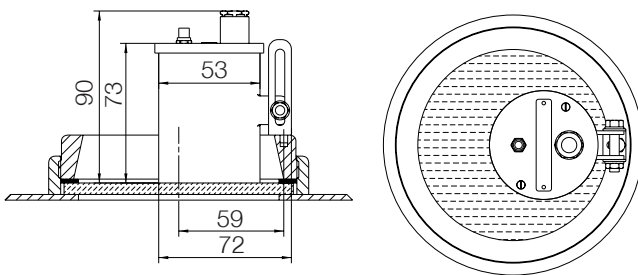


Fig. 4. Sight glass LKS 105 with miniVISION type 53.

miniVISION Light Fitting type 70.

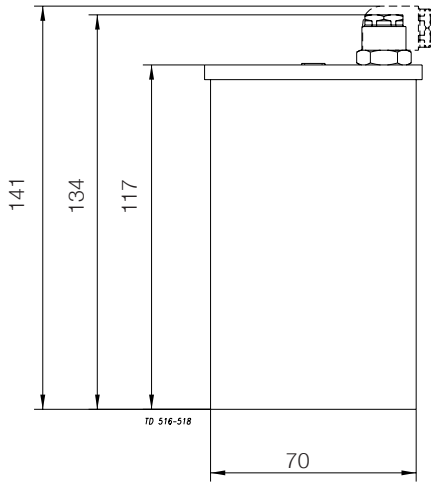


Fig. 7. miniVISION Light Fitting type 70.

Sight glass LKS 78 with miniVISION type 70.

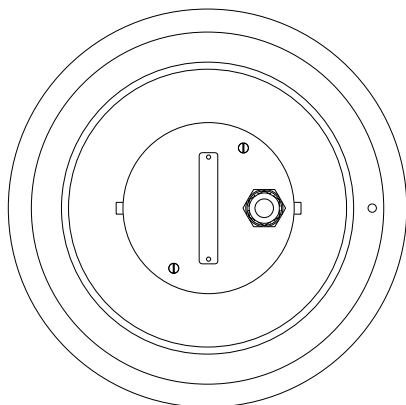
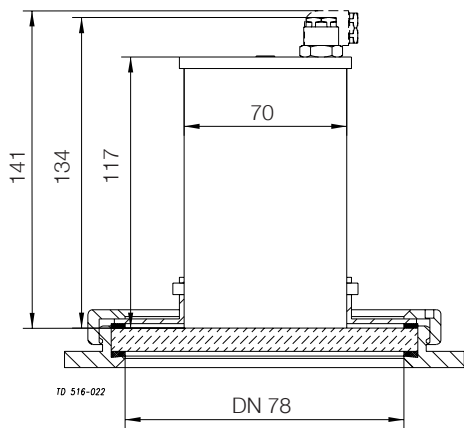


Fig. 8. Sight glass LKS 78 with miniVISION type 70.

Sight glass LKS 105 with miniVISION type 70.

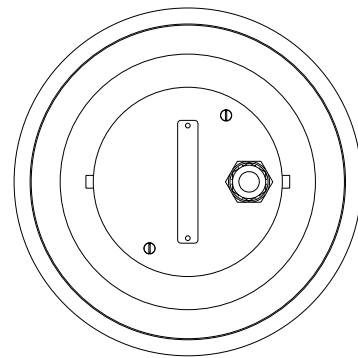
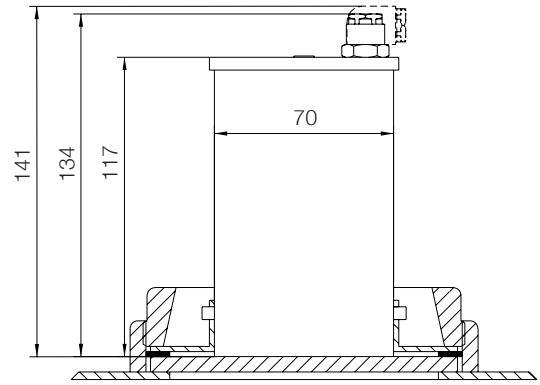


Fig. 9. Sight glass LKS 105 with miniVISION type 70.

Union Sight Glass based on DIN 11851 with miniVISION type 70.

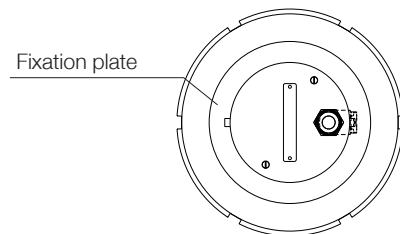
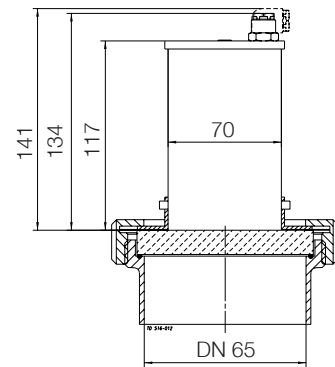


Fig. 10. Union Sight glass based on DIN 11851 with miniVISION type 70.

Note! For size DN 65 (only).

Ordering

When ordering, please state the following:

- Type and size of sight glass on which the luminaire has to be mounted.
- Power.
- Sight Glass type to be delivered with the light fitting, if needed.

How to contact Alfa Laval

Contact details for all countries are continually updated on our website. Please visit www.alfalaval.com to access the information direct.