

Fast, Effective Impact Cleaning

Toftejorg TZ-74 Brew Kettle Version Rotary Jet Head

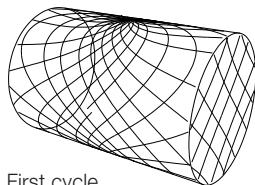
Application

The Toftejorg TZ-74 Brew Kettle Version is a special version of the Toftejorg TZ-74 rotary jet head. It provides 360° indexed impact cleaning over a defined time period. It is automatic and represents a guaranteed means of achieving quality assurance in tank cleaning. The device is suitable for processing, storage and transportation tanks and vessels between 50 and 500 m³ (13,000 to 130,000 US gallons). The Toftejorg TZ-74 Brew Kettle Version is equipped with special sealings, which makes it particularly well-suited to work under rough conditions e.g. in brew kettles, where fibres, particles etc. in the cleaning media may be re-circulated through the machine.

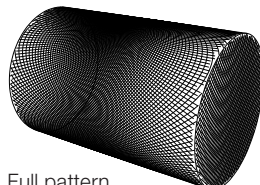
Working Principle

The flow of the cleaning fluid makes the nozzles perform a geared rotation around the vertical and horizontal axes. In the first cycle, the nozzles lay out a coarse pattern on the tank surface. The subsequent cycles gradually make the pattern more dense, until a full pattern is reached after 8 cycles.

Cleaning Pattern



First cycle



Full pattern

The above drawings show the cleaning pattern achieved on a cylindrical horizontal vessel. The difference between the first cycle and the full pattern represents the number of additional cycles available to increase the density of the cleaning.

Standard Design

The choice of nozzle diameters can optimise jet impact length and flow rate at the desired pressure. As standard documentation, the Toftejorg TZ-74 Brew Kettle Version can be supplied with a "Declaration of Conformity" for material specifications.

Materials

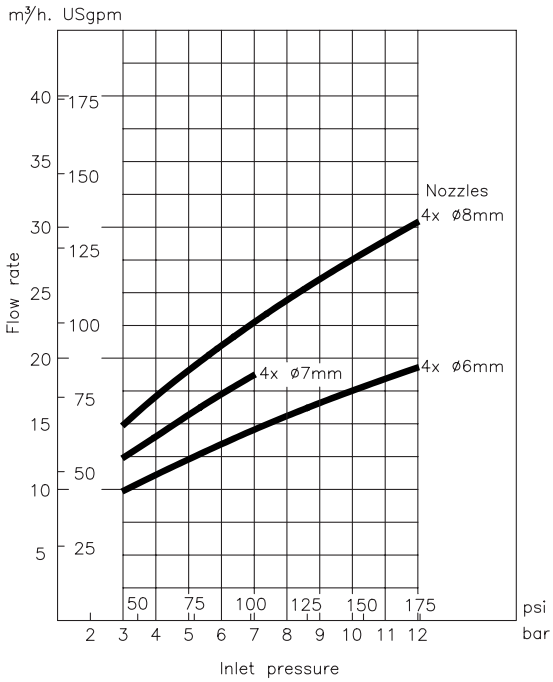
1.4404 (316L), 1.4401 (316), PTFE, PEEK, Tefzel, VITON, TFM



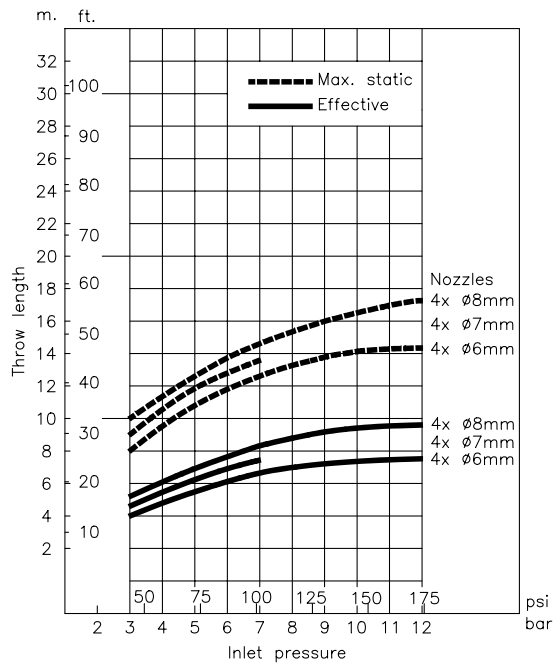
Technical Data

Weight:	6.1 kg (13 lbs)
Lubricant:	Self-lubricating with the cleaning fluid
Working pressure:	3 - 12 bar (44 - 174 psi)
Recommended pressure:	3 - 8 bar (44 - 116 psi)
Max. working temperature:	95 °C (203 °F)
Max. ambient temperature:	140 °C (284 °F)
Max. throw length:	8 - 17 m (26 - 56 ft)
Impact throw length:	4 - 10 m (13 - 32 ft)
Standard thread:	1 1/2" BSP or NPT, female

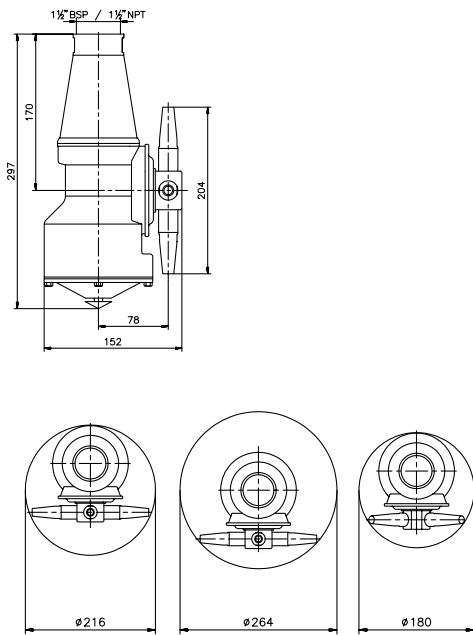
Flow Rate



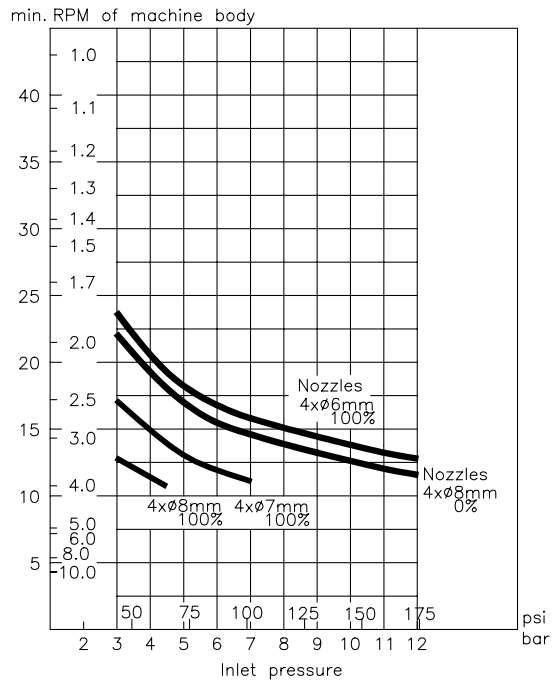
Impact Throw Length



Dimensions (mm)



Cleaning Time, Complete Pattern



Ordering

Please specify nozzle size, inlet/guide configuration and connections and confirm application suitability

Options

- Electronic rotation sensor to verify 360° coverage
- Downpipe supporting flange