

# Fast, Effective Impact Cleaning

## Toftejorg MultiJet 40 Rotary Jet Head

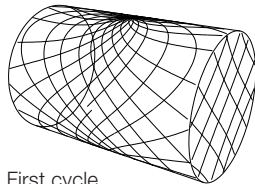
### Application

The Toftejorg MultiJet 40 rotary jet head provides 360° indexed impact cleaning over a defined time period. It is ideal for applications where cost-effective impact cleaning with rotary jet heads is needed, but where compliance with hygienic design standards is not a requirement. The device is suitable for process, storage and transportation tanks between 50 and 500 m<sup>3</sup> (13,000 to 130,000 US gallons). It is designed to work under conditions where fibres, finer particles, etc. in the cleaning media may be re-circulated through the machine.

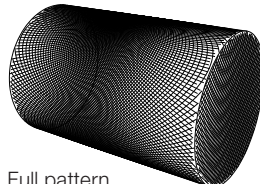
### Working Principle

The flow of the cleaning fluid makes the nozzles perform a geared rotation around the vertical and horizontal axes. In the first cycle, the nozzles lay out a coarse pattern on the tank surface. The following cycles make the pattern gradually more dense, until a full pattern is reached after 8 cycles.

### Cleaning Pattern



First cycle



Full pattern

The above drawings show the cleaning pattern achieved on a cylindrical horizontal vessel. The difference between the first cycle and the full pattern represents the number of additional cycles available to increase the density of the cleaning.

### Standard Design

The choice of nozzle diameters can optimise jet impact length and flow rate at the desired pressure. As standard documentation, the Toftejorg MultiJet 40 can be supplied with a “Declaration of Conformity” for material specifications.

### Materials

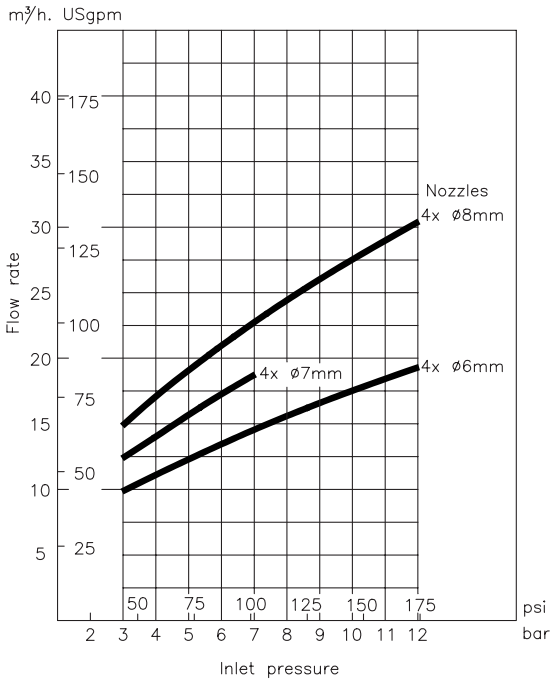
1.4404 (316L), 1.4401 (316), PTFE, PEEK, Tefzel, VITON, TFM



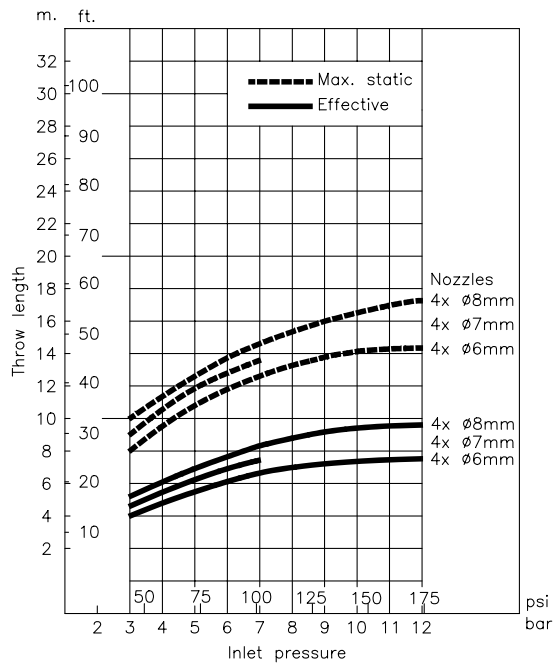
### Technical Data

Surface finish:	External glass blasted Internal cast
Weight:	6.1 kg (13 lbs)
Lubricant:	Self-lubricating with the cleaning fluid
Working pressure:	3 - 12 bar (44 - 174 psi)
Recommended pressure:	3 - 8 bar (44 - 116 psi)
Max. working temperature:	95 °C (203 °F)
Max. ambient temperature:	140 °C (284 °F)
Max. throw length:	8 - 17 m (26 - 56 ft)
Impact throw length:	4 - 10 m (13 - 32 ft)
Standard thread:	1/2" BSP or NPT, female

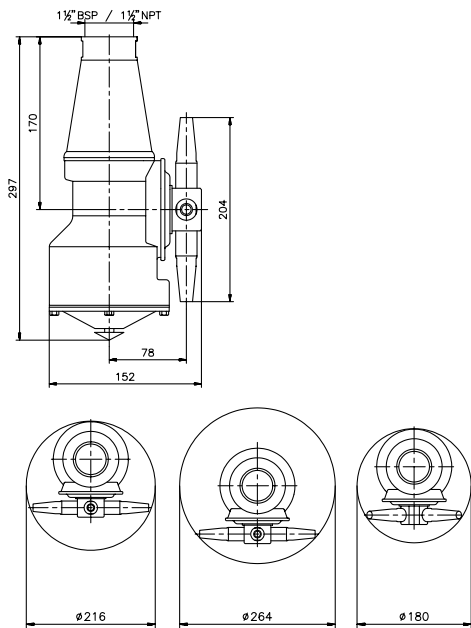
Flow Rate



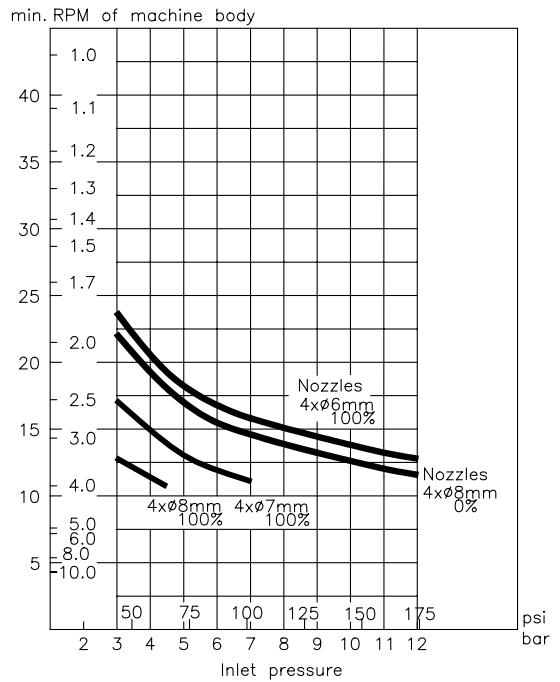
Impact Throw Length



Dimensions (mm)



Cleaning Time, Complete Pattern



4.2

**Ordering**

Please specify nozzle size, inlet/guide configuration and connections and confirm application suitability .

**Options**

- Electronic rotation sensor to verify 360° coverage
- Downpipe supporting flange