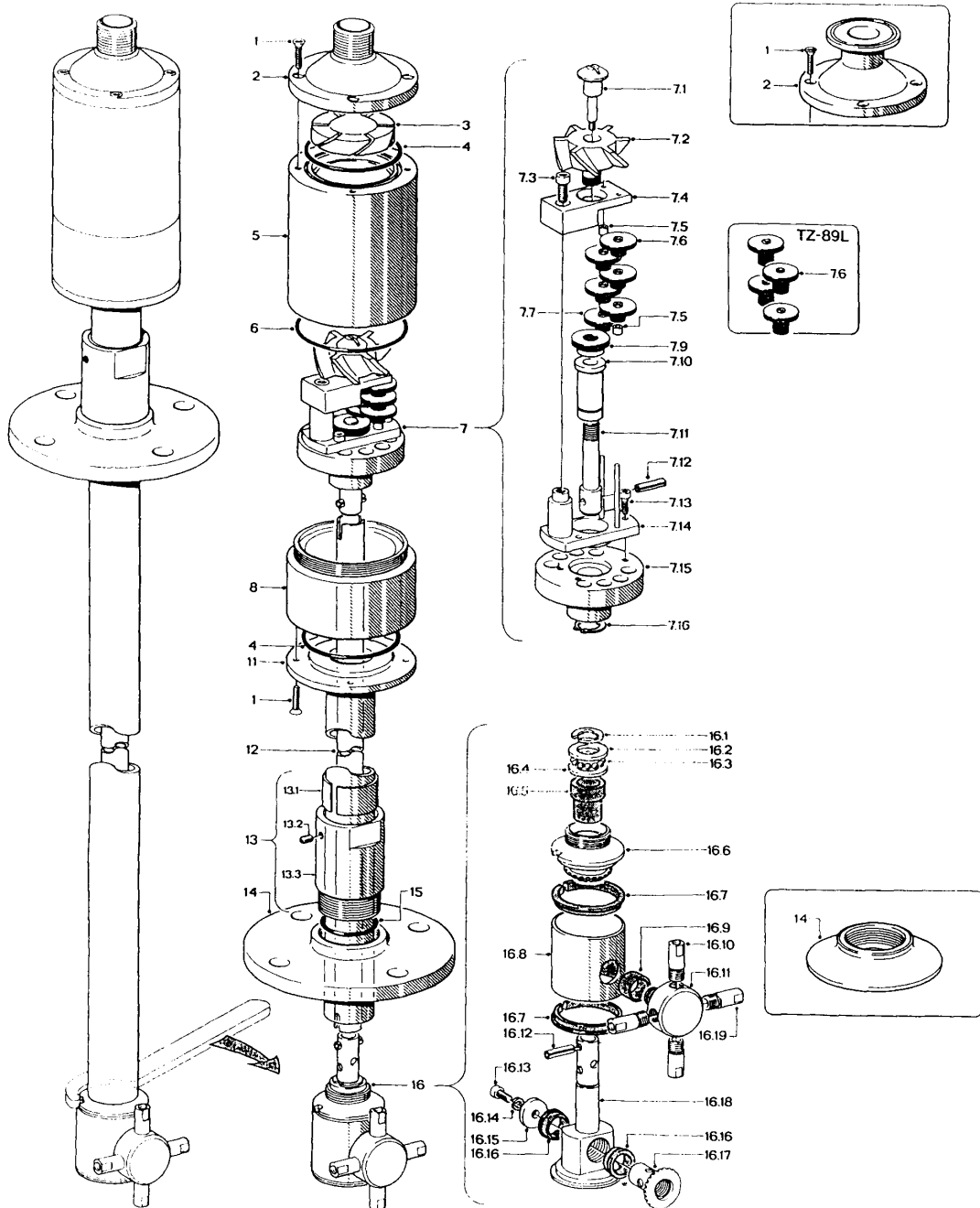




Spare Parts

Toftejorg TZ-89

Exploded View Drawing, Toftejorg TZ-89



Reference List of Parts, Toftejorg TZ-89

Pos.	Ref. No.	No/ Unit	Description	Remarks
1	TE51A050	4	Screw	Spare part
2	TE20A505	1	Connection nipple 3/4" BSP	Spare part
	TE20A506	1	Connection nipple 3/4" NPT	Spare part
	TE20A500	1	1" Clamp connection	Spare part
3	TE20A520	1	Guide	Spare part
	TE20A520-01	1	Guide, PEEK	Spare part
4	TE51T034	2	O-ring, FEP/Silicone	Spare part
5	TE20A510	1	Gear house	Spare part
6	TE51T036	1	O-ring, FEP/Silicone	Spare part
7	TE20A307	1	Gear unit complete	Spare part
7.1	TE20A530	1	Turbine shaft	Wear part
7.2	TE20A525	1	Turbine wheel	Wear part
	TE20A525-01	1	Turbine wheel, PEEK	Wear part
7.3	TE51A102	1	Screw	Spare part
7.4	TE20A535	1	Traverse	Spare part
7.5	TE20A555	2	Distance bush	Spare part
7.6	TE20A562	5	Gear wheel, PEEK 450G	Wear part
7.7	TE20A310	1	Gear wheel	Wear part
7.9	TE20A566	1	Traction wheel	Wear part
7.10	TE20A577	1	Bearing bush	Wear part
7.11	TE20A571	1	Drive shaft	Wear part
7.12	TE51C050	1	Tubular rivet	Wear part
7.13	TE51A101	3	Screw	Spare part
7.14	TE20A305	1	Gear frame	Wear part
7.15	TE20A580	1	Bearing plate	Spare part
7.16	TE51C200	1	See pos. 16.1	Wear part
8	TE20A515	1	Gear house lower part	Spare part
11	TE20A587/592	1	Centre tube	Spare part
12	TE20A581/586	1	Driver tube	Spare part
13	TE20A320	1	Flange guide	Spare part
13.1	TE20A602	1	Split bushing	Spare part
13.2	TE51A011	1	Pointed screw	Spare part
14	TE20A605	1	Flange	Spare part
	TE20A607	1	Flange	Spare part
	TE20A608	1	3" Clamp flange	Spare part
15	TE51T022	1	O-ring, FEP/Silicone	Spare part
16	TE20A300	1	Cleaner head complete	Spare part
16.1	TE51C200	2	Circlip	Wear part
16.2	TE20A616	1	Bearing washer, upper	Wear part
16.3	TE126-2	12	Ball	Wear part
16.4	TE20A617	1	Bearing washer, lower	Wear part
16.5	TE20A623	1	Bush for stator	Wear part
16.6	TE20A626	1	Stator	Spare part
16.7	TE20A630	2	Bush	Wear part
16.8	TE20A635	1	Sleeve	Spare part
16.9	TE20A622	1	Bush	Wear part
16.10	TE20A655	4	Nozzle	Spare part
16.11	TE20A650	1	Nozzle head	Spare part
16.12	TE51C050	1	Tubular rivet	Wear part
16.13	TE51A100	1	Screw	Wear part
16.14	TE156	1	Spring washer	Wear part
16.15	TE20A640	1	Washer	Wear part
16.16	TE20A621	2	Collar bush	Wear part
16.17	TE20A645	1	Rotor	Wear part
16.18	TE20A610	1	Shaft for Cleaner head	Wear part

Spare Part Kit for Toftejorg TZ-89, Article No. TE20A299

Pos. no.	Reference no.	No.	Description
4	TE51T034	2	O-ring, FEP/Silicone
6	TE51T036	1	O-ring, FEP/Silicone
15	TE51T022	1	O-ring, FEP/Silicone
7.6	TE20A562	5	Gear wheel, PEEK 450G
16.2	TE20A616	1	Bearing washer, upper
16.4	TE20A617	1	Bearing washer, lower

Service Kit for Toftejorg TZ-89, Article No. TE20A285

Pos. no.	Reference no.	No.	Description
16.3	TE126-2	12	Ball for Thrust bearing
7.6	TE20A562	5	Gear wheel
16.2	TE20A616	1	Bearing washer Upper
16.4	TE20A617	1	Bearing washer Lower
16.16	TE20A621	2	Collar bush
16.9	TE20A622	1	Bush
16.5	TE20A623	1	Bush for Stator
16.7	TE20A630	2	Bush
1	TE51A050	8	Screw
4	TE51T034	2	O-ring

Tool Kit, Toftejorg TZ-89/TZ-89LF

Reference no.	Description
TE81B039	Hook-spanner Spanner Hex key for Allen Screw

How to contact Alfa Laval
Contact details for all countries are
continually updated on our website.
Please visit www.alfalaval.com to
access the information direct.