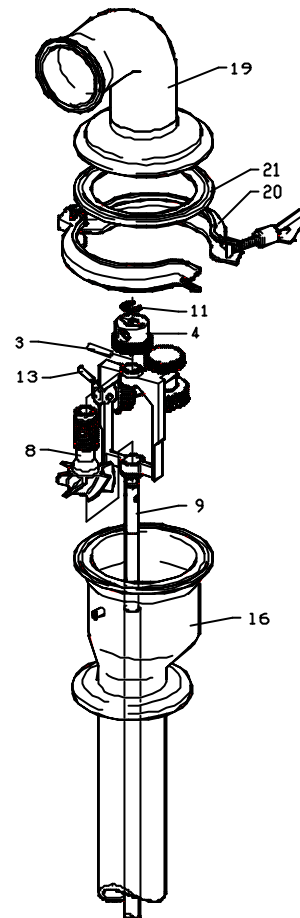
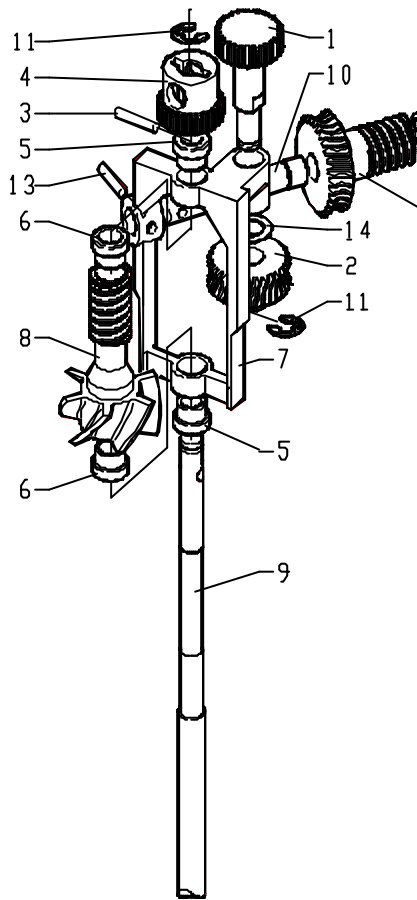




Spare Parts

Toftejorg SaniMega

Cross Sectional Drawing, Toftejorg SaniMega



Reference List of Parts, Toftejorg SaniMega

Pos.	Ref. no.	No/Unit	Description	Material
1	TE12A514	1	Pinion	PEEK
2	TE12A508	1	Worm wheel	AISI 316
3	TE51C017	1	Cylindrical Pin	A4
4	TE12A506	1	Gear wheel	AISI 316
5	TE12A528	2	Bush	PEEK
6	TE20G549	3	Bearing f. Turbine shaft	PEEK, 450FC30
7	TE12A505	1	Gear frame	AISI 316L
8	TE12A509	1	Turbine shaft	AISI 316L
9	TE12A530/33	1	Drive shaft	AISI 316L
10	TE12A507	1	Shaft	AISI 316L
11	TE51C202	3	Circlip	A4
12	TE12A513	1	Horizontal shaft	PEEK
13	TE51C004	1	Pin	A4
14	TE12A515	1	Washer	PTFE
15	TE12A566	1	Washer	AISI 316L
16	TE12A545/48	1	Housing	AISI 316L
17	TE12A573	1	Cleaner head	AISI 316L
18	TE12A559	1	Lock ring	AISI 316L
19	TE12A526	1	Inlet connection	AISI 316L
20	TE51S128	1	Clamp ring	AISI 304
21	TE51S118	1	Gasket	EPDM

Spare part kit for Toftejorg SaniMega, Article no. TE12A299

Pos.	Ref. No.	Number	Description	Material
3	TE51C017	2	Cylindrical Pin	A4
6	TE20G549	2	Bearing f. Turbine shaft	PEEK, 450FC30
11	TE51C202	3	Circlip	A4
12	TE12A513	1	Horizontal shaft	PEEK
18	TE12A559	1	Lock ring	AISI 316L

How to contact Alfa Laval

Contact details for all countries are continually updated on our website.

Please visit www.alfalaval.com to access the information direct.