



Fast, Effective Impact Cleaning

Toftejorg TZ-75 Rotary Jet Head - Portable

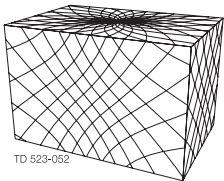
Application

The Toftejorg TZ-75 rotary jet head provides 3D indexed impact cleaning over a defined time period. It is automatic and represents a guaranteed means of achieving quality assurance from cleaning tanks. Storage and transportation tanks between 1,000 and 5,000 m³ (264,000 and 1,321,000 US gallons). Used in petro-chemical and chemical processing industries.

Working principle

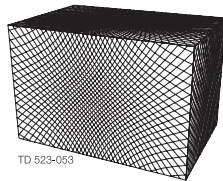
The flow of the cleaning fluid makes the nozzles perform a geared rotation around the vertical and horizontal axis. In the first cycle, the nozzles lay out a coarse pattern on the tank surface. The following cycles make the pattern gradually more dense until a full pattern is reached after 4 cycles.

Cleaning Pattern



TD 523-052

First cycle



TD 523-053

Full pattern



Materials

1.4404 (316L), UNS S21800, PTFE, PVDF, Carbon, EFTE

Technical Data

Weight: 11.3 kg (25.1 lbs)
 Lubricant: Self-lubricating with the cleaning fluid
 Working pressure: 5 - 12 bar (72 - 174 psi)
 Recommended pressure: 5 - 10 bar (72 - 145 psi)
 Flow rate: 18-48 m³/hour
 Max. working temperature: 95 °C (203 °F)
 Standard thread: 2" Rp (BSP) / 2" NPT
 Standard Surface finish: Ra0.5µm (20µ inch) exterior

Certificate:

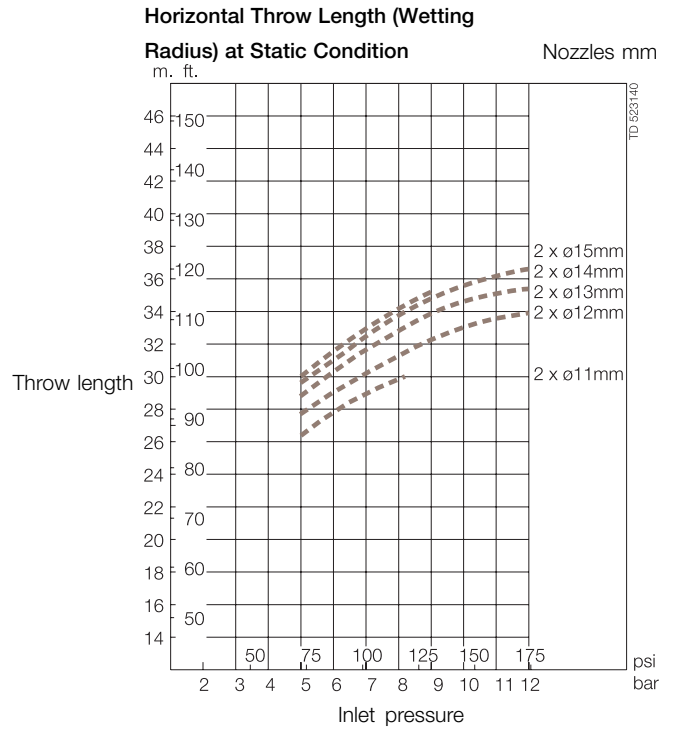
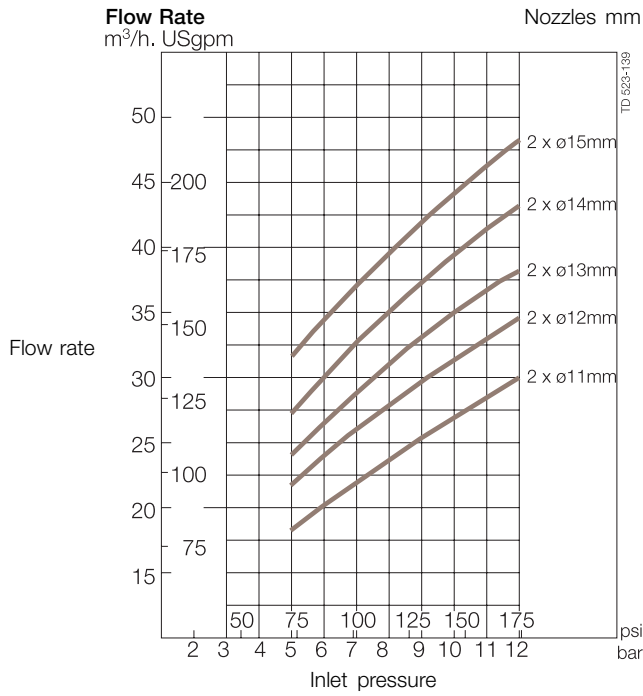
2.1

Options

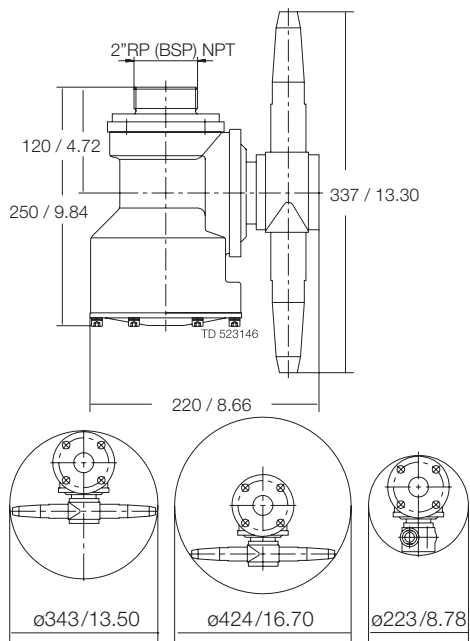
Optional hose saddle, deck cover plate, hose winch etc. are available.

Ordering

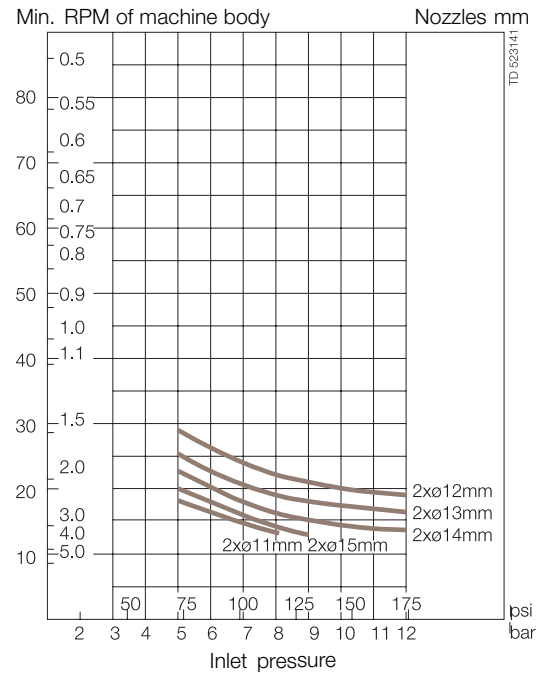
Sizing/selection and installation drawings are available in Alfa Laval's Selection Tools for Tank Cleaning Equipment.



Dimensions (mm / inch)



Cleaning Time, Complete Pattern



ESE00151EN 0901

The information contained herein is correct at the time of issue,
but may be subject to change without prior notice.

How to contact Alfa Laval

Contact details for all countries
are continually updated on our website.
Please visit www.alfalaval.com to
access the information direct.