



Instruction Manual

Toftejorg TZ-74 Cleaning Unit

IM-TE91A700-EN031

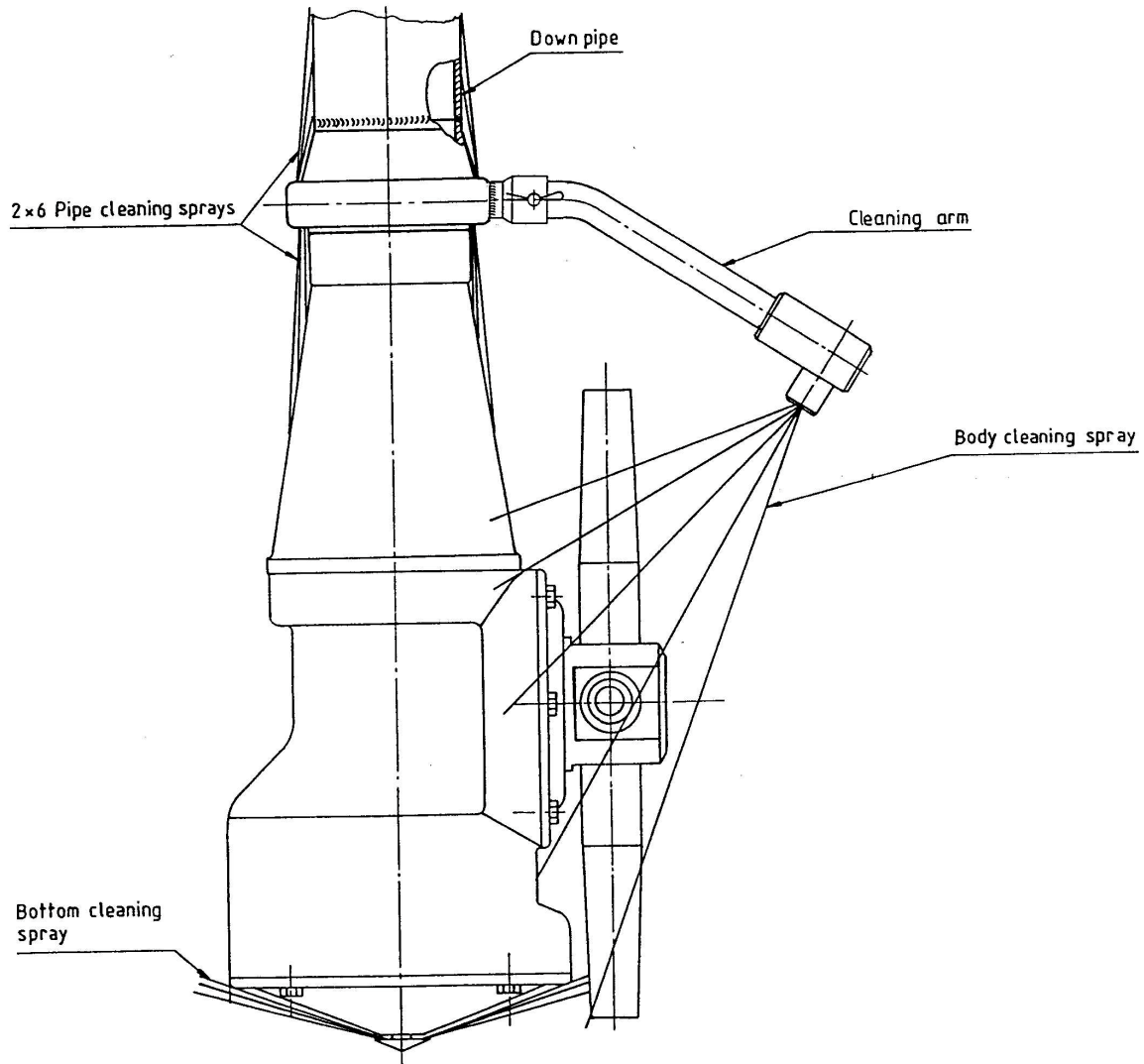
Contents

- Contents 1
- General Description 3
- Technical Data 4
 - Flow Rate of Cleaning Unit 4
 - Installation 4

General Description

The rotating Body and Hub of the tank cleaning machine are cleaned all over the surface during normal tank wash by means of a flat spray nozzle.

Top cone of tank cleaning machine and Down pipe are cleaned by means of small holes in cleaning nipple by 2 x 6 small cleaning jets.



The Cleaning unit is supplied with a PTFE gasket to provide a hygienic assembly between the Cleaning unit and the tank cleaning machine.

Technical Data

Flow Rate of Cleaning Unit

Pressure	Flow
3 bar	1.1 m ³ /h
5 bar	1.5 m ³ /h
8 bar	2.0 m ³ /h

Weight : 0.53 kgs

Materials : AISI 316, PTFE (Gasket)

Pipe connection : Article No. TE52D110 : 1½" ISO pipe (ø48.3 x 3.2mm)
Article No. TE52D111 : 2" Dairy pipe (ø51 x 1.2 mm)

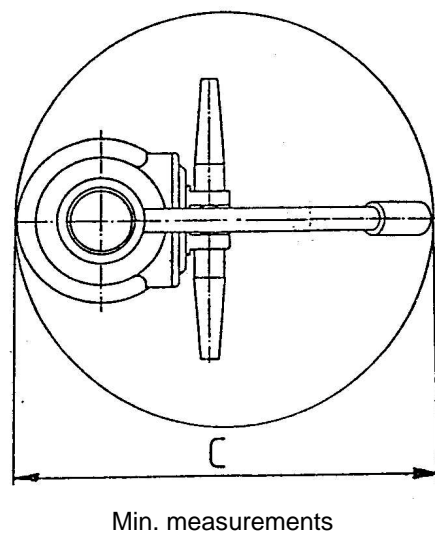
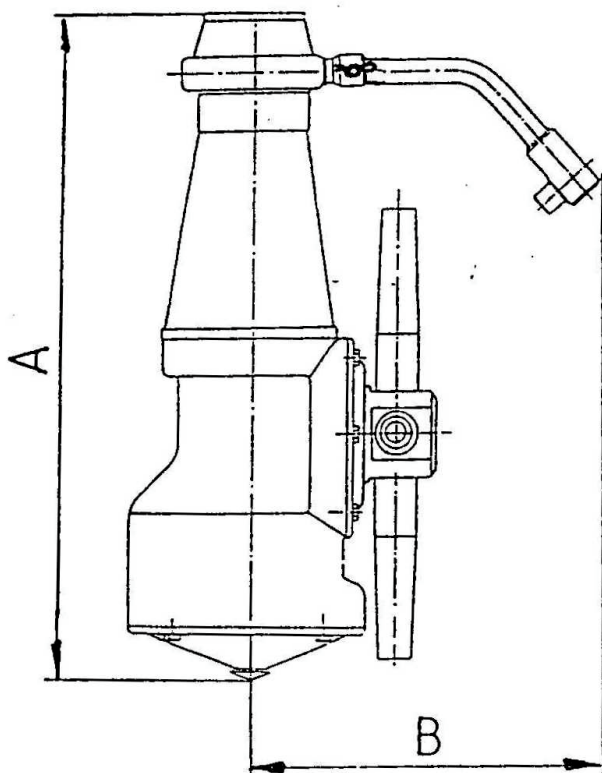
Thread connection : 1½" BSP

Installation

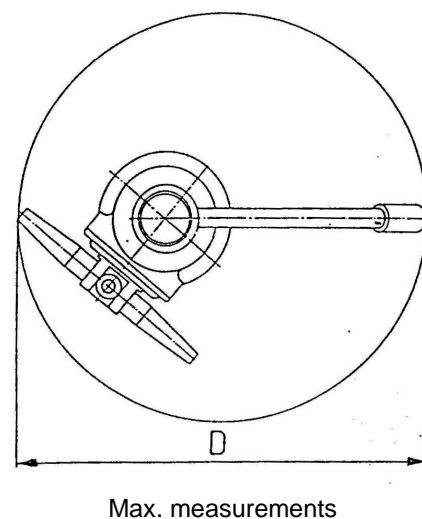
1. Remove Gasket: Weld cleaning unit on down pipe and clean welding as appropriate.
2. Mount Gasket (Article No.: TE52D536) sealing on cleaning nipple.
3. Cleaning unit is now ready for mounting of Toftejorg TZ-74 on 1½" BSP thread.
4. Tighten thread firmly. Make sure that it is tightened fully home to metal/metal contact behind the Gasket.
5. It is recommended to secure the connection in a manner appropriate for the application. Subject to the intended use environment and any inhouse user requirements or policies, an adhesive such as Loctite No. 242 or equivalent could be used. Other methods could be acceptable and subject to customer preferences.
6. Please see page 5 for main dimensions of unit. If the cleaning arm is removed the complete unit can go through an opening of min. ø185 mm.

Technical Data (continued)

Principal dimensions



- A : 340 mm
- B : 160 mm
- C : 185 mm ¹⁾
- D : 216 mm ²⁾



- ¹⁾ Minimum transcribed circle of unit
- ²⁾ Maximum transcribed circle of unit