

For Gentle Product Flow

LKB-LP Low Pressure Butterfly Valve

Application

LKB Low Pressure is a sanitary manually operated butterfly valve for use in stainless steel pipe systems.

Working principle

LKB Low Pressure is operated by means of a handle. The handle mechanically locks the valve in its open or closed position. A disc closes against a rubber seal when the handle is at right angle to the pipeline. When the handle is turned 90° the disc is parallel to the product flow and the valve is fully open.

Standard design

The valve consists of two valve body halves, valve disc, bushes for the stem and seal ring. The valve is assembled by means of screws and nuts.

The handle is fitted onto the valve by means of a cap/block system and screw.

Materials

Valve body: Stainless steel AISI 304.
 Disc: Stainless steel AISI 304.
 Handle: Stainless steel AISI 304.
 Seal: EPDM.
 Finish: Semi bright.

Size

DN/OD 25 mm (1")	DN 25
DN/OD 38 mm (1½")	DN 40
DN/OD 51 mm (2")	DN 50
DN/OD 63.5 mm (2½")	DN 65
DN/OD 76.1 mm (3")	DN 80
DN/OD 101.6 mm (4")	DN 100



Fig. 1. LKB Low Pressure Butterfly valve

Connections

LKB Low Pressure is available with the following connection combinations:

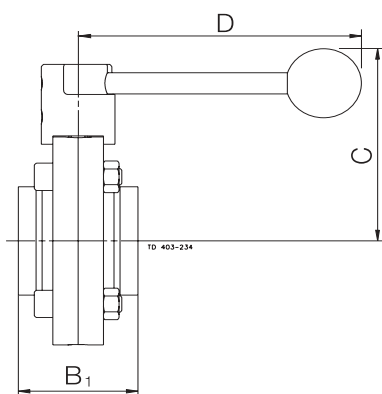
- ISO welding end - ISO welding end.
- DIN welding end - DIN welding end.
- ISO clamp end - ISO clamp end.

NOTE! Actuator not available.

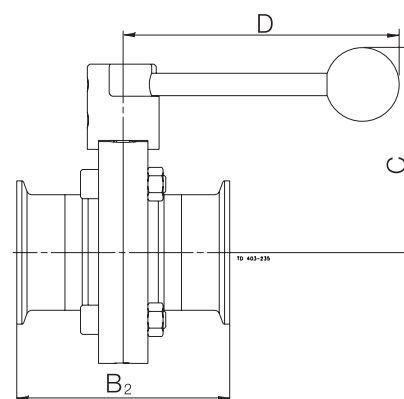
Dimensions (mm) - Valve (900246)

Size	DN/OD 25	DN/OD 38	DN/OD 51	DN/OD 63.5	DN/OD 76.1	DN/OD 101.6	DN 25	DN 40	DN 50	DN 65	DN 80	DN 100
A	78.0	78.0	99.0	117.0	132.0	169.0	79.2	86.5	105.7	125.0	143.0	169.0
B1	47.0	47.0	52.0	54.0	62.0	80.0	47.0	47.0	52.0	62.0	64.0	80.0
B2	90.0	90.0	95.0	97.0	105.0	123.0	-	-	-	-	-	-
OD	25.6	38.6	51.6	64.1	76.6	102.2	30.0	42.0	54.0	70.0	85.0	104.0
ID	22.5	35.5	48.5	60.5	72.0	97.6	26.0	38.0	50.0	66.0	81.0	100.0
t	1.55	1.55	1.55	1.8	2.3	2.3	2.0	2.0	2.0	2.0	2.0	2.0
C	89.0	89.0	99.0	109.0	116.0	135.0	89.0	93.0	103.0	113.0	122.0	135.0
D	120.0	120.0	120.0	162.0	162.0	162.0	120.0	120.0	120.0	162.0	162.0	162.0
Weight (kg)	1,1	1,0	1,5	2,1	2,8	4,8	1,1	1,0	1,5	2,1	2,8	4,8

NOTE! Weights are for valves with welding ends and handles.



a. LKB Low Pressure with welding ends.



b. LKB Low Pressure with clamp ends.

Fig. 2. Dimensions - valve.

Technical Data

Valve:

Max. product pressure: 500 kPa (5 bar).
 Min. product pressure: Full vacuum.
 Temperature range: -10° C to +95° C.

Materials

Valve:

Finish: Semi-bright.
 Steel parts: AISI 304.
 Seal: EPDM
 Bushes for valve disc: PVDF.