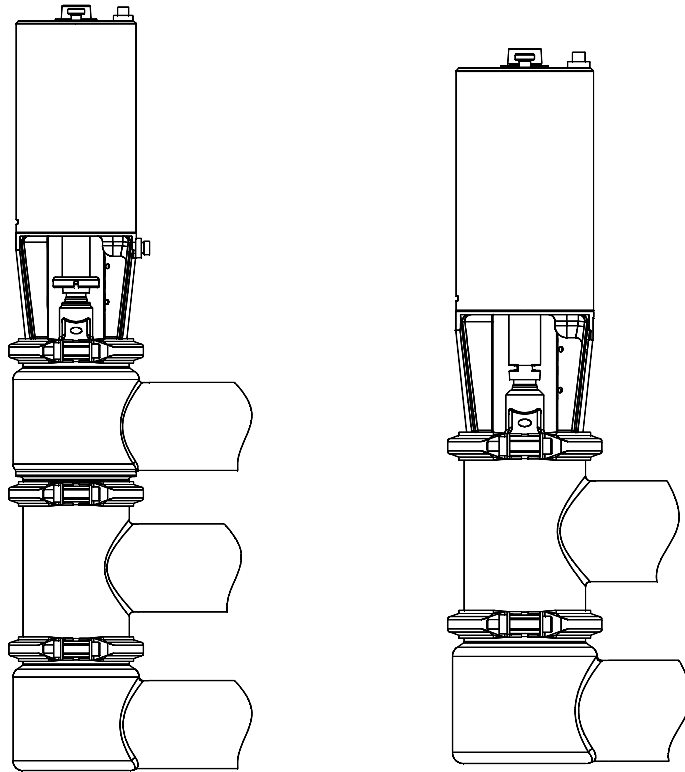


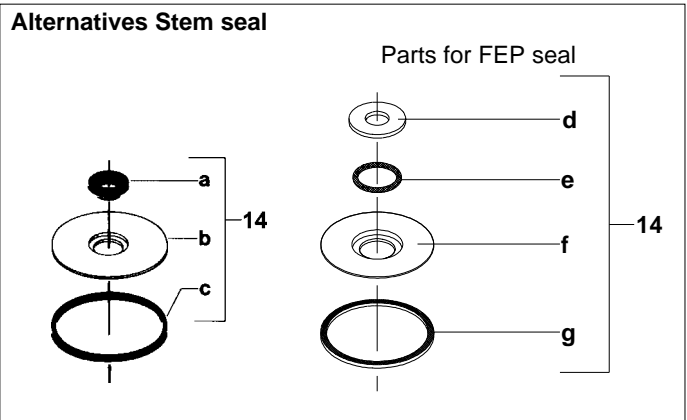
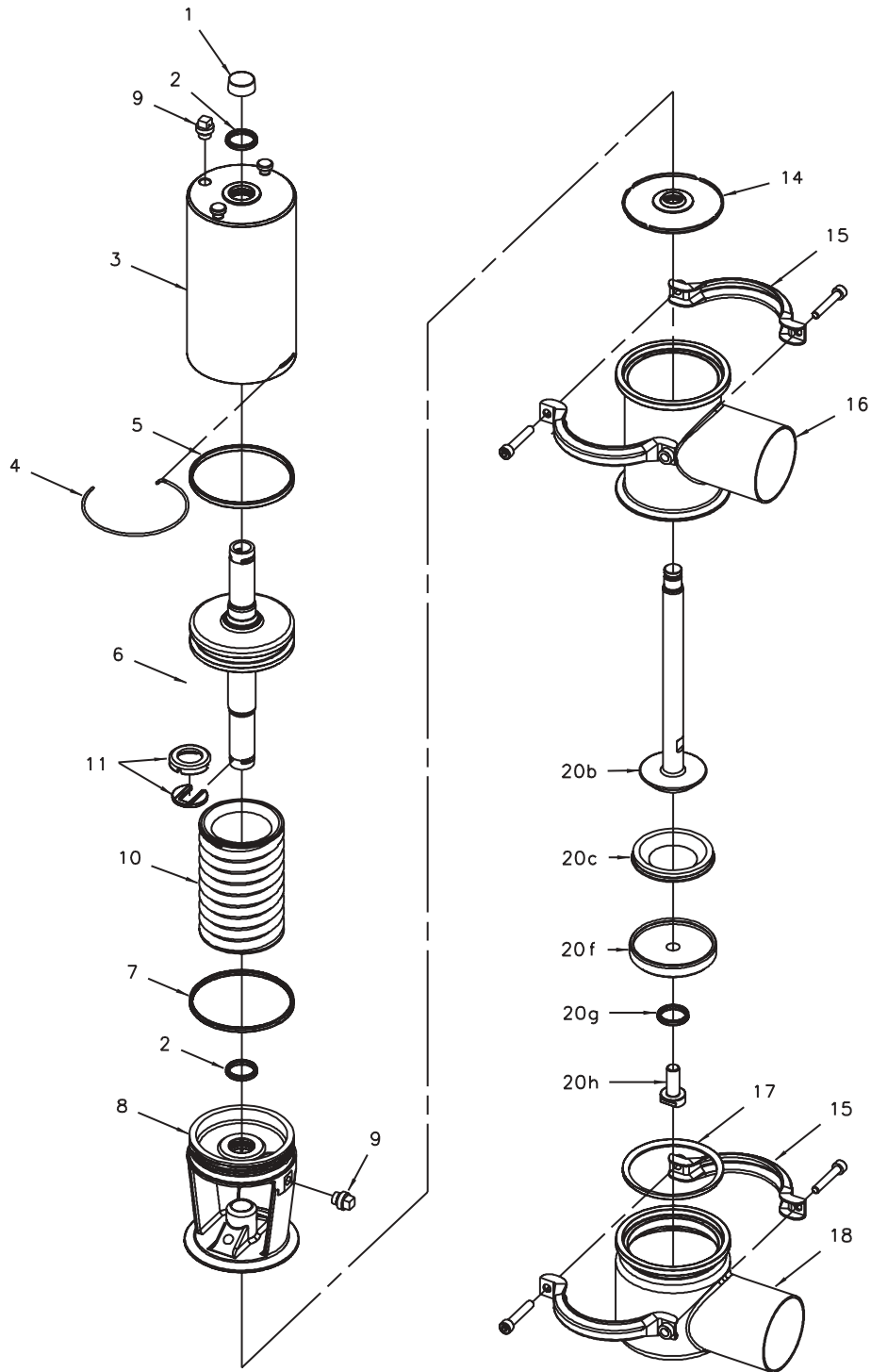
Spare Parts

SRC-RC Reverse Closing Valve



SRC-RC Stop Valve 38 -101.6 mm/DN40-100

2



SRC-RC Stop Valve 38-101.6 mm/DN40-100

ACTUATOR

Pos.	Qty	Denomination	DN 40 38 mm	DN 50 51 mm	DN65 63.5 mm	DN80 76 mm	DN100 101.6 mm
		Actuator -1, complete (NO)	31353-0206-2	31353-0206-2	31353-0206-2	31353-0214-2	31353-0214-2
		Actuator -2, complete (NC)	31353-0206-1	31353-0206-1	31353-0206-1	31353-0214-1	31353-0214-1
		Actuator -3, complete (A/A)	31353-0206-3	31353-0206-3	31353-0206-3	31353-0214-3	31353-0214-3
1	1	Cap	31801-0525-6	31801-0525-6	31801-0525-6	31801-0525-5	31801-0525-5
2Δ	2	O-ring	223406-25	223406-25	223406-25	223406-49	223406-49
3	1	Cylinder	31353-0139-1	31353-0139-1	31353-0139-1	31353-0185-1	31353-0185-1
4Δ	1	Lock Wire	31353-0151-1	31353-0151-1	31353-0151-1	31353-0189-1	31353-0189-1
5Δ	1	O-ring	223401-74	223401-74	223401-74	223401-75	223401-75
6	1	Piston -1, -2	31353-0621-1	31353-0621-1	31353-0621-1	31353-0619-1	31353-0619-1
	1	Piston -3	31353-0621-2	31353-0621-2	31353-0621-2	31353-0619-2	31353-0619-2
7Δ	1	O-ring	9611-99-0396	9611-99-0396	9611-99-0396	223406-17	223406-17
8	1	Bonnet	31353-0133-1	31353-0133-1	31353-0133-1	31353-0190-1	31353-0190-1
9*	2	Plug	31353-0154-1	31353-0154-1	31353-0154-1	31353-0154-1	31353-0154-1
10a*	1	Spring assembly (standard black)	31353-0625-1	31353-0625-1	31353-0625-1	31353-0622-1	31353-0622-1
10b*	1	Spring assembly with extra strong spring (white)	31353-0625-2	31353-0625-2	31353-0625-2	31353-0622-2	31353-0622-2
11Δ	1	Clip, complete	31353-0793-1	31353-0793-1	31353-0793-1	31353-0793-2	31353-0793-2
Δ		Service kit	9611-92-0008	9611-92-0008	9611-92-0008	9611-92-0009	9611-92-0009

* Only for actuator -1 and -2.

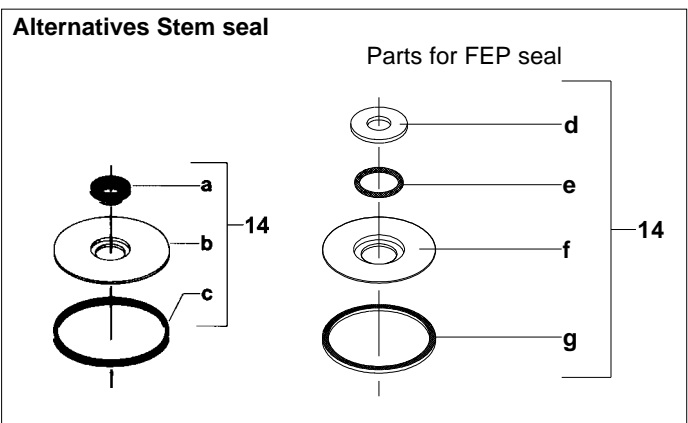
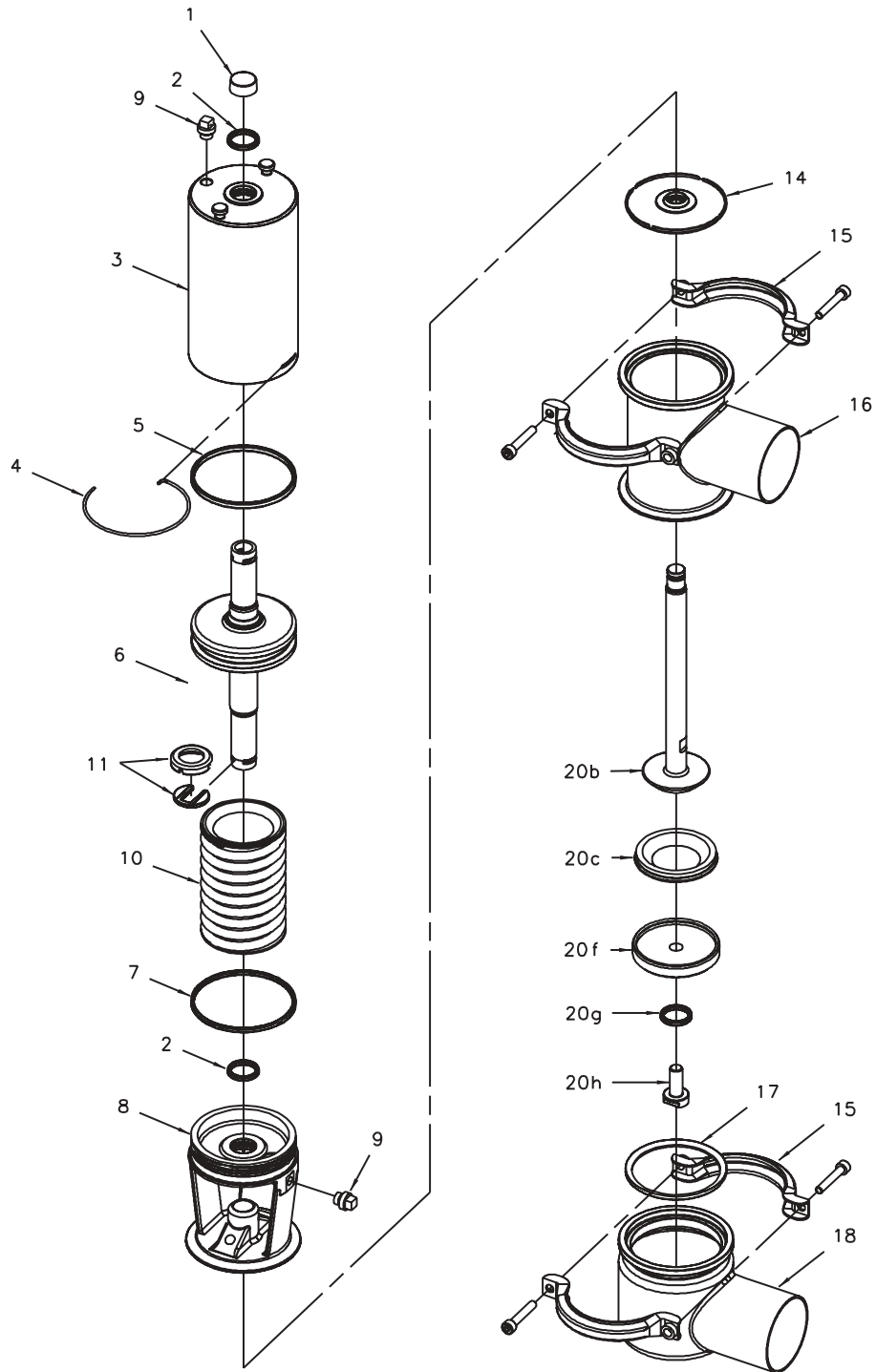
Valve Body Part

Pos.	Qty	Denomination	DN 40 38 mm	DN 50 51 mm	DN65 63.5 mm	DN 80 76 mm	DN 100 101.6 mm
Stem Seal							
14Δ	1	Lip seal, EPDM (standard)	31353-0155-1	31353-0155-1	31353-0155-1	31353-0188-1	31353-0188-1
	1	Lip seal, NBR	31353-0155-2	31353-0155-2	31353-0155-2	31353-0188-2	31353-0188-2
	1	Lip seal, FPM	31353-0155-3	31353-0155-3	31353-0155-3	31353-0188-3	31353-0188-3
Clamp							
15a+b	2	Clamps and screws	31320-0027-3	31320-0027-3	31320-0027-3	31320-0027-2	31320-0027-2
Valve Body							
16	1	Valve body, upper, 1 port ISO	31353-0053-1	31353-0054-1	31353-0055-1	31353-0056-1	31353-0058-1
	1	Valve body, upper, 1 port DIN	9612-0945-01	9612-0946-01	9612-0947-01	9612-0948-01	9612-0949-01
16	1	Valve body, upper, 2 ports ISO	31353-0053-6	31353-0054-6	31353-0055-6	31353-0056-6	31353-0058-6
	1	Valve body, upper, 2 ports DIN	9612-0945-02	9612-0946-02	9612-0947-02	9612-0948-02	9612-0949-02
17Δ●	1	Valve body seal ring, EPDM (standard) .	31353-0128-1	31353-0128-1	31353-0128-1	31353-0205-1	31353-0205-1
	1	Valve body seal ring, NBR	31353-0128-2	31353-0128-2	31353-0128-2	31353-0205-2	31353-0205-2
	1	Valve body seal ring, FPM	31353-0128-3	31353-0128-3	31353-0128-3	31353-0205-3	31353-0205-3
	1	Valve body packing, PTFE	31353-0451-1	31353-0451-1	31353-0451-1	31353-0451-2	31353-0451-2
18	1	Valve body, lower, 1 port ISO	31353-0582-1	31353-0583-1	31353-0584-1	31353-0584-1	31353-0586-1
	1	Valve body, lower, 1 port DN	9612-3221-01	9612-3222-01	9612-3223-01	9612-3224-01	9612-3225-01
18	1	Valve body, lower, 2 ports ISO	31353-0582-2	31353-0583-2	31353-0584-2	31353-0585-2	31353-0586-2
	1	Valve body, lower, 2 ports DN	9612-3221-02	9612-3222-02	9612-3223-02	9612-3224-02	9612-3225-01
Valve Plug							
20	1	Plug, complete EPDM (standard)	31353-0571-1	31353-0573-1	31353-0574-1	31353-0575-1	31353-0576-1
	1	Plug, complete NBR	31353-0571-2	31353-0573-2	31353-0574-2	31353-0575-2	31353-0576-2
	1	Plug, complete FPM	31353-0571-3	31353-0573-3	31353-0574-3	31353-0575-3	31353-0576-3
b	1	Stem	31353-0569-1	31353-0569-2	31353-0569-3	31353-0570-1	31353-0570-2
cΔ●	1	Seal ring, upper, EPDM (standard)	31353-0321-1	31353-0321-1	31353-0321-1	31353-0324-1	31353-0325-1
	1	Seal ring, upper, NBR	31353-0321-2	31353-0321-2	31353-0321-2	31353-0324-2	31353-0325-2
	1	Seal ring, upper, FPM	31353-0321-3	31353-0321-3	31353-0321-3	31353-0324-3	31353-0325-3
	1	Packing, upper, PTFE	31353-1212-1	31353-1212-1	31353-1216-1	31353-1214-1	31353-1215-1
f	1	Washer	31353-0564-1	31353-0564-1	31353-0565-1	31353-0566-1	31353-0567-1
gΔ●	1	O-ring, EPDM (standard)	990034-01	990034-01	990034-01	990034-01	990034-01
	1	O-ring, NBR	223404-21	223404-21	223404-21	223404-21	223404-21
	1	O-ring, FPM	223404-35	223404-35	223404-35	223404-35	223404-35
	1	Seal ring, PTFE	9612-4330-01	9612-4330-01	9612-4330-01	9612-4330-01	9612-4330-01
h	1	Screw	31353-0362-1	31353-0362-1	31353-0362-1	31353-0362-1	31353-0362-1
Δ		Service kit EPDM	9611-92-0518	9611-92-0518	9611-92-0521	9611-92-0524	9611-92-0527
Δ		Service kit NBR	9611-92-0519	9611-92-0519	9611-92-0522	9611-92-0525	9611-92-0528
Δ		Service kit FPM	9611-92-0520	9611-92-0520	9611-92-0523	9611-92-0526	9611-92-0529

SRC-RC Stop Valve

38-101.6 mm/DN40-100

4



SRC-RC Stop Valve 38-101.6 mm/DN40-100

Pos.	Qty	Denomination	DN 40 38 mm	DN 50 51 mm	DN65 63.5 mm	DN 80 76 mm	DN 100 101.6 mm
Valve Body with 0.8 RA finish inside							
16	1	Valve body, upper, 1 port ISO	31353-0053-2	31353-0054-2	31353-0055-2	31353-0056-2	31353-0058-2
	1	Valve body, upper, 1 port DIN	9612-0945-03	9612-0946-03	9612-0947-03	9612-0948-03	9612-0949-03
16	1	Valve body, upper, 2 ports ISO	31353-0053-3	31353-0054-3	31353-0055-3	31353-0056-3	31353-0058-3
	1	Valve body, upper, 2 ports DIN	9612-0945-04	9612-0946-04	9612-0947-04	9612-0948-04	9612-0949-04
18	1	Valve body, lower, 1 port ISO	31353-0582-7	31353-0583-7	31353-0584-7	31353-0858-7	31353-0586-7
	1	Valve body, lower, 1 port DN	9612-3221-03	9612-3222-03	9612-3223-03	9612-3224-03	9612-3225-03
18	1	Valve body, lower, 2 ports ISO	31353-0582-8	31353-0583-8	31353-0584-8	31353-0585-8	31353-0586-8
	1	Valve body, lower, 2 ports DN	9612-3221-04	9612-3222-04	9612-3223-04	9612-3224-04	9612-3225-04

Valve plug with 0.8 RA finish							
20	1	Plug, complete EPDM (standard)	31353-0571-4	31353-0573-4	31353-0574-4	31353-0575-4	31353-0576-1
	1	Plug, complete NBR	31353-0571-5	31353-0573-5	31353-0574-5	31353-0575-5	31353-0576-2
	1	Plug, complete FPM	31353-0571-6	31353-0573-6	31353-0574-6	31353-0575-6	31353-0576-3
b	1	Stem	31353-0569-4	31353-0569-5	31353-0569-5	31353-0570-4	31353-0570-4
f	1	Washer	31353-0564-2	31353-0564-2	31353-0565-2	31353-0566-2	31353-0567-2
h	1	Screw	31353-1011-1	31353-1011-1	31353-1011-1	31353-1011-1	31353-1011-1

Parts marked with Δ are included in the service kits

Alternatives

Pos.	Qty	Denomination	DN 40 38 mm	DN 50 51 mm	DN65 63.5 mm	DN 80 76 mm	DN 100 101.6 mm
Stem seal							
14	1	Lip seal kit, EPDM (standard)	9611-92-0078	9611-92-0078	9611-92-0078	9611-92-0142	9611-92-0142
	1	Lip seal kit, NBR	9611-92-0079	9611-92-0079	9611-92-0079	9611-92-0143	9611-92-0143
	1	Lip seal kit, FPM	9611-92-0080	9611-92-0080	9611-92-0080	9611-92-0144	9611-92-0144
a●	1	Lip seal, EPDM	9612-2806-01	9612-2806-01	9612-2806-01	9612-3088-01	9612-3088-01
	1	Lip seal, NBR	9612-2806-02	9612-2806-02	9612-2806-02	9612-3088-02	9612-3088-02
	1	Lip seal, FPM	9612-2806-03	9612-2806-03	9612-2806-03	9612-3088-03	9612-3088-03
b	1	Plate	9612-2805-01	9612-2805-01	9612-2805-01	9612-3087-01	9612-3087-01
c●	1	Seal ring, EPDM	31353-0128-1	31353-0128-1	31353-0128-1	31353-0205-1	31353-0205-1
	1	Seal ring, NBR	31353-0128-2	31353-0128-2	31353-0128-2	31353-0205-2	31353-0205-2
	1	Seal ring, FPM	31353-0128-3	31353-0128-3	31353-0128-3	31353-0205-3	31353-0205-3
d	1	Washer	31353-0452-1	31353-0452-1	31353-0452-1	31353-0452-2	31353-0452-2
e●	1	O-ring FEP/silicone	9611-99-2909	9611-99-2909	9611-99-2909	9611-99-2910	9611-99-2910
f	1	Plate	31353-0453-1	31353-0453-1	31353-0453-1	31353-0454-1	31353-0454-1
g●	1	Valve body packing	31353-0451-1	31353-0451-1	31353-0451-1	31353-0451-2	31353-0451-2

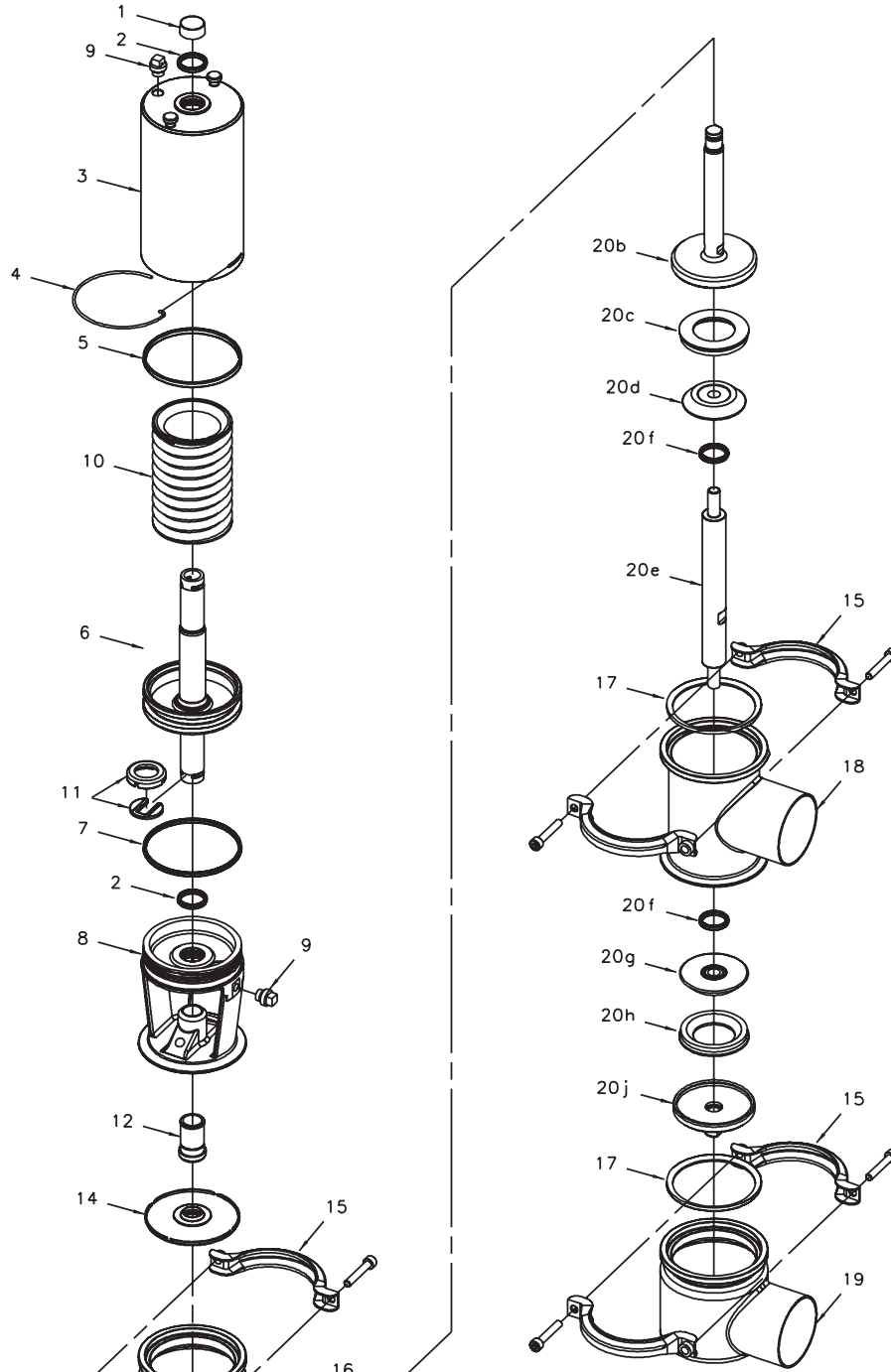
Service kits special lip seals (marked ●)

●	Service kit EPDM	9611-92-0971	9611-92-0975	9611-92-0979	9611-92-0983	9611-92-0987
●	Service kit NBR	9611-92-0972	9611-92-0976	9611-92-0980	9611-92-0984	9611-92-0988
●	Service kit FPM	9611-92-0973	9611-92-0977	9611-92-0981	9611-92-0985	9611-92-0989
●	Service kit FEP	9611-92-0974	9611-92-0978	9611-92-0982	9611-92-0986	9611-92-0990

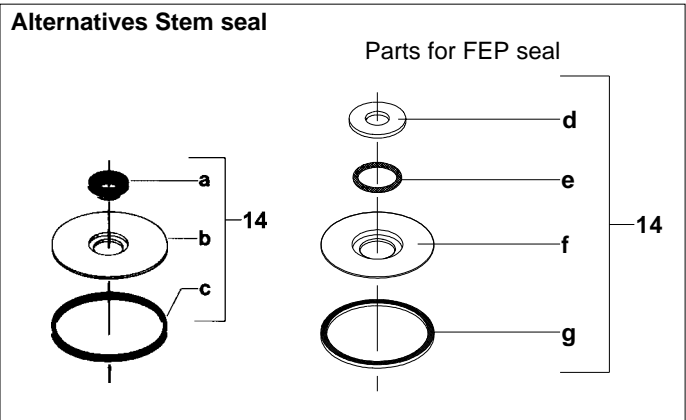
Recommended spare parts: Service kits.

SRC-RC Change-over Valve 51-101.6 mm/DN50-100

6



TD 452-045



SRC-RC Change-over Valve 51-101.6 mm/DN50-100

ACTUATOR

Pos.	Qty	Denomination	DN 50 51 mm	DN65 63.5 mm	76 mm	DN 80	DN 100 101.6 mm
		Actuator -1, complete (NO)	9612-6435-02	9612-6435-02	9612-9016-02	9612-9016-02	9612-9016-02
		Actuator -2, complete (NC)	9612-6435-01	9612-6435-01	9612-9016-01	9612-9016-01	9612-9016-01
		Actuator -3, complete (A/A)	9612-6435-03	9612-6435-03	9612-9016-03	9612-9016-03	9612-9016-03
1	1	Cap	31801-0525-6	31801-0525-6	31801-0525-5	31801-0525-5	31801-0525-5
2Δ	2	O-ring	223406-25	223406-25	223406-49	223406-49	223406-49
3	1	Cylinder	31353-0139-3	31353-0139-3	31353-0185-2	31353-0185-2	31353-0185-2
4Δ	1	Lock Wire	31353-0151-1	31353-0151-1	31353-0189-1	31353-0189-1	31353-0189-1
5Δ	1	O-ring	223401-74	223401-74	223401-75	223401-75	223401-75
6	1	Piston -1, -2	31353-0621-1	31353-0621-1	31353-0619-1	31353-0619-1	31353-0619-1
	1	Piston -3	31353-0621-2	31353-0621-2	31353-0619-2	31353-0619-2	31353-0619-2
7Δ	1	O-ring	9611-99-0396	9611-99-0396	223406-17	223406-17	223406-17
8	1	Bonnet	9612-3591-01	9612-3591-01	9612-3592-01	9612-3592-01	9612-3592-01
9*	2	Plug	31353-0154-1	31353-0154-1	31353-0154-1	31353-0154-1	31353-0154-1
10a*	1	Spring assembly (standard black)	31353-0625-1	31353-0625-1	31353-0622-1	31353-0622-1	31353-0622-1
10b*	1	Spring assembly with extra strong spring (white).	31353-0625-2	31353-0625-2	31353-0622-2	31353-0622-2	31353-0622-2
11Δ	1	Clip, complete	31353-0793-1	31353-0793-1	31353-0793-2	31353-0793-2	31353-0793-2
12Δ	1	Guide ring	9612-3586-01	9612-3586-01	9612-3586-02	9612-3586-02	9612-3586-02
Δ		Service kit	9611-92-0969	9611-92-0969	9611-92-0970	9611-92-0970	9611-92-0970

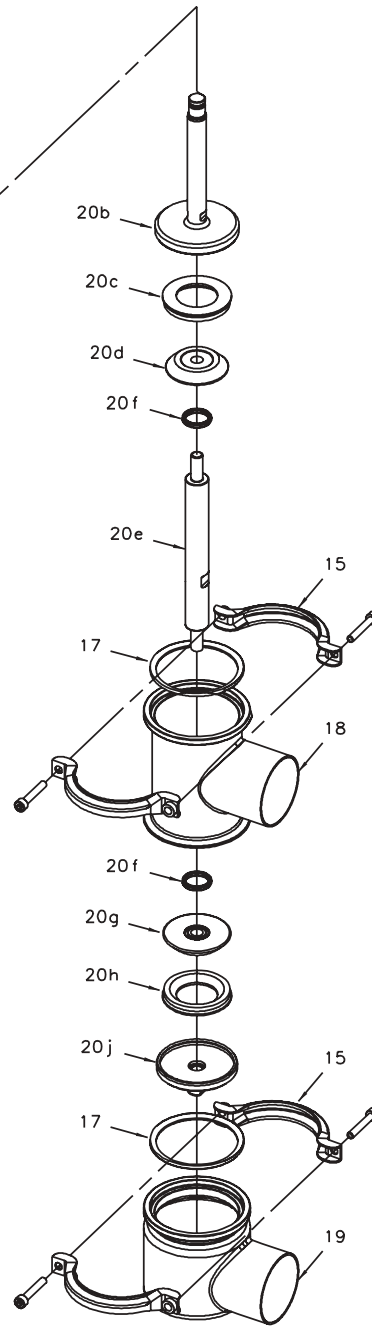
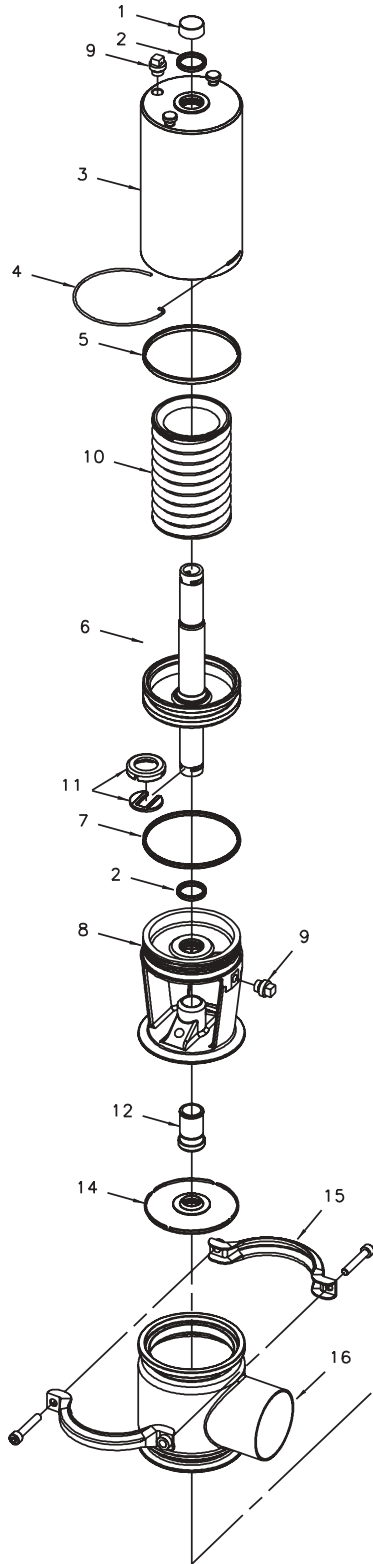
* Only for actuator -1 and -2.

Valve Body Part

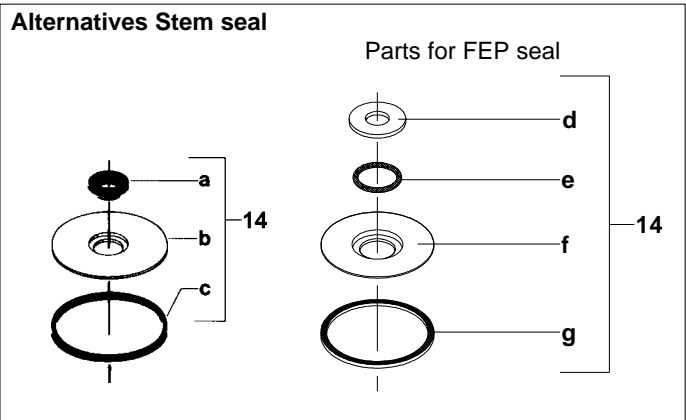
Pos.	Qty	Denomination	DN 50 51 mm	DN65 63.5 mm	76 mm	DN 80	DN 100 101.6 mm
Stem Seal							
14Δ	1	Lip seal, EPDM (standard)	31353-0155-1	31353-0155-1	31353-0188-1	31353-0188-1	31353-0188-1
	1	Lip seal, NBR	31353-0155-2	31353-0155-2	31353-0188-2	31353-0188-2	31353-0188-2
	1	Lip seal, FPM	31353-0155-3	31353-0155-3	31353-0188-3	31353-0188-3	31353-0188-3
Clamp							
15a+b	3	Clamps and screws	31320-0027-3	31320-0027-3	31320-0027-2	31320-0027-2	31320-0027-2
Valve Body							
16	1	Valve body, upper, 1 port ISO	9612-6161-01	9612-5778-01	9612-6165-01		9612-5779-01
	1	Valve body, upper, 1 port DN	9612-6162-01	9612-6163-01		9612-6166-01	9612-6164-01
16	1	Valve body, upper, 2 ports ISO	9612-6161-02	9612-5778-02	9612-6165-02		9612-5779-02
	1	Valve body, upper, 2 ports DN	9612-6162-02	9612-6163-02		9612-6166-02	9612-6164-02
17Δ●	2	Valve body seal ring, EPDM (standard)	31353-0128-1	31353-0128-1	31353-0205-1	31353-0205-1	31353-0205-1
	2	Valve body seal ring, NBR	31353-0128-2	31353-0128-2	31353-0205-2	31353-0205-2	31353-0205-2
	2	Valve body seal ring, FPM	31353-0128-3	31353-0128-3	31353-0205-3	31353-0205-3	31353-0205-3
	2	Valve body packing, PTFE	31353-0451-1	31353-0451-1	31353-0451-2	31353-0451-2	31353-0451-2
18	1	Valve body, middle, 2 ports ISO	31353-0054-1	31353-0055-1	31353-0056-1		31353-0058-1
	1	Valve body, middle, 2 ports DN	9612-0946-01	9612-0947-01		9612-0948-01	9612-0949-01
18	1	Valve body, middle, 3 ports ISO	31353-0054-6	31353-0055-6	31353-0056-6		31353-0058-6
	1	Valve body, middle, 3 ports DN	9612-0946-02	9612-0947-02		9612-0948-02	9612-0948-02
19	1	Valve body, lower, 1 port ISO	31353-0583-1	31353-0584-1	31353-0585-1		31353-0586-1
	1	Valve body, lower, 1 port DN	9612-3222-01	9612-3223-01		9612-3224-01	9612-3225-01
19	1	Valve body, lower, 2 ports ISO	31353-0583-2	31353-0584-2	31353-0585-2		31353-0586-2
	1	Valve body, lower, 2 ports DN	9612-3222-02	9612-3223-02		9612-3224-02	9612-3225-02

SRC-RC Change-over Valve 51-101.6 mm/DN50-100

8



TD 452-045



SRC-RC Change-over Valve 51-101.6 mm/DN50-100

Pos.	Qty	Denomination	DN 50 51 mm	DN65 63.5 mm	76 mm	DN 80	DN 100 101.6 mm
Valve Plug							
20	1	Plug, complete EPDM (standard)	9612-6490-01	9612-6490-04	9612-6490-07	9612-6490-10	9612-6490-13
	1	Plug, complete NBR	9612-6490-02	9612-6490-05	9612-6490-08	9612-6490-11	9612-6490-14
	1	Plug, complete FPM	9612-6490-03	9612-6490-06	9612-6490-09	9612-6490-12	9612-6490-15
b	1	Stem, upper	31353-0377-2	31353-0378-2	31353-0341-3	9612-6298-01	31353-0379-2
c▲●	1	Seal ring, upper, EPDM (standard)	31353-0321-1	31353-0322-1	31353-0324-1	31353-0324-1	31353-0325-1
	1	Seal ring, upper, NBR	31353-0321-2	31353-0322-2	31353-0324-2	31353-0324-2	31353-0325-2
	1	Seal ring, upper, FPM	31353-0321-3	31353-0322-3	31353-0324-3	31353-0324-3	31353-0325-3
	1	Packing upper, PTFE	31353-1212-1	31353-1213-1	31353-1214-1	31353-1214-1	31353-1215-1
d	1	Washer, upper	31353-0358-1	31353-0359-1	31353-0360-1	31353-0360-1	31353-0361-1
e	1	Middle stem	9612-5783-01	9612-5783-02	9612-5783-04	9612-5783-03	9612-5783-05
f▲●	2	O-ring, EPDM (standard)	990034-01	990034-01	990034-01	990034-01	990034-01
	2	O-ring, NBR	223404-21	223404-21	223404-21	223404-21	223404-21
	2	O-ring, FPM	223404-35	223404-35	223404-35	223404-35	223404-35
	2	Seal-ring PTFE	9612-4330-01	9612-4330-01	9612-4330-01	9612-4330-01	9612-4330-01
g	1	Washer, lower	31353-0358-1	9612-5849-01	31353-0360-1	31353-0360-1	31353-0361-1
h▲●	1	Seal ring, lower, EPDM (standard)	31353-0321-1	31353-0323-1	31353-0324-1	31353-0324-1	31353-0325-1
	1	Seal ring, lower, NBR	31353-0321-2	31353-0323-2	31353-0324-2	31353-0324-2	31353-0325-2
	1	Seal ring, lower, FPM	31353-0321-3	31353-0323-3	31353-0324-3	31353-0324-3	31353-0325-3
	1	Packing, PTFE	31353-1212-1	31353-1213-1	31353-1214-1	31353-1214-1	31353-1215-1
j	1	Lower stem	9612-5785-01	9612-5785-02	9612-5785-03	9612-5785-03	9612-5785-04
Δ		Service kit EPDM	9611-92-0934	9611-92-0937	9611-92-0940	9611-92-0943	9611-92-0946
Δ		Service kit NBR	9611-92-0935	9611-92-0938	9611-92-0941	9611-92-0944	9611-92-0947
Δ		Service kit FPM	9611-92-0936	9611-92-0939	9611-92-0942	9611-92-0945	9611-92-0948

Parts marked with ▲/● included in the service kits

Valve Body with 0.8 RA finish inside

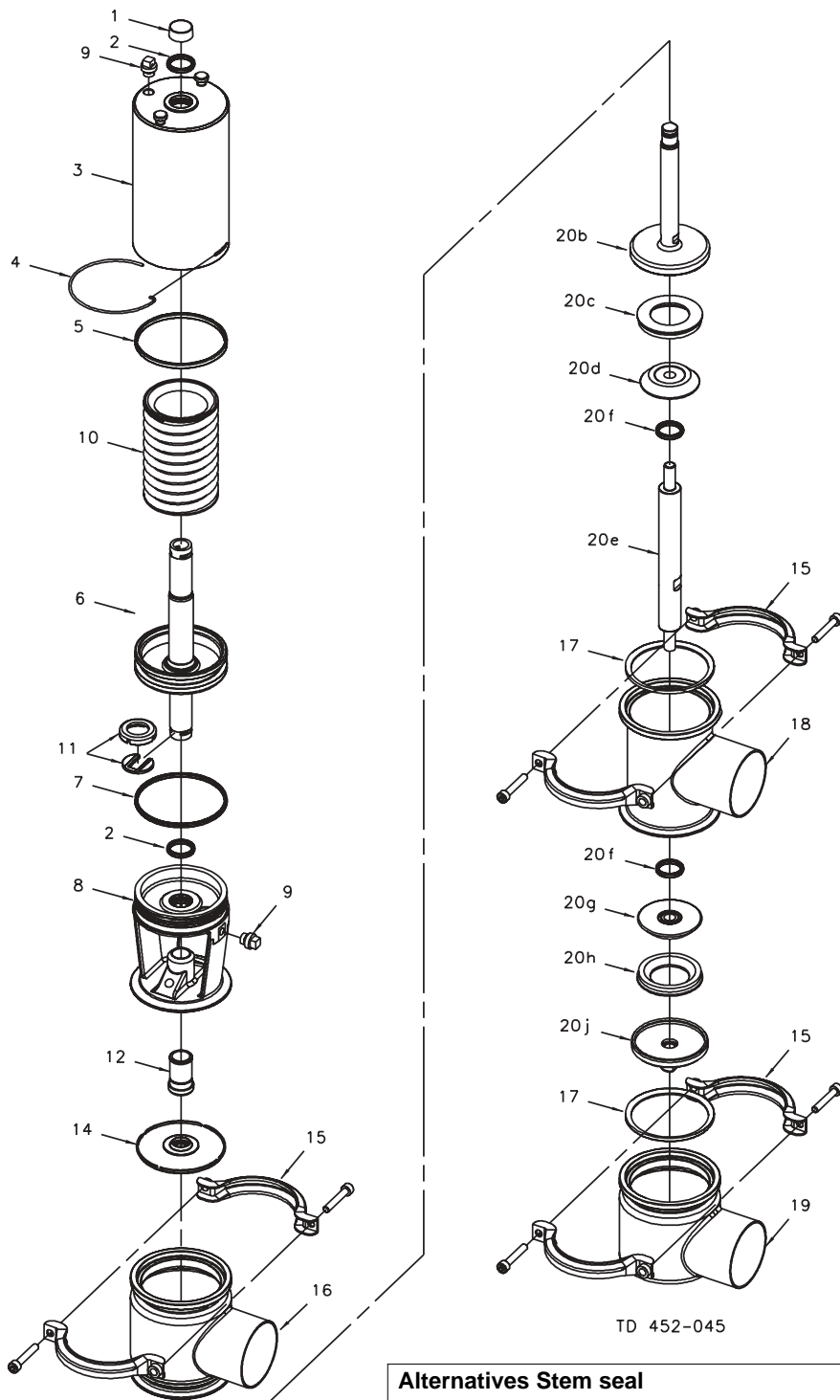
16	1	Valve body, upper, 1 port ISO	9612-6161-03	9612-5778-03	9612-6165-03		9612-5779-03
	1	Valve body, upper, 1 port DN	9612-6162-03	9612-6163-03	9612-6166-03	9612-6166-03	9612-6164-03
16	1	Valve body, upper, 2 ports ISO	9612-6161-04	9612-5778-04	9612-6165-04		9612-5779-04
	1	Valve body, upper, 2 ports DN	9612-6162-04	9612-6163-03		9612-6166-04	9612-6164-04
18	1	Valve body, upper, 1 port ISO	31353-0054-2	31353-0055-2	31353-0056-2		31353-0058-2
	1	Valve body, upper, 1 port DN	9612-0946-03	9612-0947-03		9612-0948-03	9612-0949-03
18	1	Valve body, upper, 2 ports ISO	31353-0054-3	31353-0055-3	31353-0056-3		31353-0058-3
	1	Valve body, upper, 2 ports DN	9612-0946-04	9612-0947-04		9612-0948-04	9612-0949-04
19	1	Valve body, lower, 2 ports ISO	31353-0583-7	31353-0584-7	31353-0585-7		31353-0586-7
	1	Valve body, lower, 2 ports DN	9612-3222-03	9612-3223-03		9612-3224-03	9612-3225-03
19	1	Valve body, lower, 3 ports ISO	31353-0583-8	31353-0584-8	31353-0585-8		31353-0586-8
	1	Valve body, lower, 3 ports DN	9612-3222-04	9612-3223-04		9612-3224-04	9612-3225-04

Valve Plug with 0.8 RA finish

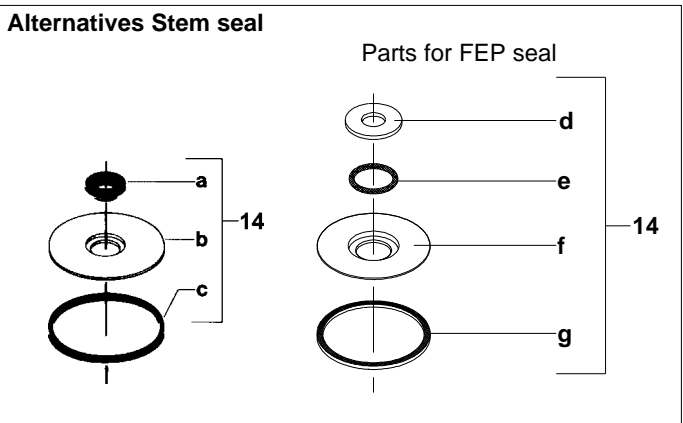
20	1	Plug, complete EPDM (standard)	9612-6498-01	9612-6498-04	9612-6498-07	9612-6498-10	9612-6498-13
	1	Plug, complete NBR	9612-6498-02	9612-6498-05	9612-6498-08	9612-6498-11	9612-6498-14
	1	Plug, complete FPM	9612-6498-03	9612-6498-06	9612-6498-09	9612-6498-12	9612-6498-15
b	1	Stem upper	31353-1007-2	31353-1007-3	31353-1007-4	9612-6298-02	31353-1007-5
d	1	Washer upper	31353-1010-2	31353-1010-3	31353-1010-4	31353-1010-4	31353-1010-5
e	1	Middle stem	9612-5783-06	9612-5783-07	9612-5783-8	9612-5783-09	9612-5783-10
g	1	Washer lower	31353-1010-2	31353-1010-2	31353-1010-4	31353-1010-4	31353-1010-5
j	1	Stem lower	9612-5785-05	9612-5785-06	9612-5785-07	9612-5785-07	9612-5785-08

SRC-RC Change-over Valve 51-101.6 mm/DN50-100

10



TD 452-045



SRC-RC Change-over Valve 51-101.6 mm/DN50-100

Alternatives

Pos.	Qty	Denomination	DN 50 51 mm	DN65 63.5 mm	76 mm	DN 80	DN 100 101.6 mm
Stem seal							
14	1	Lip seal kit, EPDM (standard)	9611-92-0078	9611-92-0078	9611-92-0142	9611-92-0142	9611-92-0142
	1	Lip seal kit, NBR	9611-92-0079	9611-92-0079	9611-92-0143	9611-92-0143	9611-92-0143
	1	Lip seal kit, FPM	9611-92-0080	9611-92-0080	9611-92-0144	9611-92-0144	9611-92-0144
a●	1	Lip seal, EPDM	9612-2806-01	9612-2806-01	9612-3088-01	9612-3088-01	9612-3088-01
	1	Lip seal, NBR	9612-2806-02	9612-2806-02	9612-3088-02	9612-3088-02	9612-3088-02
	1	Lip seal, FPM	9612-2806-03	9612-2806-03	9612-3088-03	9612-3088-03	9612-3088-03
b	1	Plate	9612-2805-01	9612-2805-01	9612-3087-01	9612-3087-01	9612-3087-01
c●	1	Seal ring, EPDM	31353-0128-1	31353-0128-1	31353-0205-1	31353-0205-1	31353-0205-1
	1	Seal ring, NBR	31353-0128-2	31353-0128-2	31353-0205-2	31353-0205-2	31353-0205-2
	1	Seal ring, FPM	31353-0128-3	31353-0128-3	31353-0205-3	31353-0205-3	31353-0205-3
Stem seal							
14d	1	Washer	31353-0452-1	31353-0452-1	31353-0452-2	31353-0452-2	31353-0452-2
e●	1	O-ring FEP/Silicone	9611-99-2909	9611-99-2909	9611-99-2910	9611-99-2910	9611-99-2910
f	1	Plate	31353-0453-1	31353-0453-1	31353-0454-1	31353-0454-1	31353-0454-1
g●	1	Valve body packing	31353-0451-1	31353-0451-1	31353-0451-2	31353-0451-2	31353-0451-2
Service kits special lip seals (marked ●)							
●		Service kit EPDM	9611-92-0949	9611-92-0953	9611-92-0957	9611-92-0961	9611-92-0965
●		Service kit NBR	9611-92-0950	9611-92-0954	9611-92-0958	9611-92-0962	9611-92-0966
●		Service kit FPM	9611-92-0951	9611-92-0955	9611-92-0959	9611-92-0963	9611-92-0967
●		Service kit FEP	9611-92-0952	9611-92-0956	9611-92-0960	9611-92-0964	9611-92-0968

Recommended spare parts: Service kits.

The information contained herein is correct at the time of issue but may be subject to change without prior notice.