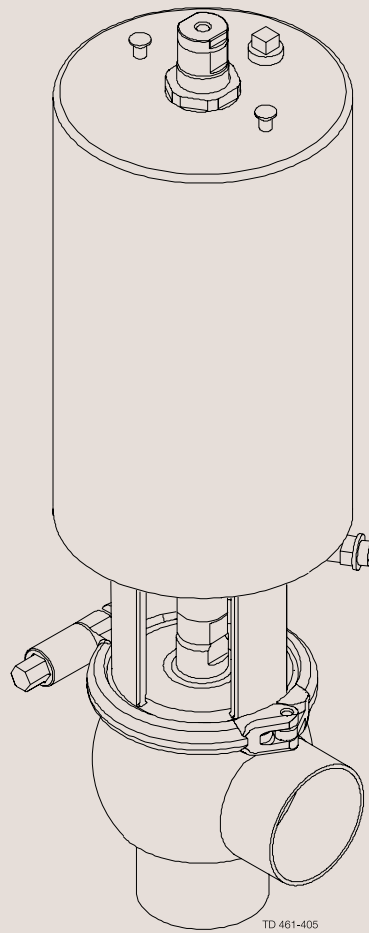
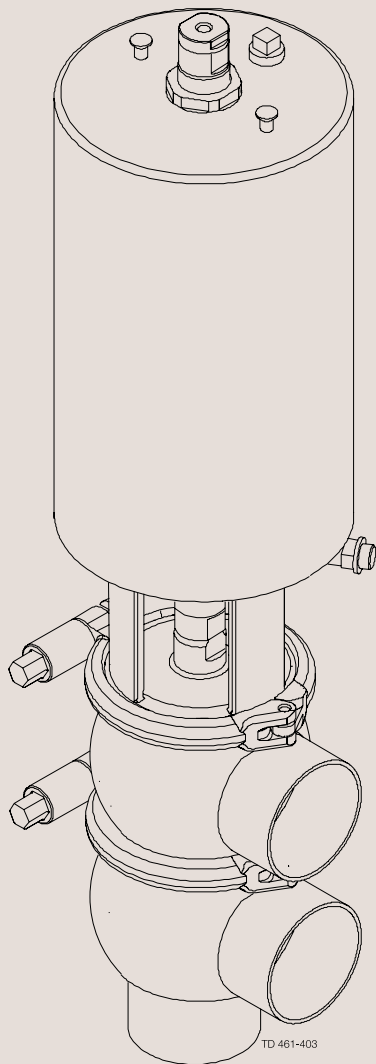




# Instruction Manual

## *Unique Single Seat Valve - Long Stroke*





# Declaration of Conformity

---

The designating company

**Alfa Laval**

Company Name

**Albuen 31, DK-6000 Kolding, Denmark**

Address

**+45 79 32 22 00**

Phone No.

hereby declare that

**Sanitary Unique Single Seat Valve**

Denomination

**Long Stroke**

Type

**2006**

Year

is in conformity with the following directive:

- Machinery Directive 98/37/EEC
- Pressure Equipment Directive 97/23/EC category 1 and subjected to assessment procedure Module A.

**Manager, Product Centres,  
Compact Heat Exchangers & Fluid Handling**

Title

**Bjarne Søndergaard**

Name

**Alfa Laval Kolding**

Company



Signature

---

Designation





---

The information contained herein is correct at the time of issue but may be subject to change without prior notice.

|   |           |
|---|-----------|
| <b>1. Safety .....</b>                                  | <b>6</b>  |
| 1.1 Important information.....                          | 6         |
| 1.2 Warning signs .....                                 | 6         |
| 1.3 Safety precautions .....                            | 7         |
| <br>  |           |
| <b>2. Installation .....</b>                            | <b>8</b>  |
| 2.1. Unpacking/Delivery .....                           | 8         |
| 2.2. General installation.....                          | 9         |
| 2.3. Welding.....                                       | 10        |
| <br>  |           |
| <b>3. Operation .....</b>                               | <b>11</b> |
| 3.1 Operation.....                                      | 11        |
| 3.2 Trouble shooting .....                              | 13        |
| 3.3 Recommended cleaning .....                          | 14        |
| <br>  |           |
| <b>4. Maintenance .....</b>                             | <b>16</b> |
| 4.1 General maintenance .....                           | 16        |
| 4.2 Dismantling of valve .....                          | 18        |
| 4.3 Plug seal replacement.....                          | 19        |
| 4.4 Assembly of valve .....                             | 19        |
| 4.5 Actuator bushing replacement .....                  | 19        |
| <br>  |           |
| <b>5. Technical data.....</b>                           | <b>20</b> |
| 5.1 Technical data.....                                 | 20        |
| <br>  |           |
| <b>6. Parts List and Service Kits.....</b>              | <b>21</b> |
| 6.1 <i>Unique</i> Single Seat Valve - Long Stroke ..... | 21        |

## 1.1 Important information

### 1.2 Warning signs

---

*Unsafe practices and other important information are emphasized in this manual.  
Warnings are emphasized by means of special signs.*

---

**Always read the manual before using the valve!**

#### **WARNING!**

Indicates that special procedures **must** be followed to avoid severe personal injury.

#### **CAUTION!**

Indicates that special procedures **must** be followed to avoid damage to the valve.

#### **NOTE!**

Indicates important information to simplify or clarify practices.

---

General warning:



Caustic agents:



---

All warnings in the manual are summarized on this page.

Pay special attention to the instructions below so that severe personal injury and/or damage to the valve are avoided.

---

#### Installation

- **Always** read the technical data thoroughly (see chapter 5).
- **Always** release compressed air after use.
- **Never** touch the moving parts if the actuator is supplied with compressed air.
- **Never** touch the valve or the pipelines when processing hot liquids or when sterilizing.
- **Never** dismantle the valve with valve and pipelines under pressure.
- **Never** dismantle the valve when it is hot.



#### Operation

- **Never** dismantle the valve with valve and pipelines under pressure.
- **Never** dismantle the valve when it is hot.
- **Always** read the technical data thoroughly (see chapter 5).
- **Always** release compressed air after use.
- **Never** touch the valve or the pipelines when processing hot liquids or when sterilizing.
- **Never** touch the moving parts if the actuator is supplied with compressed air.
- **Always** rinse well with clean water after the cleaning.



**Always** handle lye and acid with great care.



#### Maintenance

- **Always** read the technical data thoroughly (see chapter 5).
- **Always** release compressed air after use.
- **Never** service the valve when it is hot.
- **Never** service the valve with valve and pipelines under pressure.
- **Never** stick your fingers through the valve ports if the actuator is supplied with compressed air.
- **Never** touch the moving parts if the actuator is supplied with compressed air.



The instruction manual is part of the delivery. Study the instructions carefully.  
 The items refer to parts list and service kits section.  
 The valve is supplied as separate parts as standard (for welding).  
 The valve is assembled before delivery, if it is supplied with fittings.

**Step 1**

**CAUTION!**

Alfa Laval cannot be held responsible for incorrect unpacking.

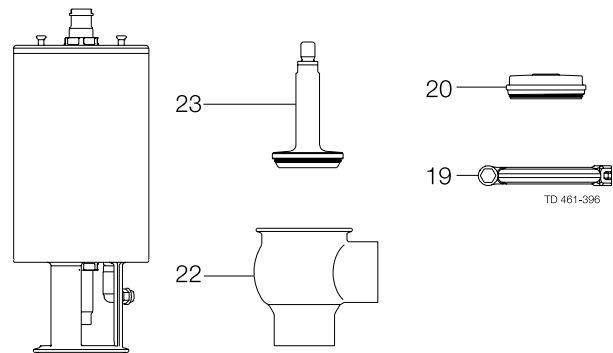
Check the delivery for:

1. Complete valve, shut off valve or change-over valve (see steps 2a, 2b).
2. Delivery note.
3. Instruction Manual.

**2a**

**Shut-off valve:**

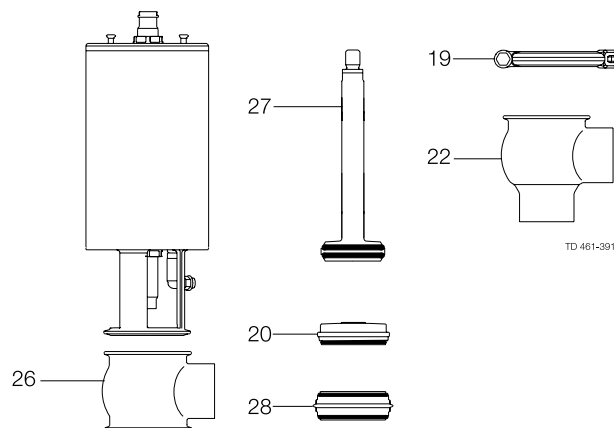
1. Complete actuator.
2. Bonnet (20).
3. Clamp (19).
4. Valve plug (23).
5. Valve body (22).



**2b**

**Change-over valve:**

1. Complete actuator.
2. Bonnet (20).
3. 2 x clamp (19).
4. Valve plug (27).
5. Lower valve body (22).
6. Valve seat (28).
7. Upper valve body (26).



**Step 3**

Remove possible packing materials from the valve/valve parts.  
 Inspect the valve/valve parts for visible transport damages.  
 Avoid damaging the valve/valve parts.



Study the instructions carefully and pay special attention to the warnings!  
 The valve has welding ends as standard but can also be supplied with fittings.

**Step 1**



- **Always** read the technical data thoroughly (see chapter 5).
- **Always** release compressed air after use.

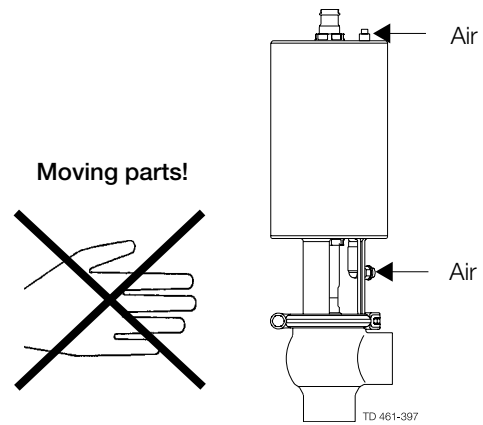
**CAUTION!**

Alfa Laval cannot be held responsible for incorrect installation.

**Step 2**

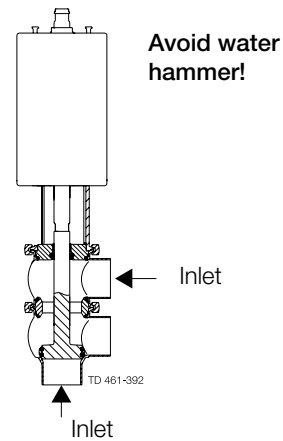


**Never** touch the moving parts if the actuator is supplied with compressed air.



**Step 3**

It is recommended to install the valve so that the flow is against the closing direction to avoid water hammer.

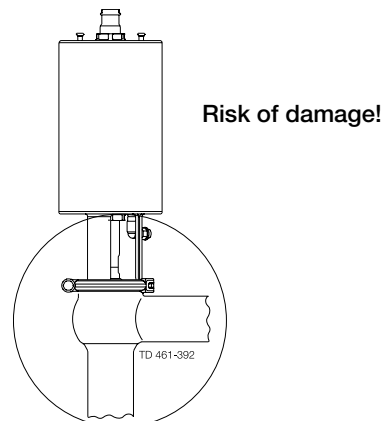


**Step 4**

Avoid stressing the valve.

**Pay special attention to:**

- Vibrations.
- Thermal expansion of the pipelines.
- Excessive welding.
- Overloading of the pipelines.



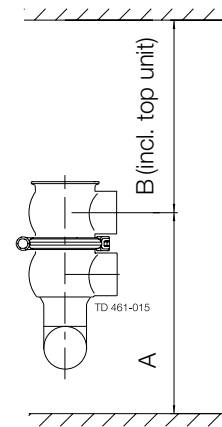
Study the instructions carefully.  
 The valve is supplied as separate parts to facilitate the welding.  
 The items refer to the parts list and service kits section.  
 Check the valve for smooth operation after welding.

**Step 1**

**Always** install valves with more than one valve body so that the seals between the valve bodies can be replaced. Do not weld more than one valve body into the system.

| Valve size     | A (mm) | B (mm) |
|----------------|--------|--------|
| DN25/25 mm     | *      | 630    |
| DN40/38 mm     | *      | 700    |
| DN50/51 mm     | *      | 750    |
| DN65/63.5 mm   | *      | 740    |
| DN80/76.1 mm   | *      | 800    |
| DN100/101.6 mm | *      | 790    |

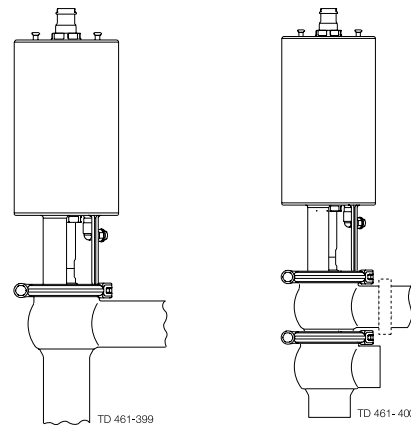
\* Depending on body combination and piping solution.



**Step 2**

Assemble the valve in accordance with the steps in section 4.4.

**Pay special attention to the warnings!**

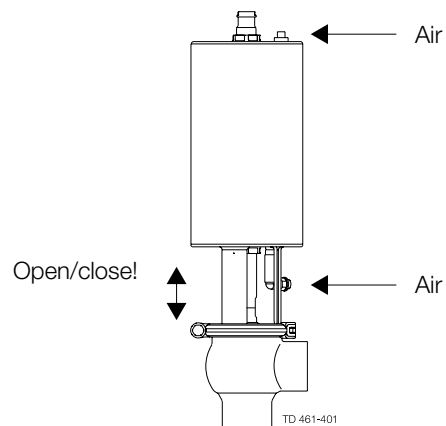


**Step 3**

**Pre-use check:**

1. Supply compressed air to the actuator.
2. Open and close the valve several times to ensure that it operates smoothly.

**Pay special attention to the warnings!**



Study the instructions carefully and pay special attention to the warnings!  
 Ensure that the valve operates smoothly.  
 The items refer to the parts list and service kits section.

**Step 1**



- **Always** read the technical data thoroughly (see chapter 5).
- **Always** release compressed air after use.

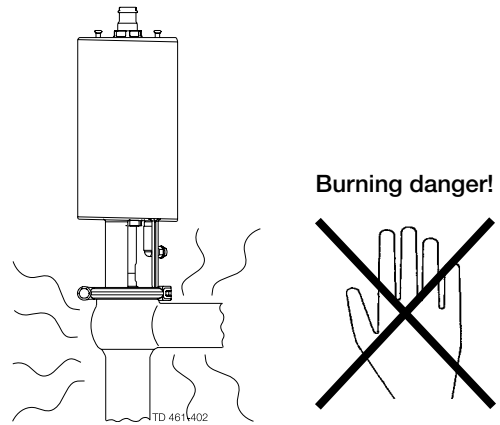
**CAUTION!**

Alfa Laval cannot be held responsible for incorrect operation.

**Step 2**



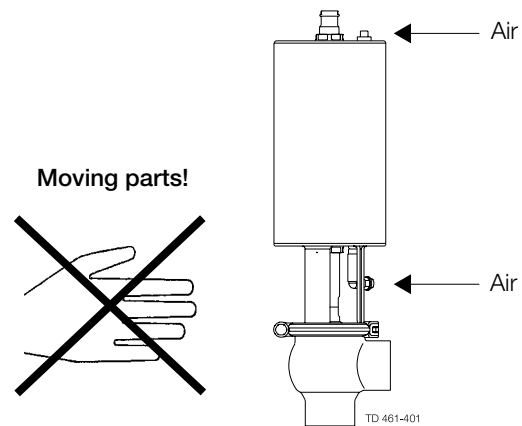
**Never** touch the valve or the pipelines when processing hot liquids or when sterilizing.



**Step 3**



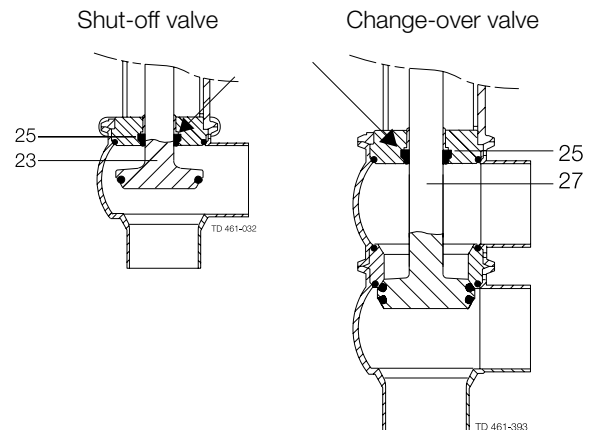
**Never** touch the moving parts if the actuator is supplied with compressed air.



**Step 4**

**Lubrication of valves:**

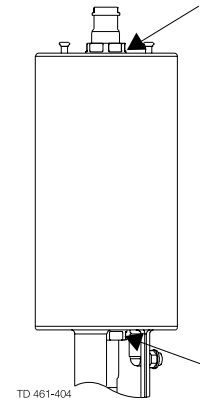
1. Ensure smooth movement between lip seal (25) and plug stem (23, 27).
2. Lubricate with Klüber Paraliq GTE 703 if necessary. (see section 4.1)



---

**Step 5****Lubrication of actuator**

1. Ensure smooth movement of the actuator (the actuator is lubricated before delivery).
2. Lubricate with Molykote Longterm 2 plus if necessary.



TD 461-404

*Pay attention to possible faults. Study the instructions carefully.  
The items refer to the parts list and service kits section*

**NOTE!**

Study the maintenance instructions carefully before replacing worn parts. - See section 4.1!

| Problem                       | Cause/result  | Repair   |
|-------------------------------|---|--|
| External product leakage      | Worn or product affected lip seal and/or O-ring   | <ul style="list-style-type: none"> <li>- Replace the seals</li> <li>- Replace with seals of a different rubber grade</li> </ul>  |
| Internal product leakage      | <ul style="list-style-type: none"> <li>- Worn or product affected plug seal</li> <li>- Product deposits on the seat and/or plug</li> <li>- Product pressure exceeds actuator specification</li> </ul> | <ul style="list-style-type: none"> <li>- Replace the seal</li> <li>- Replace with a seal of a different rubber grade</li> <li>- Frequent cleaning</li> <li>- Replace with a high pressure actuator</li> <li>- Use auxiliary air on the spring side</li> <li>- Reduce product pressure</li> </ul> |
| Water hammer                  | The flow direction is the same as the closing direction   | <ul style="list-style-type: none"> <li>- The flow direction should be against the closing direction</li> <li>- Throttle air release of solenoid in top unit</li> </ul>   |
| The valve does not open/close | <ul style="list-style-type: none"> <li>- Product pressure exceeds actuator specification</li> </ul>   | <ul style="list-style-type: none"> <li>- Replace with a high pressure actuator</li> <li>- Use auxiliary air on the spring side</li> <li>- Reduce product pressure</li> </ul>   |

The valve is designed for cleaning in place (CIP). CIP = Cleaning In Place.  
 Study the instructions carefully and pay special attention to the warnings!  
 NaOH = Caustic Soda.  
 HNO<sub>3</sub> = Nitric acid.

**Step 1**



**Always** handle lye and acid with great care.

**Caustic danger!**



**Always** use rubber gloves!

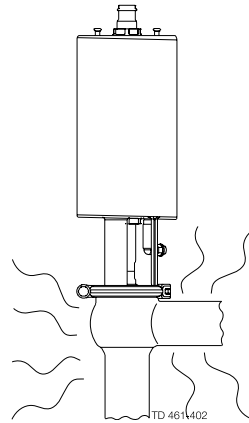


**Always** use protective goggles!

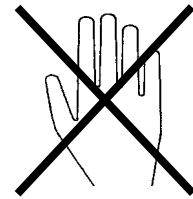
**Step 2**



**Never** touch the valve or the pipelines when sterilizing.



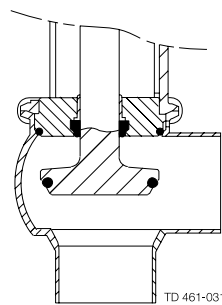
**Burning danger!**



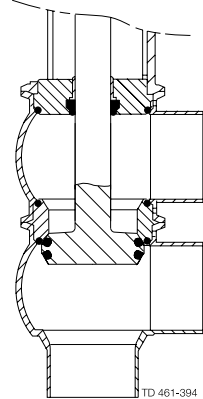
**Step 3**

Clean the plug and the seats correctly.  
**Pay special attention to the warnings!**  
**Lift and lower valve plug momentarily!**

Shut-off valve



Change-over valve



**Step 4**

**Examples of cleaning agents:**

Use clean water, free from chlorides.

1. 1% by weight NaOH at 70° C

|           |   |             |                  |
|-----------|---|-------------|------------------|
| 1 kg NaOH | + | 100 l water | = Cleaning agent |
|-----------|---|-------------|------------------|

|                |   |             |                  |
|----------------|---|-------------|------------------|
| 2.2 l 33% NaOH | + | 100 l water | = Cleaning agent |
|----------------|---|-------------|------------------|

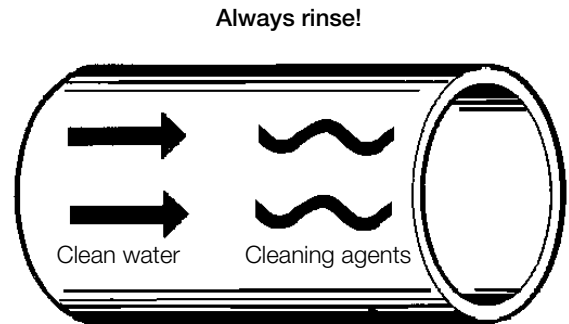
2. 0.5% by weight HNO<sub>3</sub> at 70° C

|                            |   |             |                  |
|----------------------------|---|-------------|------------------|
| 0.7 l 53% HNO <sub>3</sub> | + | 100 l water | = Cleaning agent |
|----------------------------|---|-------------|------------------|

Step 5



1. Avoid excessive concentration of the cleaning agent
2. Adjust the cleaning flow to the process
3. **Always** rinse well with clean water after the cleaning.



Step 6

**NOTE!**

The cleaning agents must be stored/disposed of in accordance with current rules/directives.

Maintain the valve regularly.

Study the instructions carefully and pay special attention to the warnings!

Always keep spare rubber seals and lip seals in stock.

**Step 1**



- **Always** read the technical data thoroughly (see chapter 5).
- **Always** release the compressed air after use.

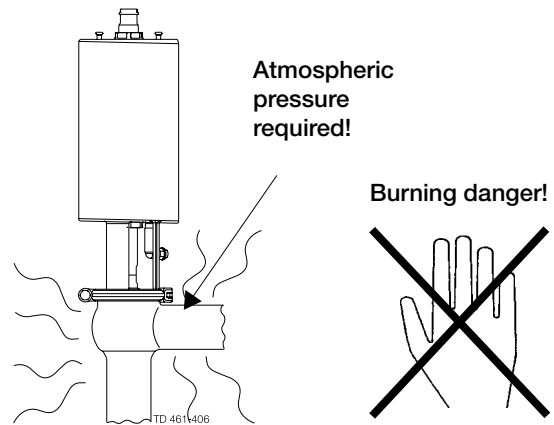
**CAUTION!**

All scrap must be stored/disposed of in accordance with current rules/directives.

**Step 2**



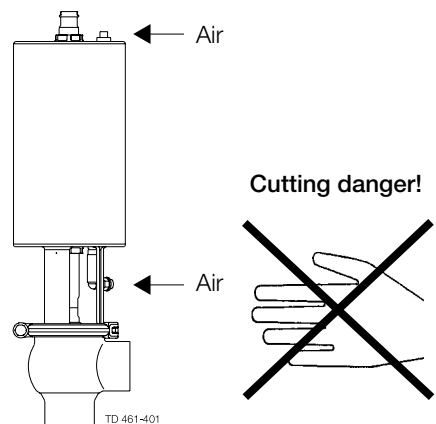
- **Never** service the valve when it is hot.
- **Never** service the valve with valve and pipelines under pressure.



**Step 3**



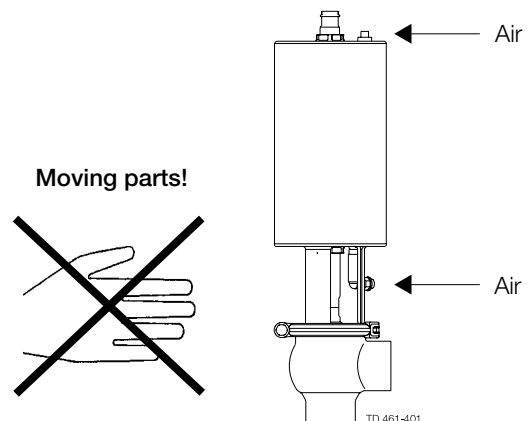
**Never** stick your fingers through the valve ports if the actuator is supplied with compressed air.



**Step 4**



**Never** touch the moving parts if the actuator is supplied with compressed air.





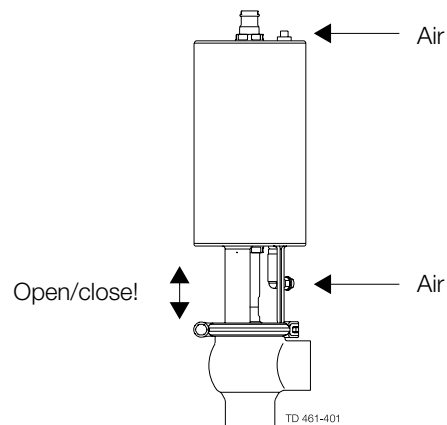
Maintain the valve regularly.  
 Study the instructions carefully.  
 Always keep spare rubber seals and lip seals stock.  
 Check the valve for smooth operation after service.

Below are some guidelines for maintenance and lubrication intervals. Please note that the guidelines are for normal working conditions in one shift.

|  | Product wetted seals   | Actuator bushings complete  |
|--|--|---|
| Preventive maintenance                                     | Replace after 12 months depending on working conditions  | Replace after 5 years depending on working conditions   |
| Maintenance after leakage (leakage normally starts slowly) | Replace at the end of the day  | Replace when possible   |
| Planned maintenance  | <ul style="list-style-type: none"> <li>- Regular inspection for leakage and smooth operation</li> <li>- Keep a record of the valve</li> <li>- Use the statistics for planning of inspections</li> </ul> <b>Replace after leakage</b> | <ul style="list-style-type: none"> <li>- Regular inspection for leakage and smooth operation</li> <li>- Keep a record of the actuator</li> <li>- Use the statistics for planning of inspections</li> </ul> <b>Replace after leakage</b> |
| Lubrication  | <b>Before fitting</b><br>Klüber Paraliq GTE 703 or similar USDA H1 approved oil/grease   | <b>Before fitting</b><br>Molykote Longterm 2 plus   |

**Pre-use check:**

1. Supply compressed air to the actuator.
  2. Open and close the valve several times to ensure that it operates smoothly.
- Pay special attention to the warnings!**



**Recommended spare parts**

Service kits (see chapter 6)

Study the instructions carefully. The items refer to the parts list and service kits section. Handle scrap correctly.

NC = Normally closed.

NO = Normally open.

A/A = Air/air activated.

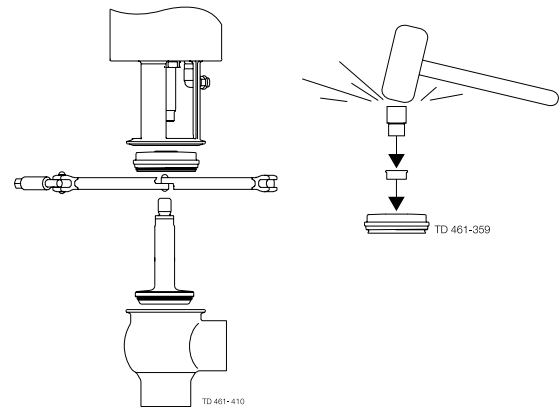
### Step 1a

#### Shut-off valve:

1. Supply compressed air to the actuator (only NC).
2. Loosen and remove clamp.
3. Release compressed air (only NC).
4. Lift away the actuator.
5. Unscrew and remove valve plug.
6. Remove O-ring, lip seal and bushing in bonnet.  
(Use bushing tool and rubber mallet).

**Pay special attention to the warnings!**

**Note!** For plug seal replacement please see section 4.3.



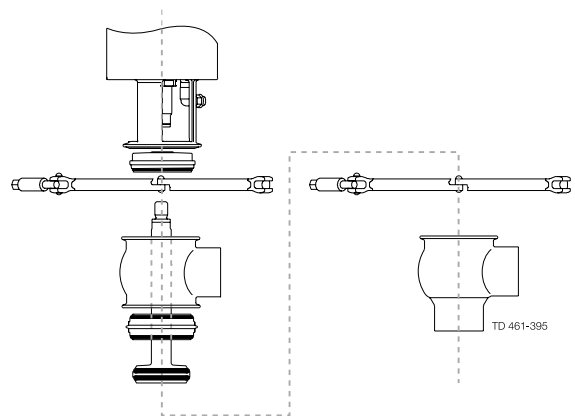
### Step 1b

#### Change-over valve:

1. Supply compressed air to the actuator (only NC).
2. Loosen and remove lower clamp.
3. Release compressed air (only NC).
4. Lift away the actuator and upper valve body.
5. Supply compressed air to the actuator (only NO).
6. Unscrew and remove valve plug.
7. Release compressed air (only NO).
8. Remove seat and O-rings.
9. Loosen and remove upper clamp.
10. Remove upper valve body.
11. Remove O-ring, lip seal and bushing in bonnet.  
(Use bushing tool and rubber mallet. See drawing, step 1a).

**Pay special attention to the warnings!**

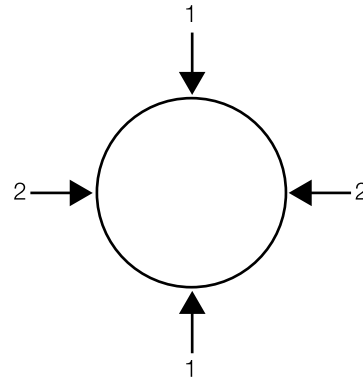
**Note!** For plug seal replacement please see section 4.3.



---

**4.3 Plug seal replacement**

1. Remove old seal ring using a knife, screwdriver or similar.  
Be careful not to damage metal parts.
2. Pre-mount plug seal without pressing it into the groove.
3. Squeeze plug seal into the groove using opposite pressure points.
4. Release compressed air behind plug seal.



---

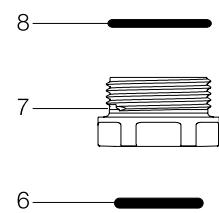
**4.4 Assembly of valve**

- Reverse order of 4.2, Dismantling of valve.  
Lubricate O-ring (21) and lip seal (25) with Klüber Paraliq GTE 703.

---

**4.5 Actuator bushing replacement**

1. Unscrew and remove top and bottom bushings with O-rings.
2. Lubricate O-rings with Molykote Longterm 2 plus before fitting.
3. Fit bushings and O-rings. Be careful not to overtighten.



TD 461-310

*It is important to observe the technical data during installation, operation and maintenance.  
Inform the personnel about the technical data.*

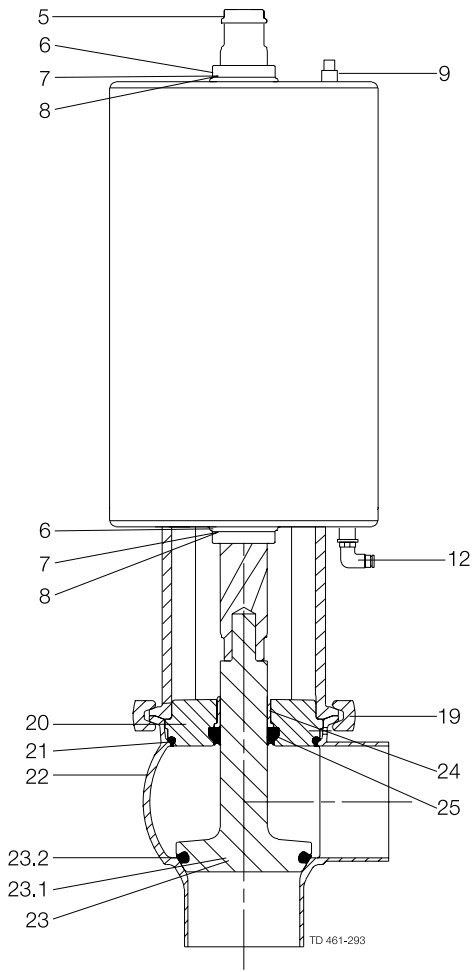
#### Data - valve/actuator

|                              |   |
|------------------------------|---|
| Max. product pressure.....   | 1000 kPa (10 bar)                                 |
| Min. product pressure.....   | Full vacuum (depending on product specifications) |
| Temperature range .....      | -10° C to + 140° C (standard EPDM seal)           |
| Air pressure, actuator ..... | 500 to 700 kPa (5 to 7 bar)                       |

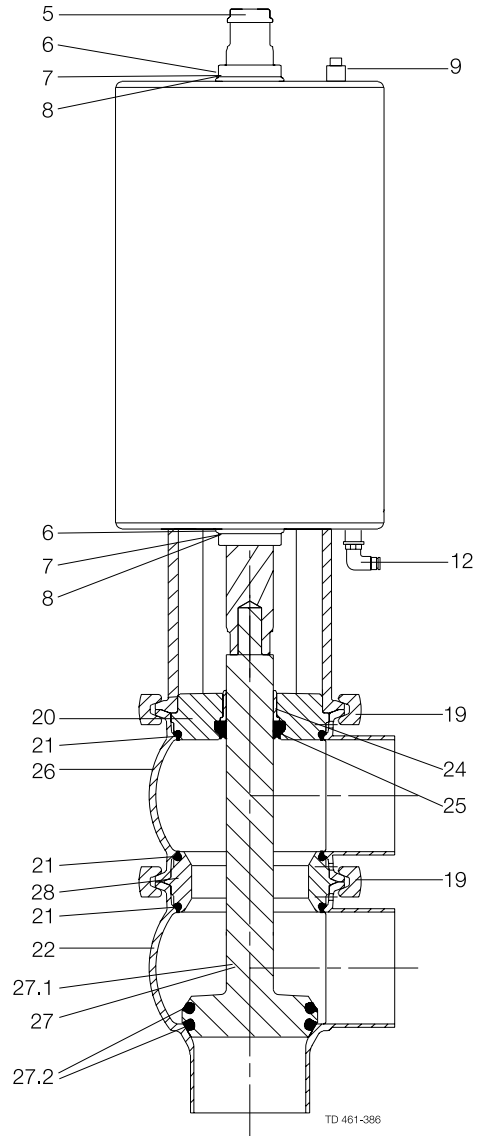
#### Materials - valve/actuator

|                                     |                                      |
|-------------------------------------|--------------------------------------|
| Product wetted steel parts.....     | 1.4404 (316L) (internal Ra < 0.8 µm) |
| Other steel parts .....             | 1.4301 (304)                         |
| Plug seal.....                      | EPDM / PTFE (TR2)                    |
| Other product wetted seals .....    | EPDM (standard)                      |
| Optional product wetted seals ..... | HNBR and FPM                         |
| Other seals .....                   | NBR                                  |

For parts lists please see section 6.1. The drawings include all items.



Shut-off valve



Change-over valve

**6.1 Unique Single Seat Valve - Long Stroke - Shut-off**  
**DN/OD 25 mm/DN25 - DN/OD 101.6 mm/DN100**

6. Parts list and Service Kits

The parts list includes all items.

| Parts List |      |                            | Service Kits                           |              |
|------------|------|----------------------------|--|--------------|
| Pos.       | Qty. | Denomination               | Denomination                           | Item number  |
|            |      | Actuator, complete         | <b>Product wetted parts (Shut-off)</b> |              |
| 5          | 1    | Adapter                    |  |              |
| 6 ●        | 2    | Bushing                    | Service kit, actuator .....            | 9611-92-6500 |
| 7 ●        | 2    | O-ring                     | <b>DN/OD 25 mm / DN 25</b>             |              |
| 8 ●        | 2    | O-ring                     | EPDM.....                              | 9611-92-6501 |
| 9          | 1    | Plug                       | HNBR .....                             | 9611-92-6507 |
| 12         | 1(2) | Air fitting                | FPM .....                              | 9611-92-6513 |
| 19         | 1    | Clamp                      | <b>DN/OD 38 mm / DN 40</b>             |              |
| 20         | 1    | Bonnet                     | EPDM.....                              | 9611-92-6502 |
| 21 Δ       | 1    | O-ring                     | HNBR.....                              | 9611-92-6508 |
| 24 Δ       | 1    | Bushing                    | FPM .....                              | 9611-92-6514 |
| 25 Δ       | 1    | Lip seal                   | <b>DN/OD 51 mm / DN 50</b>             |              |
| 22         | 1    | Valve body, lower, 2 ports | EPDM.....                              | 9611-92-6503 |
| 22         | 1    | Valve body, lower, 3 ports | HNBR.....                              | 9611-92-6509 |
| 23         | 1    | Plug, shut-off, complete   | FPM .....                              | 9611-92-6515 |
| 23.1       | 1    | Plug, shut-off             | <b>DN/OD 63.5 mm / DN 65</b>           |              |
| 23.2 Δ     | 1    | Plug seal                  | EPDM.....                              | 9611-92-6504 |
|            |      |                            | HNBR.....                              | 9611-92-6510 |
|            |      |                            | FPM .....                              | 9611-92-6516 |
|            |      |                            | <b>DN/OD 76.1 mm / DN 80</b>           |              |
|            |      |                            | EPDM.....                              | 9611-92-6505 |
|            |      |                            | HNBR.....                              | 9611-92-6511 |
|            |      |                            | FPM .....                              | 9611-92-6517 |
|            |      |                            | <b>DN/OD 101.6 mm / DN 100</b>         |              |
|            |      |                            | EPDM.....                              | 9611-92-6506 |
|            |      |                            | HNBR.....                              | 9611-92-6512 |
|            |      |                            | FPM .....                              | 9611-92-6518 |

●: Service kits - Actuator

Δ: Service kits - EPDM

Δ: Service kits - HNBR

Δ: Service kits - FPM

The parts list includes all items.

| Parts List |      |                              | Service Kits                              |              |
|------------|------|------------------------------|---|--------------|
| Pos.       | Qty. | Denomination                 | Denomination                              | Item number  |
|            |      | Actuator, complete           | <b>Product wetted parts (Change-over)</b> |              |
| 5          | 1    | Adapter                      |   |              |
| 6 ●        | 2    | Bushing                      | Service kit, actuator .....               | 9611-92-6500 |
| 7 ●        | 2    | O-ring                       |   |              |
| 8 ●        | 2    | O-ring                       |   |              |
| 9          | 1    | Plug                         | <b>DN/OD 25 mm / DN 25</b>                |              |
| 12         | 1(2) | Air fitting                  | EPDM.....                                 | 9611-92-6579 |
| 19         | 2    | Clamp                        | HNBR .....                                | 9611-92-6585 |
| 20         | 1    | Bonnet                       | FPM .....                                 | 9611-92-6591 |
| 21 Δ       | 3    | O-ring                       | <b>DN/OD 38 mm / DN 40</b>                |              |
| 24 Δ       | 1    | Bushing                      | EPDM.....                                 | 9611-92-6580 |
| 25 Δ       | 1    | Lip seal                     | HNBR.....                                 | 9611-92-6586 |
| 28         | 1    | Seat                         | FPM .....                                 | 9611-92-6592 |
| 26         | 1    | Valve body, upper, 1 port    |   |              |
| 26         | 1    | Valve body, upper, 2 ports   | <b>DN/OD 51 mm / DN 50</b>                |              |
| 22         | 1    | Valve body, lower, 2 ports   | EPDM.....                                 | 9611-92-6581 |
| 22         | 1    | Valve body, lower, 3 ports   | HNBR.....                                 | 9611-92-6587 |
| 27         | 1    | Plug, change-over, complete, | FPM .....                                 | 9611-92-6593 |
| 27.1       | 1    | Plug, change-over            |   |              |
| 27.2 Δ     | 2    | Plug seal                    | <b>DN/OD 63.5 mm / DN 65</b>              |              |
|            |      |                              | EPDM.....                                 | 9611-92-6582 |
|            |      |                              | HNBR.....                                 | 9611-92-6588 |
|            |      |                              | FPM .....                                 | 9611-92-6594 |
|            |      |                              | <b>DN/OD 76.1 mm / DN 80</b>              |              |
|            |      |                              | EPDM.....                                 | 9611-92-6583 |
|            |      |                              | HNBR.....                                 | 9611-92-6589 |
|            |      |                              | FPM .....                                 | 9611-92-6595 |
|            |      |                              | <b>DN/OD 101.6 mm / DN 100</b>            |              |
|            |      |                              | EPDM.....                                 | 9611-92-6584 |
|            |      |                              | HNBR.....                                 | 9611-92-6590 |
|            |      |                              | FPM .....                                 | 9611-92-6596 |

●: Service kits - Actuator

Δ: Service kits - EPDM

Δ: Service kits - HNBR

Δ: Service kits - FPM

**How to contact Alfa Laval**

Contact details for all countries are continually updated on our website. Please visit [www.alfalaval.com](http://www.alfalaval.com) to access the information direct.